



Features

- End drain.
- Integral lumbar support and armrests for comfort.
- 72" (1829 mm) x 36" (914 mm) x 20-1/8" (511 mm)

Material

- Acrylic

Hydrotherapy

- Single-speed whirlpool offers six fully adjustable hydro-massage jets for water flow and direction.
- Pump with air switch for whirlpool.
- Multiple pump location options give you more choices for installation and access.

Installation

- Drop-in

Recommended Accessories

- K-1283 Apron
- K-1491 Bath/Whirlpool Pillow
- K-24916 Wireless Music Kit
- K-1601 Bath/Whirlpool Footstop
- K-7213 27" Cable Bath Drain
- K-7214 27" Cable Bath Drain
- K-7265 Clearflo Bath Drain
- K-9696 Whirlpool 6-Jet Trim Kit



Codes/Standards

- ASME A112.19.7/CSA B45.10
- CSA B45.5/IAPMO Z124
- UL 1795
- Greenguard UL 2818 - Gold



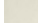
KOHLER® One-Year Limited Warranty

See website for detailed warranty information.

Available Color/Finishes

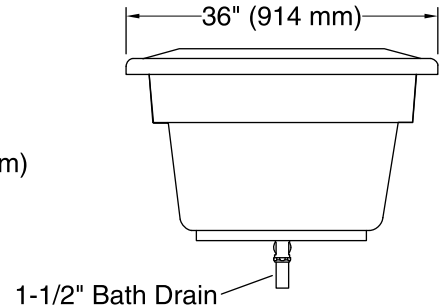
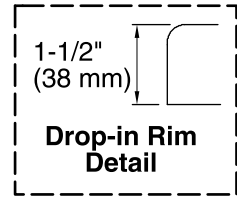
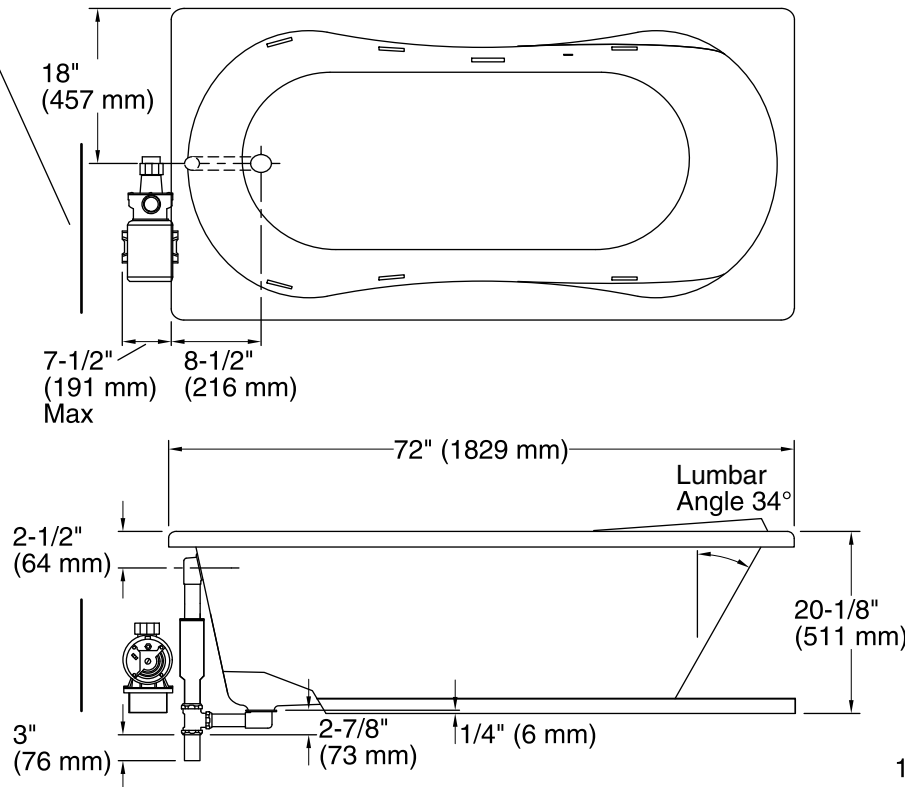
Color tiles intended for reference only.

Color	Code	Description
-------	------	-------------

	0	White
	96	Biscuit
	47	Almond

Pump/Control Access
20" (508 mm) W x 15" (381 mm) H

No change in measurements if connected
with drain illustrated. (K-11677)



Required Electrical Service

One dedicated circuit required, protected with Class A Ground-Fault Circuit-Interrupter (GFCI) or Residual Current Device (RCD).

Pump: 120 V, 15 A, 60 Hz

Technical Information

All product dimensions are nominal.

Installation: Drop-in
 Drain location: End
 Basin area, bottom: 55" x 21" (1397 mm x 533 mm)
 Basin area, top: 65" x 26" (1651 mm x 660 mm)
 Weight: 66 lbs (29.9 kg)
 Minimum floor load: 39 lbs/ft² (190.4 kg/m²)
 Water depth: 15" (381 mm)
 Water capacity: 72 gal (272.5 L)
 Cutout: Drop-in, 70-1/2" x 34-1/2" (1791 mm x 876 mm)
 Electrical component rating: Pump: 120 V, 7.5 A, 60 Hz
 Pump speed: Single
 Minimum flat for door: 2-5/8" (67 mm)

Notes

Measure your actual product for rough-in details.

Install this product according to the installation instructions.

The hot water supply should be 70% of the capacity of the bath or greater. Installations will vary.

Provide one grounded electrical outlet within 24" (610 mm) of each component.