



Features

- End drain.
- 60" (1524 mm) x 40" (1016 mm) x 17-5/8" (448 mm)

Material

- Acrylic

Hydrotherapy

- Pump with air switch for whirlpool.
- Multiple pump location options give you more choices for installation and access.
- Built-in 1500 W heater.
- Single-speed whirlpool offers six fully adjustable hydro-massage jets for water flow and direction.



Installation

- Drop-in

Recommended Accessories

- K-1491 Bath/Whirlpool Pillow
- K-1601 Bath/Whirlpool Footstop
- K-9696 Whirlpool 6-Jet Trim Kit
- K-24916 Wireless Music Kit

Codes/Standards

- ASME A112.19.7/CSA B45.10
- CSA B45.5/IAPMO Z124
- UL 1795
- Greenguard UL 2818 - Gold
- CARB P2




KOHLER® One-Year Limited Warranty

See website for detailed warranty information.

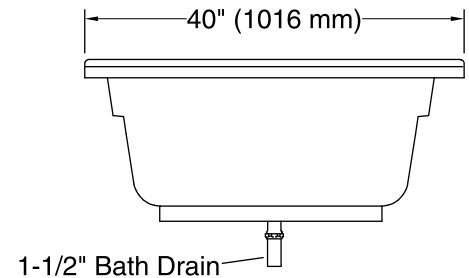
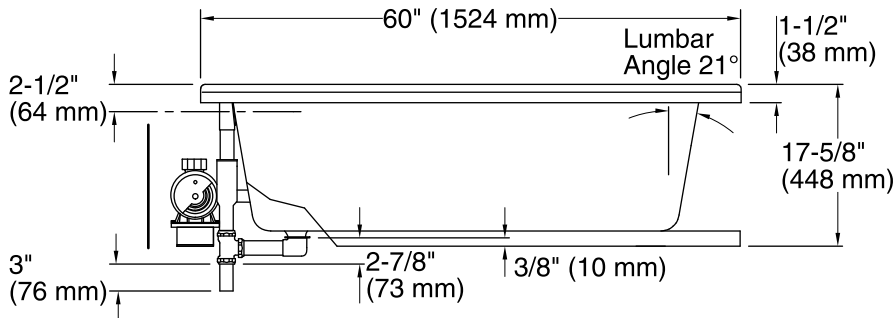
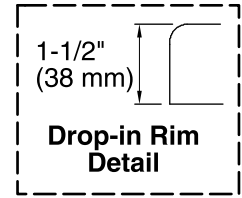
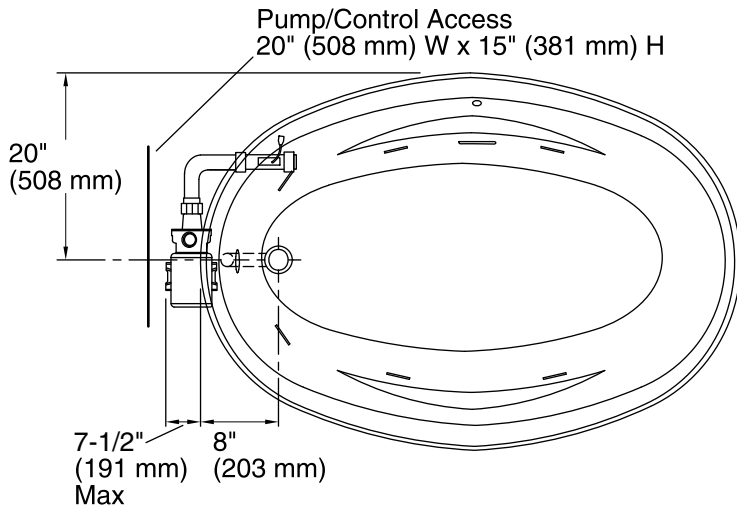
Available Color/Finishes

Color tiles intended for reference only.

Color Code Description

	0	White
	96	Biscuit
	47	Almond

No change in measurements if connected with the drain illustrated. (K-11677)



Required Electrical Service

Two dedicated circuits required, protected with Class A Ground-Fault Circuit-Interrupter (GFCI) or Residual Current Device (RCD).

Pump: 120 V, 15 A, 60 Hz
 Heater: 120 V, 15 A, 60 Hz

Technical Information

All product dimensions are nominal.

Installation: Drop-in
 Drain location: End
 Basin area, bottom: 46" x 19" (1168 mm x 483 mm)
 Basin area, top: 55" x 29" (1397 mm x 737 mm)
 Weight: 61 lbs (27.7 kg)
 Minimum floor load: 33 lbs/ft² (161.1 kg/m²)
 Water depth: 14" (356 mm)
 Water capacity: 54 gal (204.4 L)
 Template: Drop-in, 114859-7, required, included
 Electrical component rating: Pump: 120 V, 7.5 A, 60 Hz
 Heater: 120 V, 12.5 A, 60 Hz, 1500 W
 Pump speed: Single

Notes

Measure your actual product for rough-in details.

Install this product according to the installation instructions.

The hot water supply should be 70% of the capacity of the bath or greater. Installations will vary.

Provide one grounded electrical outlet within 24" (610 mm) of each component.

The suction line extends 1" (25 mm) beyond the edge of the rim. The pump base extends 1-1/8" (29 mm) beyond the edge of the rim. Modify the framing as needed.