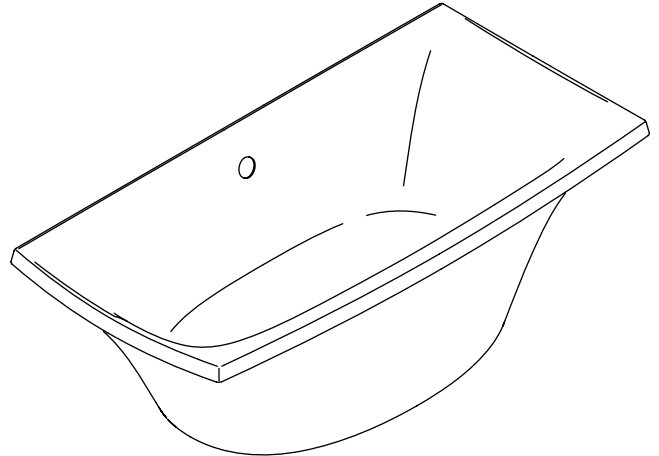


### Features

- Acrylic
- Two-piece design
- Complements the Escale Suite
- Freestanding bath with hole drilling for Symbol™ Roman Bath Filler
- 72" (182.9 cm) x 36" (91.4 cm) x 24-1/8" (61.3 cm)

### FREESTANDING BATH K-11344



### Codes/Standards Applicable

Specified model meets or exceeds the following:

- ANSI Z124.1.2
- CSA B45.0
- CSA B45.5
- ASTM E162
- ASTM E662

### Colors/Finishes

- 0: White
- Other: Refer to Price Book for additional colors/finishes

### Accessories

- 0: White
- CP: Polished Chrome
- Other: Refer to Price Book for additional colors/finishes

### Specified Model

Model	Description	Colors/Finishes	
K-11344	Freestanding bath with hole drilling for Symbol™ Roman floor-mount bath filler	<input type="checkbox"/> 0	<input type="checkbox"/> Other _____
<b>Required Accessories</b>			
K-7219	Bath drain	<input type="checkbox"/> CP	<input type="checkbox"/> Other _____
<b>Recommended Accessories</b>			
K-18486	Symbol™ Roman bath filler with handshower <b>AND</b>	<input type="checkbox"/> CP	<input type="checkbox"/> Other _____
K-18492	Riser tubes	<input type="checkbox"/> CP	<input type="checkbox"/> Other _____
Optional accessories listed on Page 2.			

### Product Specification

The two-piece acrylic bath shall be 72" (182.9 cm) in length, 36" (91.4 cm) in width, and 24-1/8" (61.3 cm) in height. Bath shall complement the Escale Suite. Bath shall be used with floor-mount faucet installation only. Bath shall be for use only with Symbol™ Roman Floor-Mount Bath Filler. Bath shall be Kohler Model K-11344-\_\_\_\_\_.

# ESCALE™

Optional Accessories			
K-1676	Pillow	<input type="checkbox"/> 0	
K-1601	Footstop	<input type="checkbox"/> 0	<input type="checkbox"/> Other_____

## Technical Information

Fixture*:	
Bathing well	
Basin area	46-3/4" (118.7 cm) x 21-5/8" (54.9 cm)
Top area	69-15/16" (177.6 cm) x 34-3/8" (87.3 cm)
To overflow	
Water depth	16-1/2" (42.1 cm)
Capacity	71 gal (268.8 L)
Weight	100 lbs (45.4 kg)
* Approximate measurements for comparison only.	

Included components:	
Cut-out template	1055345-7

Recommended spouts and spout locations\*:

**Area A** – floor-mount installation K-18486 **AND** K-18492

\*Refer to shaded areas in product diagram for recommended installation area locations.

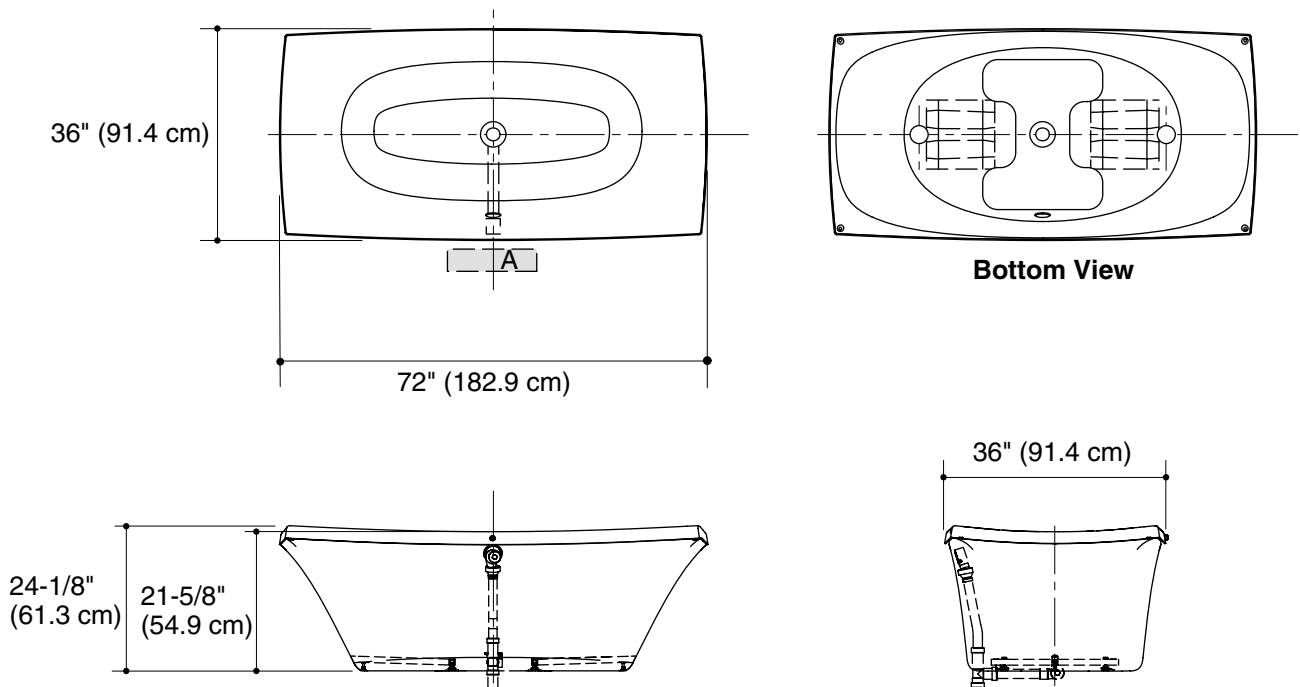
## Installation Notes

Install this product according to the installation guide.

Floor support under bath must provide for a minimum of 43 lbs/square foot (209.9 kg/square meter) loading.

Hot water supply should be 70% of capacity or greater. Installations will vary.

No change in measurements if connected with drain illustrated. (K-7219)



## Product Diagram