



# Caravan® Caxton®

## Under-mount Bathroom Sink

### K-14218-SR1

#### Features

- Vitreous china.
- Under-mount.
- Deep oval basin.
- Without overflow.
- No faucet holes; requires wall- or counter-mount faucet.
- KOHLER Artist Editions designs.
- Caravan® Collection Nepal.
- 17" (432 mm) x 14" (356 mm)

#### Recommended Accessories

K-9018 P-Trap

#### Components

Additional included component/s: 1193643 Basin Clamps.



ADA

#### Codes/Standards

ASME A112.19.2/CSA B45.1

ADA

ICC/ANSI A117.1

#### KOHLER® One-Year Limited Warranty

See website for detailed warranty information.

#### Available Color/Finishes

*Color tiles intended for reference only.*

| Color | Code | Description |
|-------|------|-------------|
|-------|------|-------------|

|  |    |                  |
|--|----|------------------|
|  | K7 | Translucent Blue |
|--|----|------------------|

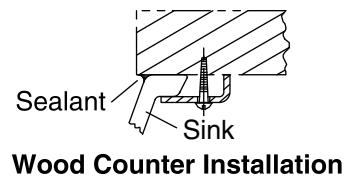
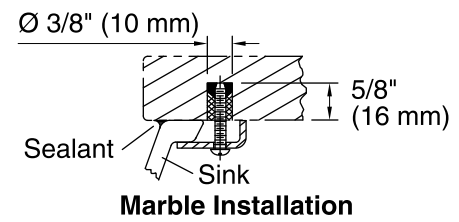
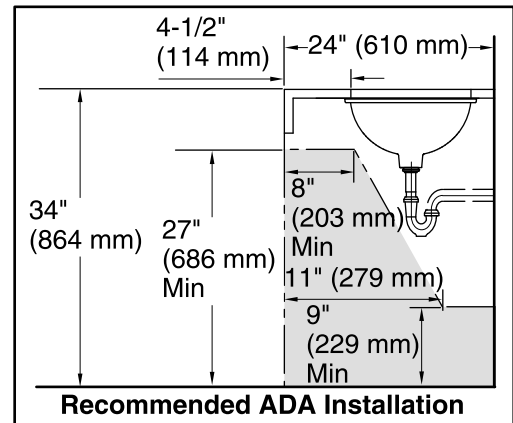
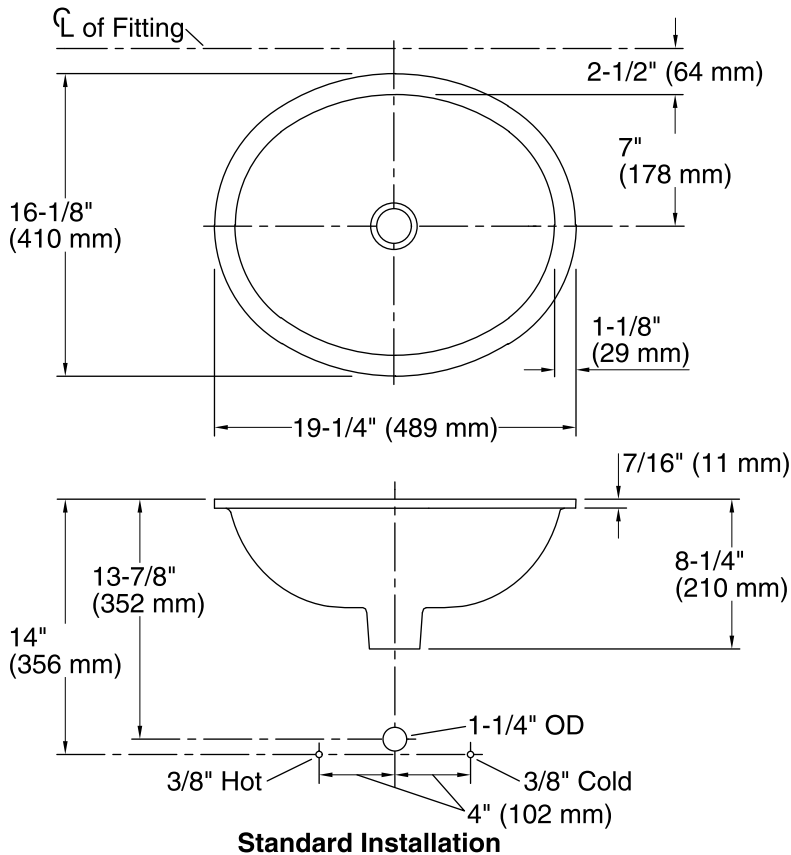
USA/Canada: 1-800-4KOHLER (1-800-456-4537)

Kohler Co. reserves the right to make revisions without notice to product specifications.

For the most current Specification Sheet, go to [www.kohler.com](http://www.kohler.com).

3-7-2017 05:40

THE BOLD LOOK  
OF **KOHLER**®



### Technical Information

All product dimensions are nominal.

|                     |   |
|---------------------|---|
| Bowl configuration: | Single  |
| Installation:       | Under-mount   |
| Bowl area (Only)    | Length: 17" (432 mm)<br>Width: 14" (356 mm)<br>Water depth: 6-3/8" (162 mm) |
| Drain hole:         | 1-3/4" (44 mm)  |
| Template:           | 1151011-7, required, included   |

### Notes

Install this product according to the installation instructions.

**NOTICE:** Countertop manufacturer or cutter must use the cut-out template provided with the product, or a current one provided by Kohler Co. (call 1-800-4-KOHLER). Kohler Co. is not responsible for cutout errors when the incorrect cut-out template is used.

ADA compliant when installed to the specific requirements of these regulations.