

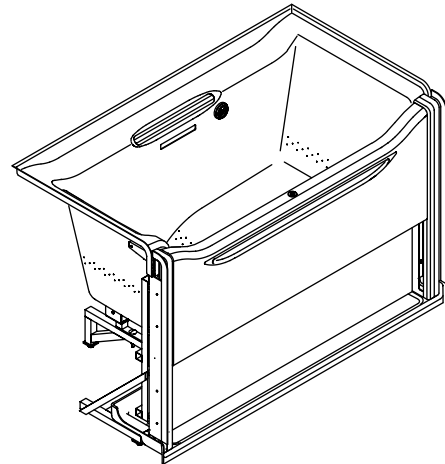
## ELEVANCE™ RISING WALL

### 5' (1.5 m) BUBBLEMASSAGE™ BATH K-1914

ADA

#### Features

- Acrylic construction with a removable door for remodeling
- Blower motor with 300 W heater and electronic user control, supplied with a grounding-type plug-in cord
- 59 BubbleMassage™ airjets
- Door glides on a track system with a counterbalance system to make it lightweight
- 60-1/4" (153 cm) x 33-1/2" (85.1 cm) x 38" (96.5 cm)



#### Codes/Standards Applicable

Specified model meets or exceeds the following:

- ADA
- ICC/ANSI A117.1
- ASME A112.19.15
- ASME A112.19.7
- CSA B45
- ANSI Z124.1.2
- UL 1795

#### Colors/Finishes

- 0: White
- CP: Polished Chrome
- Other: Refer to Price Book for additional colors/finishes

#### Specified Model

Model	Description	Colors/Finishes	
K-1914-GL	5' (1.5 m) BubbleMassage™ bath – left-hand drain	<input type="checkbox"/> 0	<input type="checkbox"/> Other_____
K-1914-GR	5' (1.5 m) BubbleMassage bath – right-hand drain	<input type="checkbox"/> 0	<input type="checkbox"/> Other_____
K-1914-GLB	5' (1.5 m) BubbleMassage bath – left-hand drain with grab bar	<input type="checkbox"/> 0	
K-1914-GRB	5' (1.5 m) BubbleMassage bath – right-hand drain with grab bar	<input type="checkbox"/> 0	

#### Required Accessories

K-1010	Grab bar (CP factory installed on GLB/GRB models)	<input type="checkbox"/> CP	<input type="checkbox"/> Other_____
K-7272	Adjustable pop-up drain	<input type="checkbox"/> CP	<input type="checkbox"/> Other_____

#### Recommended Accessories

K-2971-KS	HiFlow Rite-Temp® valve with stops	<input type="checkbox"/> NA	
K-728-K	Mastershower® three-way/two-way transfer valve	<input type="checkbox"/> NA	
K-977	Handspray hose		<input type="checkbox"/> CP
K-8820	Sink strainer		<input type="checkbox"/> CP
K-10257	Ellipse handshower - black handle		<input type="checkbox"/> CP
K-11891	Purist® grab bar		<input type="checkbox"/> Other_____

#### Note

Installations at high altitude may affect product performance. Contact Kohler Co. if installing more than 6000 ft (1828.8 m) above sea level.

# ELEVANCE™ RISING WALL

## Technical Information

Fixture*:	
Bathing well:	
Basin area, bottom	43" (109.2 cm) x 22-1/2" (57.2 cm)
Basin area, top	48-3/4" (123.8 cm) x 23-3/8" (59.4 cm)
Weight	280 lbs (127 kg)
To overflow:	
Water depth	14" (40.6 cm) at the seat area, 19-3/4" (50.2 cm) at the drain area
Recommended water depth at the seat area is 9-1/2" (24.1 cm) for an optimized BubbleMassage experience.	
Capacity	72 gal (273 L) without a bather
* Approximate measurements for comparison only.	

## Required Electrical Service

Dedicated circuit required, protected with Class A Ground-Fault Circuit-Interrupter (GFCI):	
Blower/System Controller	120 V, 6 A, 60 Hz
Locate a duplex receptacle behind the bath and within 36" (91.4 cm) of the door/system controller and blower.	

## Installation Notes

Install this product according to the installation guide.

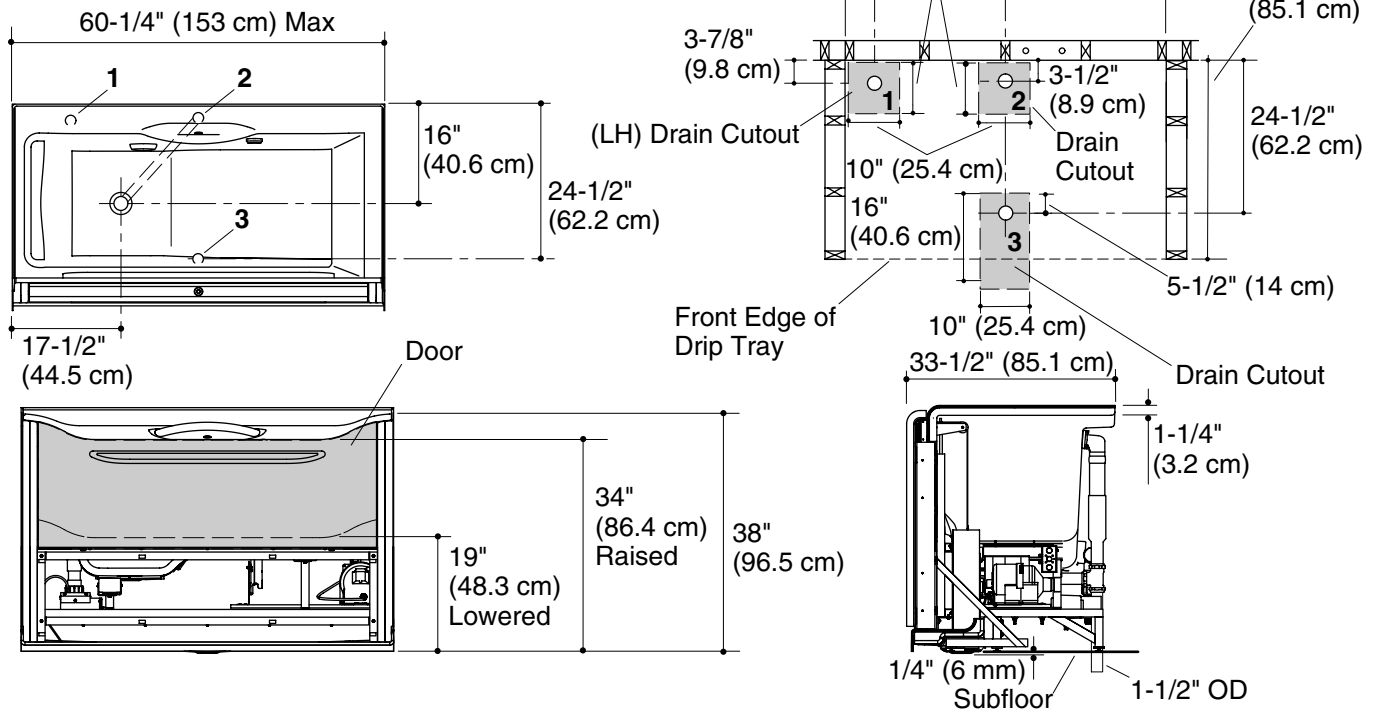
Floor support under the bath must provide for a minimum of 60 lbs/square foot (293 kg/square meter) loading.

Hot water supply should be 70% of capacity or greater. Installations will vary.

**NOTICE:** Three drains are required. Drains 1 and 2 require a 10" (25.4 cm) x 10" (25.4 cm) cutout. Drain 3 requires a 10" (25.4 cm) x 10" (25.4 cm) cutout if accessible from below. For above-floor access, make a 10" (25.4 cm) x 16" (40.6 cm) cutout. Support the finished floor accordingly.

A 350 VA size or greater Uninterruptible Power Supply (UPS) is recommended for areas of routine or prolonged power outages.

No change in measurements if connected with drain illustrated. (K-7272)



## Product Diagram

ELEVANCE™ RISING WALL 5' (1.5 m) BUBBLEMASSAGE™ BATH