



Underscore® Rectangle

5' Whirlpool Bath

K-1849-H2



Features

- Eight hydromassage jets can be individually adjusted for water flow and direction.
- Variable-speed pump for adjusting massage intensity.
- Lighted key pad.
- Built-in heater.
- Molded lumbar support offers extra comfort while bathing.
- Slotted overflow allows for deep soaking.
- Requires K-7271 or K-7272 Clearflo slotted overflow bath drain and K-9698 jet trim kit (sold separately).
- End drain.

Material

- Acrylic

Hydrotherapy

- Whirlpool

Installation

- Drop-in or under-mount.
- Under-mount installation requires kit K-534 (sold separately).
- Requires 240V hard-wire electrical service.

Required Accessories

K-7271 Brass Slotted Overflow Bath Drain
K-9698 Flexjet® Whirlpool Trim Kit

or

K-7272 PVC Slotted Overflow Bath Drain

Recommended Accessories

K-1491 Bath/Whirlpool Pillow
K-1601 Bath/Whirlpool Footstop
K-1703 Whirlpool Remote Control
K-534 Under-Mount Installation Kit
K-9497 2-1/2" Keypad Trim
K-24916 Wireless Music Kit
K-1177 Vinyl Tiling-in Bead



Codes/Standards

ASME A112.19.7/CSA B45.10
CSA B45.5/IAPMO Z124
ASTM E162
ASTM E662
UL 1795
Greenguard UL 2818 - Gold

**KOHLER® Plastic Baths and Receptors
Lifetime Limited Warranty
KOHLER® Hydrotherapy Components
Five-Year Limited Warranty**

See website for detailed warranty information.

Available Color/Finishes

Color tiles intended for reference only.

Color	Code	Description
	0	White
	96	Biscuit
	47	Almond
	NY	Dune
	95	Ice™ Grey
	G9	Sandbar
	K4	Cashmere
	58	Thunder™ Grey
	7	Black Black™

1-800-4KOHLER (1-800-456-4537)

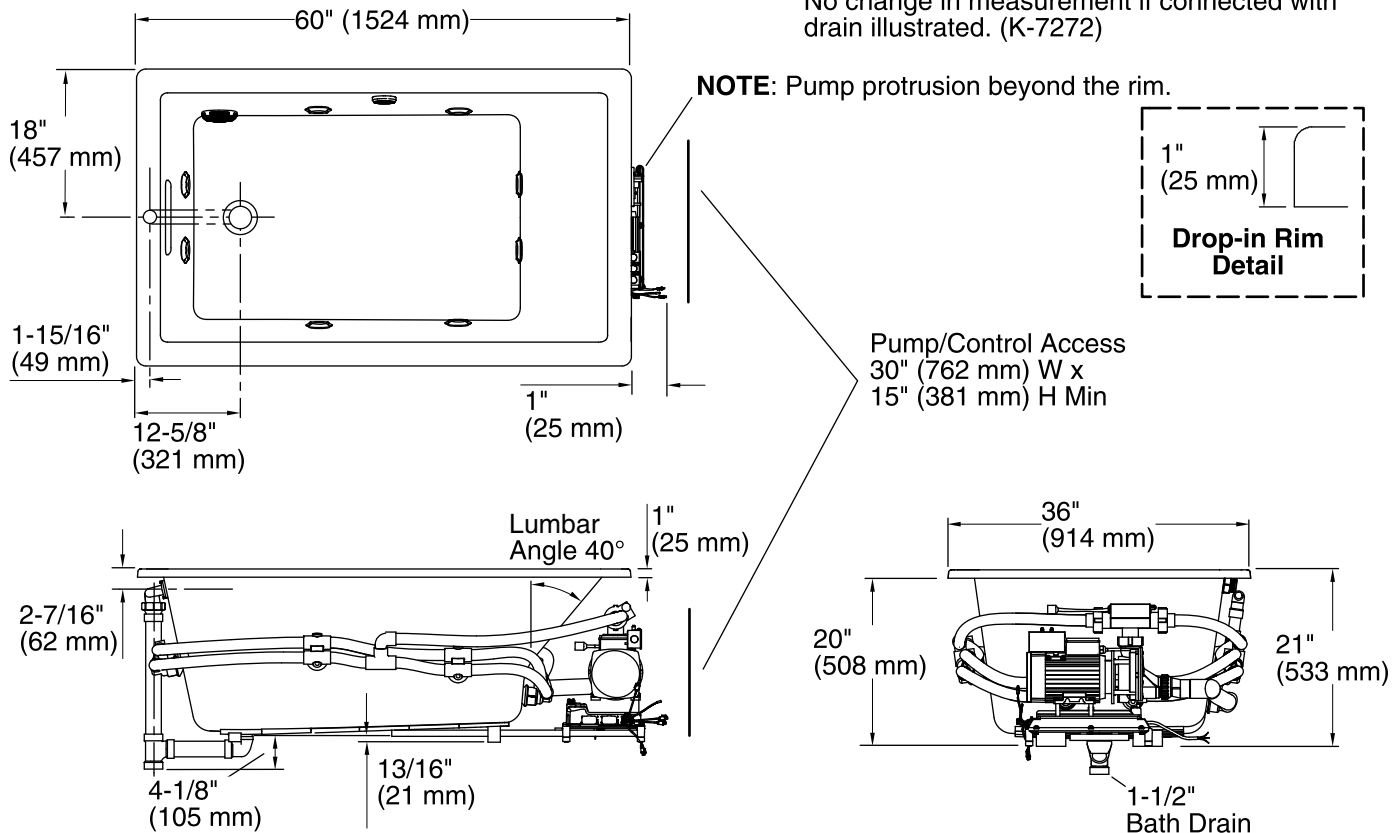
Kohler Co. reserves the right to make revisions without notice to product specifications.

For the most current Specification Sheet, go to www.kohler.com.

12-4-2018 11:29 - US/CA

THE BOLD LOOK
OF **KOHLER**®

No change in measurement if connected with drain illustrated. (K-7272)



Required Electrical Service

One dedicated circuit required, protected with Class A Ground-Fault Circuit-Interrupter (GFCI) or Residual Current Device (RCD).

Pump, Heater: 240 V, 20 A, 50/60 Hz

Technical Information

All product dimensions are nominal.

Installation: Drop-in, Under-mount
 Drain location: End
 Basin area, bottom: 39-9/16" x 24-11/16" (1005 mm x 627 mm)
 Basin area, top: 53-5/8" x 29-1/2" (1362 mm x 749 mm)
 Weight: 125 lbs (56.7 kg)
 Minimum floor load: 56 lbs/ft² (273.4 kg/m²)
 Water depth: 17-1/8" (435 mm)
 Water capacity: 81.1 gal (307 L)
 Cutout: Drop-in, 59-1/2" x 35-1/2" (1511 mm x 902 mm)
 Electrical component rating: Pump: 240 V, 11 A, 50/60 Hz
 Heater: 240 V, 50/60 Hz, 1500 W
 Pump speed: Variable
 Minimum flat for door: 2-11/16" (68 mm)

Notes

Measure your actual product for rough-in details. Install this product according to the installation instructions.

The hot water supply should be 70% of the capacity of the bath or greater. Installations will vary.