

Features

- 15/16-inch male.
- 0.5 gpm non-aerated pressure-compensating laminar spray.
- Vandal-resistant.
- Polished Chrome finish.
- Pack of six.
- 1/2" (13 mm) x 1" (25 mm)

Material

- Premium metal construction.

Components

Additional included component/s: Aerator wrench.



Codes/Standards

None Applicable

KOHLER® One-Year Limited Warranty

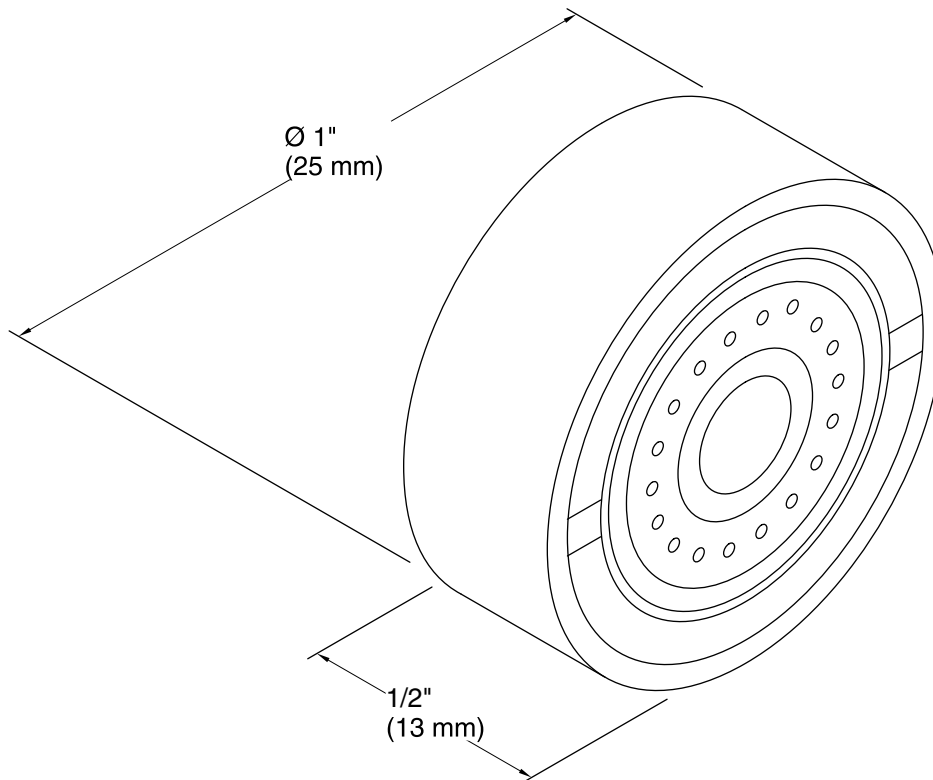
See website for detailed warranty information.

Available Color/Finishes

Color tiles intended for reference only.

Color	Code	Description
-------	------	-------------

	CP	Polished Chrome
--------------------------------------------------------------------------------------	----	-----------------



Technical Information

All product dimensions are nominal.

Notes

Install this product according to the installation guide.