

### Features

- Metal construction.
- Quarter-turn washerless ceramic disc valves.
- 4" (102 mm) gooseneck spout reach.
- Stationary gooseneck spout.
- For 4" (102 mm) centers.
- Sculptured acrylic handles.
- Lower flow aerator options are available (refer to the Kohler Price Book).
- Less drain.
- 1.8 gal/min (6.8 l/min) maximum flow rate [max at 60 psi (4.14 bar)].



### Codes/Standards

ASME A112.18.1/CSA B125.1

NSF 61

NSF 372

All applicable US Federal and State material regulations

DOE - Energy Policy Act 1992


### KOHLER® One-Year Limited Warranty

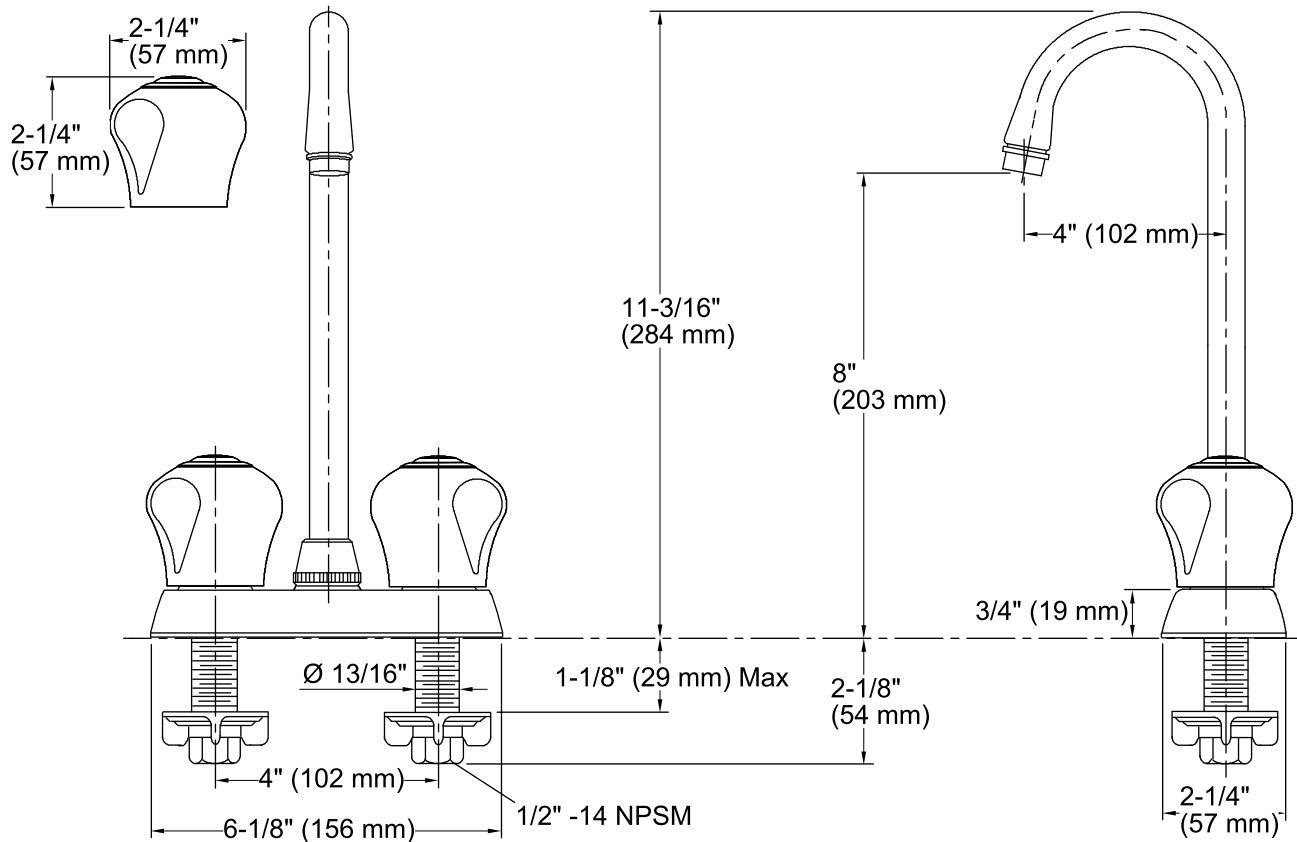
See website for detailed warranty information.

### Available Color/Finishes

*Color tiles intended for reference only.*

| Color | Code | Description |
|-------|------|-------------|
|-------|------|-------------|

|  |    |                 |
|--|----|-----------------|
|  | CP | Polished Chrome |
|--|----|-----------------|



## Technical Information

All product dimensions are nominal.

### Spout:

Spout reach: 4" (102 mm)

Handle clearance: 1-1/8" (29 mm)

### Faucet:

Flow rate: 1.8 gal/min (6.8 l/min)

Pressure: 60 psi (4.1 bar)

## Notes

Install this product according to the installation guide.