



Stillness®
Toilet Tissue Holder
K-14393

Features

- KOHLER finishes resist corrosion and tarnish.
- Coordinates with other products in the Stillness collection.
- 8-13/16" (208 mm) x 2-13/16" (71 mm) x 1-7/8" (48 mm)

Material

- Solid brass construction.

Components

Additional included component/s: Installation hardware, and template.



Codes/Standards



None Applicable

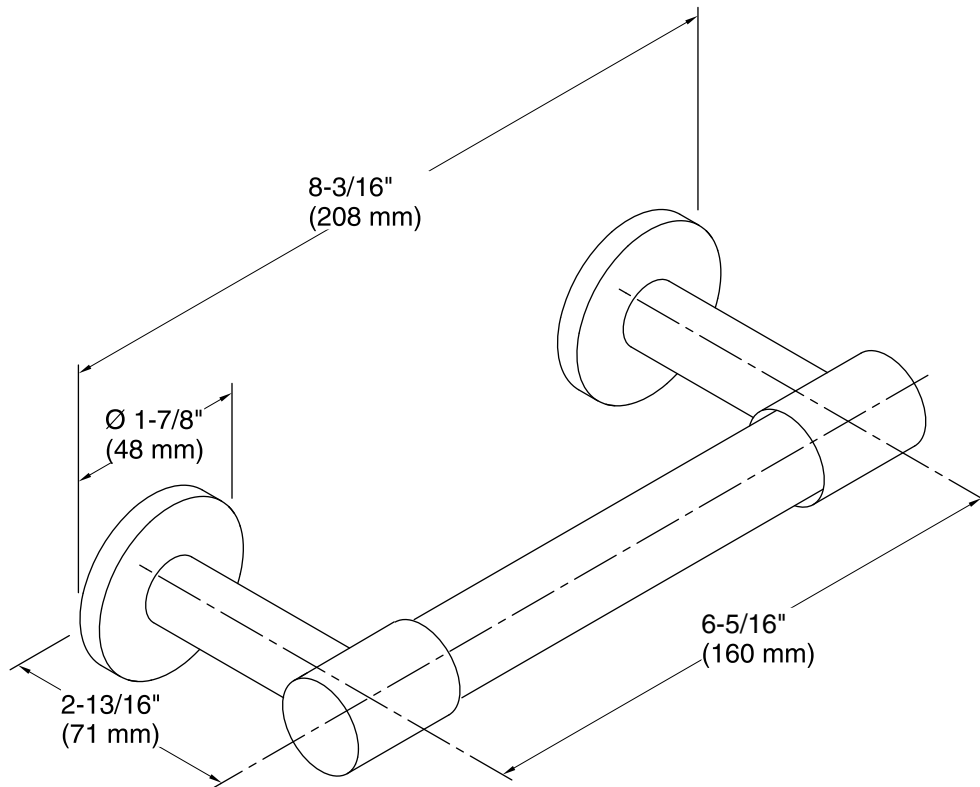
KOHLER® Faucet Lifetime Limited Warranty

See website for detailed warranty information.

Available Color/Finishes

Color tiles intended for reference only.

Color	Code	Description
	CP	Polished Chrome
	BN	Vibrant® Brushed Nickel



Technical Information

All product dimensions are nominal.

Notes

Install this product according to the installation guide.

CAUTION: Risk of personal injury. Do not install these products in any area where they are likely to be used inadvertently as a grab bar or support bar. These products are not designed or intended for use as a grab bar or support bar.