

### Features

- Vitreous china
- Undercounter
- Without overflow
- Includes 52047 clamp assembly
- Available with KOHLER Artist Editions designs
- 14" (35.6 cm) diameter

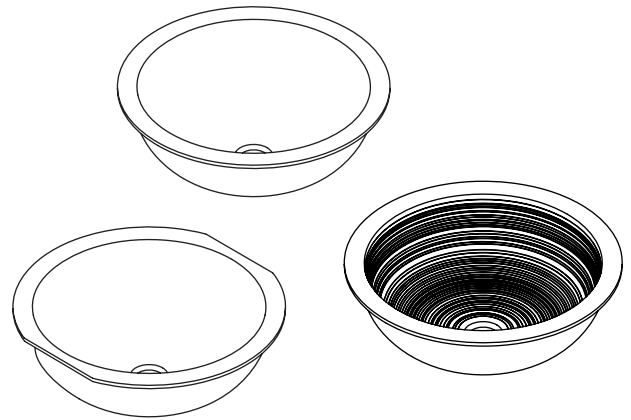
### UNDERCOUNTER LAVATORY K-2349 ALSO K-14026, K-14036, K-14046

ADA

### Codes/Standards Applicable

Specified model meets or exceeds the following:

- ADA
- ASME A112.19.2/CSA B45.1
- ICC/ANSI A117.1



### Colors/Finishes

- 0: White
- Other: Refer to Price Book for additional colors/finishes

### Specified Model

Model	Description	Colors/Finishes	
		<input type="checkbox"/> 0	<input type="checkbox"/> Other _____
K-2349	Undercounter lavatory	<input type="checkbox"/> 0	<input type="checkbox"/> Other _____
K-14026	Undercounter lavatory with painted underside – Artist Editions		<input type="checkbox"/> Other _____
K-14036	Undercounter lavatory less painted underside – Artist Editions		<input type="checkbox"/> Other _____
K-14046	Undercounter lavatory with cut edges – Artist Editions		<input type="checkbox"/> Other _____
K-14287	Undercounter lavatory with or without glazed underside – Artist Editions	<input type="checkbox"/> 0	<input type="checkbox"/> Other _____
K-14298	Undercounter lavatory with decorative carving – Artist Editions	<input type="checkbox"/> 0	<input type="checkbox"/> Other _____

### Product Specification

The undercounter vitreous china lavatory shall be 14" (35.6 cm) in diameter, with a 13-3/4" (34.9 cm) useable interior diameter. Lavatory shall be available with Artist Editions designs. Lavatory shall be without overflow. Lavatory shall include basin clamp assembly. Product shall be Kohler Model K-\_\_\_\_\_-\_\_\_\_ or K-\_\_\_\_\_-\_\_\_\_-\_\_\_\_.

# CAMBER®

## Technical Information

Fixture*:	
Basin area	13-3/4" (34.9 cm) D.
Water depth	5" (12.7 cm)
Drain hole	1-3/4" (3.2 cm) D.
* Approximate measurements for comparison only.	

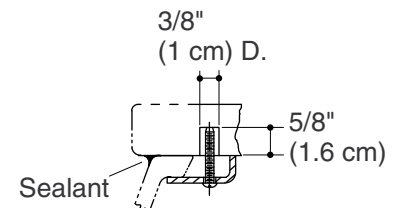
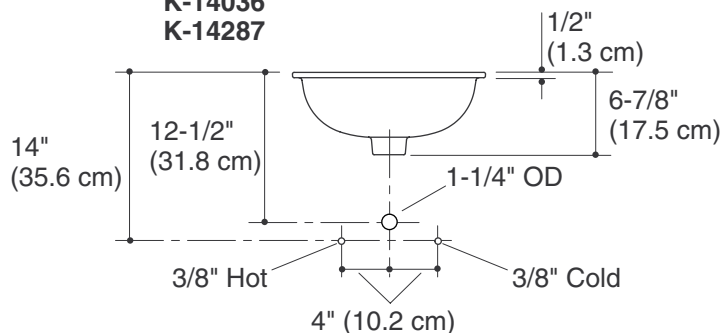
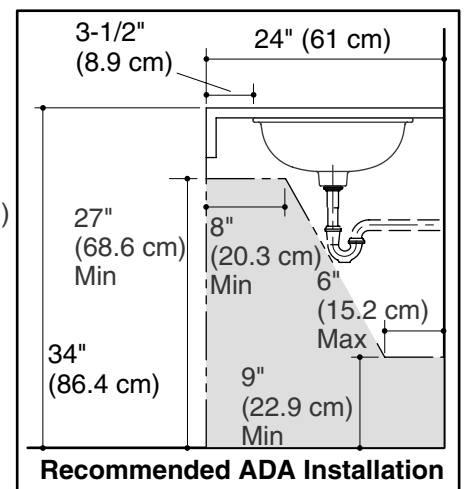
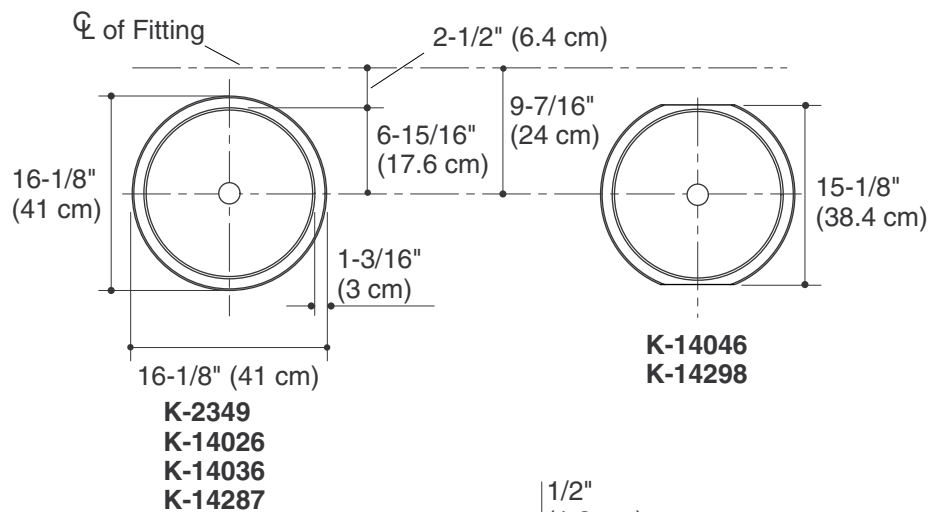
Included components:	
Basin clamp assembly	52047
Cut-out template	1035896-7

## Installation Notes

Install this product according to the installation guide.

Supplied basin clamp assemblies require 1" (2.5 cm) minimum countertop thickness. Installer must supply anchors for thinner countertops.

**NOTICE:** Countertop manufacturer or cutter must use the cut-out template provided with the product, or a current one provided by Kohler (call 1-800-4-KOHLER). Kohler is not responsible for cutout errors when incorrect cut-out template is used.



Standard Installation

Wood Installation

Marble Installation

## Product Diagram