

**Features**

- Brass construction
- Fixture-mount design
- Intended for toilet installations with 1-1/2" spud coupling connection
- Non-hold open piston technology for accurate activation
- Retrofit models require a control stop and vacuum breaker
- 1.28 gpf (4.85 lpf) for low water consumption (K-13517 and K-13517-RF)
- 1.6 gpf (6 lpf) for standard water consumption (K-13516 and K-13516-RF)

**Codes/Standards Applicable**

Specified model meets or exceeds the following:

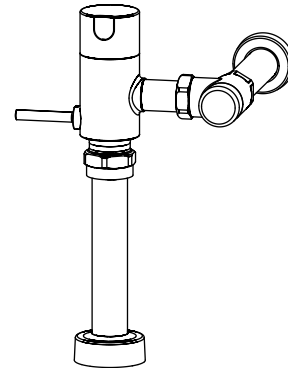
- ADA
- ASSE 1037
- CSA B125.3
- ICC/ANSI A117.1
- CSA B64

**Specified Model**

Model	Description	Colors/Finishes
K-13516	1.6 gpf (6 lpf) exposed flush valve	<input type="checkbox"/> CP
K-13516-RF	1.6 gpf (6 lpf) exposed flush valve retrofit	<input type="checkbox"/> CP
K-13517	1.28 gpf (4.85 lpf) exposed flush valve	<input type="checkbox"/> CP
K-13517-RF	1.28 gpf (4.85 lpf) exposed flush valve retrofit	<input type="checkbox"/> CP

**EXPOSED FLUSH VALVE**  
**K-13516**  
**ALSO K-13516-RF, K-13517,**  
**K-13517-RF**

**ADA**



**Colors/Finishes**

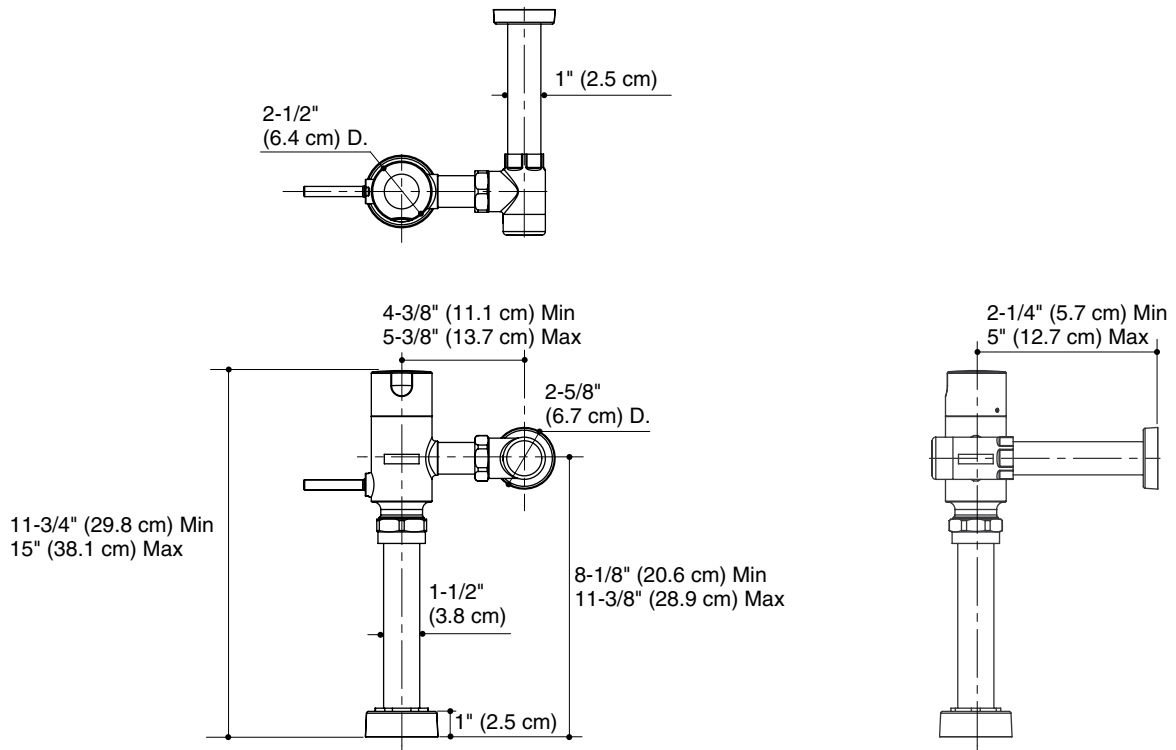
- CP: Polished Chrome

**Product Specification**

The manual flush valve shall be made of brass construction. Valve shall feature non-hold open piston technology for accurate activation. Valve shall have a fixture-mount design. Valve is intended for toilet installations with a 1-1/2" spud coupling connection and retrofit models require a control stop and vacuum breaker. Valve shall have a 1.28 gpf (4.85 lpf) for low water consumption (K-13517 and K-13517-RF) or 1.6 gpf (6 lpf) for standard water consumption (K-13516 and K-13516-RF). Exposed flush valve shall be Kohler Model K-\_\_\_\_\_-CP.

## Installation Notes

Install this product according to the installation guide.



## Product Diagram