

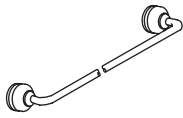

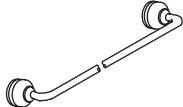
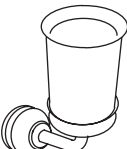
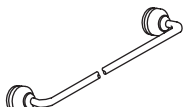



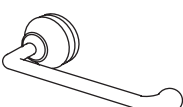

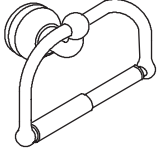
Features

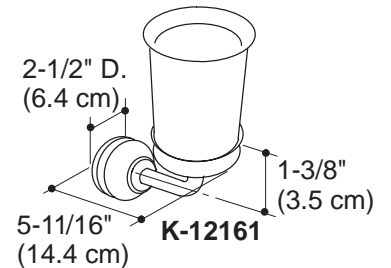
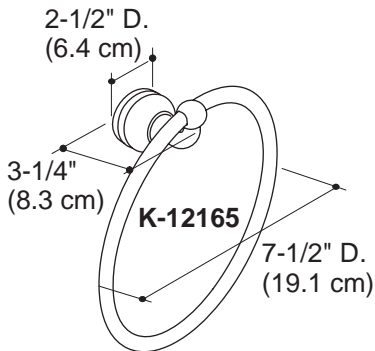
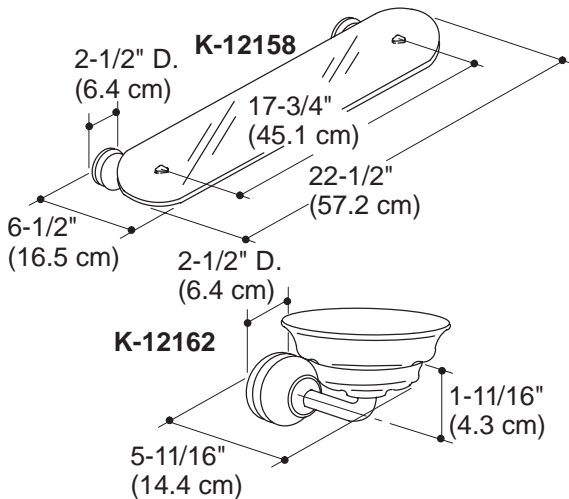
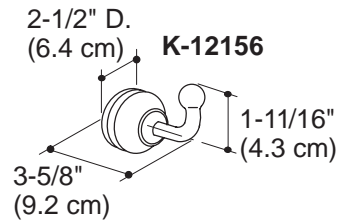
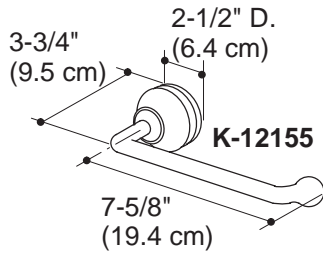
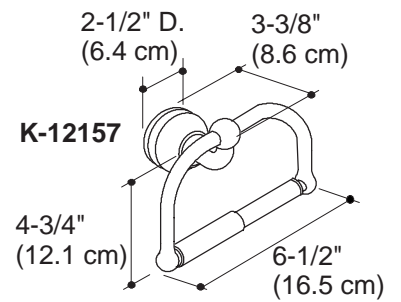
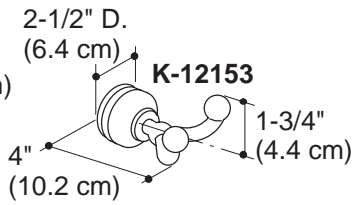
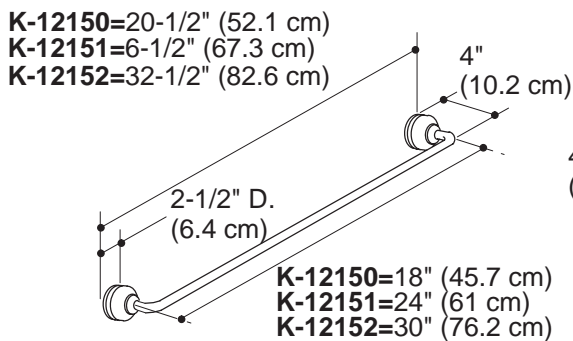
- Metal construction
- Classic styling
- Complements Fairfax faucet line

Colors/Finishes

- CP: Polished Chrome
- Other: Refer to Price Book for additional colors/finishes

Specified Model

Model/Description		Model/Description	
K-12150 Fairfax 18" (45.7 cm) Towel Bar <input type="checkbox"/> CP <input type="checkbox"/> Other _____		K-12158 Fairfax Glass Shelf <input type="checkbox"/> CP <input type="checkbox"/> Other _____	
K-12151 Fairfax 24" (61 cm) Towel Bar <input type="checkbox"/> CP <input type="checkbox"/> Other _____		K-12161 Fairfax Tumbler/Toothbrush Holder <input type="checkbox"/> CP <input type="checkbox"/> Other _____	
K-12152 Fairfax 30" (76.2 cm) Towel Bar <input type="checkbox"/> CP <input type="checkbox"/> Other _____		K-12162 Fairfax Soap Dish <input type="checkbox"/> CP <input type="checkbox"/> Other _____	
K-12153 Fairfax Double Robe Hook <input type="checkbox"/> CP <input type="checkbox"/> Other _____		K-12165 Fairfax Towel Ring <input type="checkbox"/> CP <input type="checkbox"/> Other _____	
K-12155 Fairfax Towel Arm <input type="checkbox"/> CP <input type="checkbox"/> Other _____			
K-12156 Fairfax Single Robe Hook <input type="checkbox"/> CP <input type="checkbox"/> Other _____			
K-12157 Fairfax Toilet Tissue Holder Horizontal <input type="checkbox"/> CP <input type="checkbox"/> Other _____			



Product Diagram