

Features

- With hanger.
- With overflow.
- Drilled center hole.
- 20-3/4 " (527 mm) x 18-1/4 " (464 mm)

Material

- Vitreous china.

Installation

- Wall-mount
- Drilled for a concealed arm carrier and fixture-supported knee-control fitting.

Recommended Accessories

K-1808-P Bathroom Sink Brackets
K-8998 P-Trap

Components

Additional included component/s: Hanger (2 required).



ADA

CSA B651

Codes/Standards

ASME A112.19.2/CSA B45.1
All applicable US Federal and State material regulations
ADA
ICC/ANSI A117.1
CSA B651

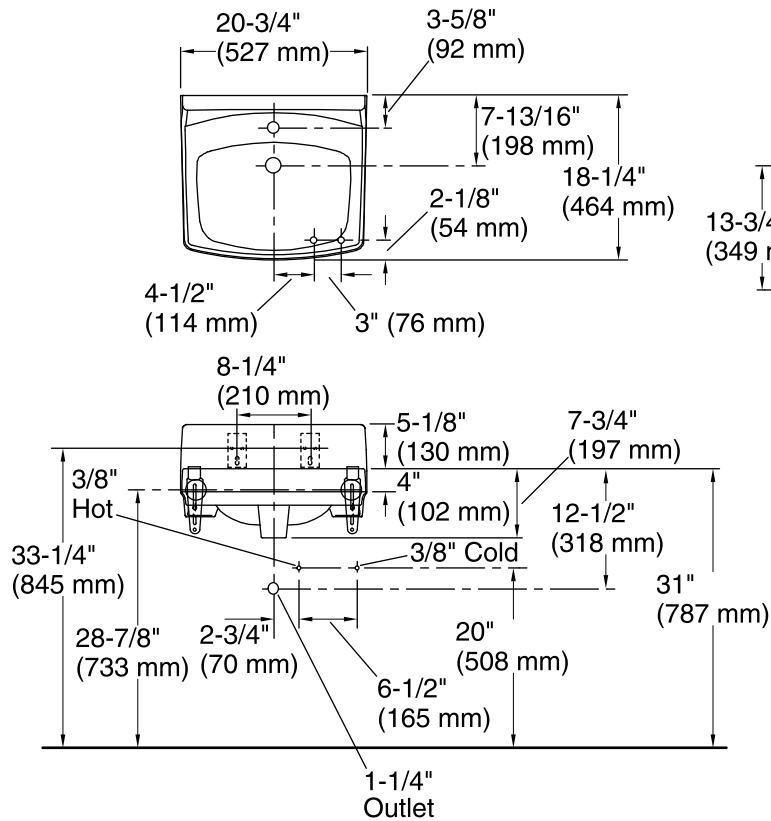
See website for detailed warranty information.

Available Color/Finishes

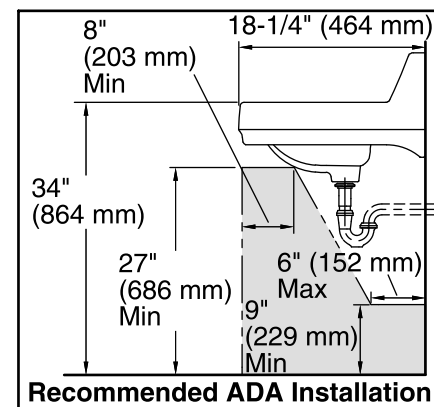
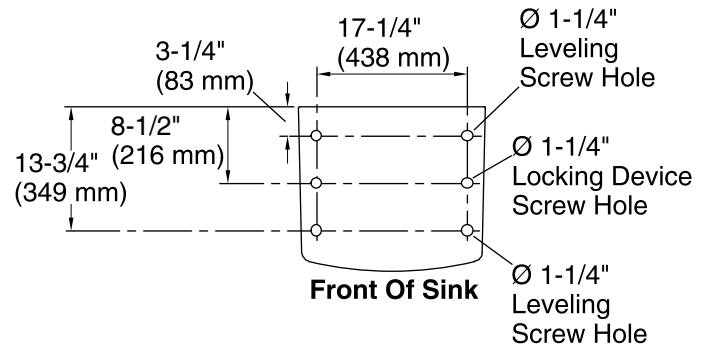
Color tiles intended for reference only.

Color	Code	Description
-------	------	-------------

	0	White
--------------------------------------------------------------------------------------	---	-------



Concealed Arm Hole Locations



Technical Information

All product dimensions are nominal.

Bowl configuration:	Single
Installation:	Wall-mount
Bowl area (Only)	Length: 15" (381 mm) Width: 10" (254 mm) Bowl depth: 7-3/4" (197 mm) Water depth: 3-1/4" (83 mm)
Number of deck holes:	1
Faucet hole(s):	1-3/8" (35 mm)
Drain hole:	1-3/4" (44 mm)

Notes

Install this product according to the installation instructions.

ADA, CSA B651 compliant when installed to the specific requirements of these regulations.