



# Morningside™

## Wall-mount Wheelchair Bathroom Sink

### K-12638-L

#### Features

- Vitreous china.
- Wall-mount.
- With overflow.
- Drilled for concealed arm carrier.
- Single-hole.
- Soap dispenser hole on left.
- 20" (508 mm) x 27" (686 mm)

#### Recommended Accessories

- K-8998 P-Trap
- K-7131-A Offset Drain



ADA

#### Codes/Standards




ASME A112.19.2/CSA B45.1  
ADA  
ICC/ANSI A117.1

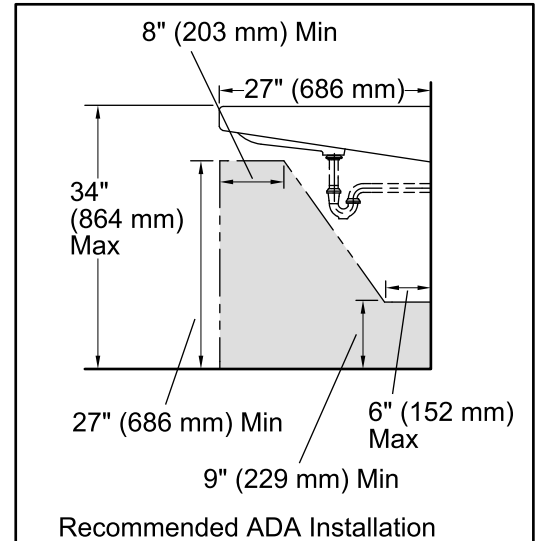
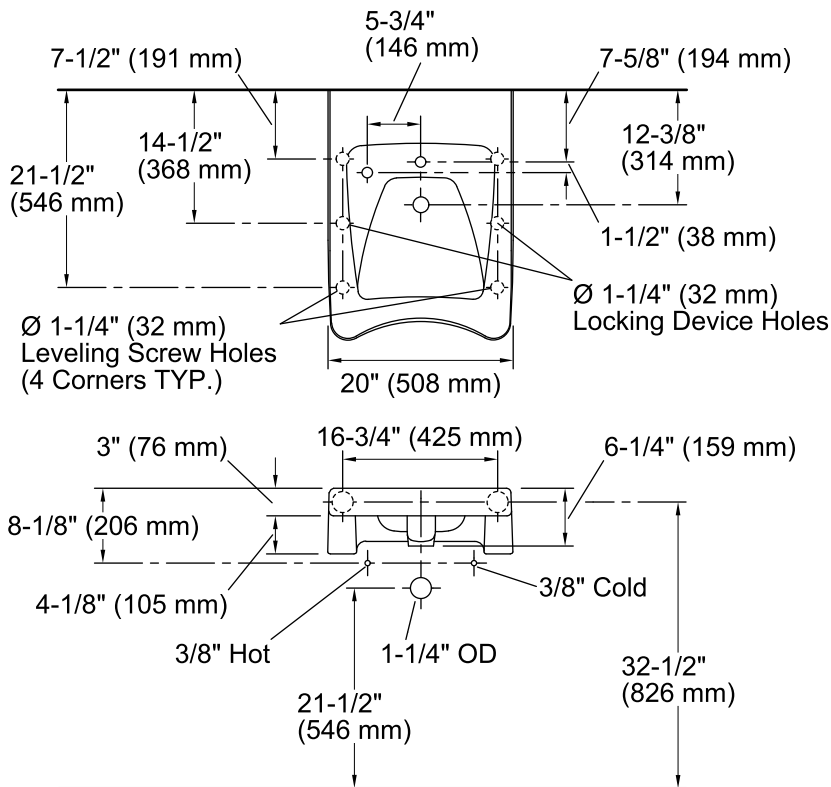
#### KOHLER® One-Year Limited Warranty

See website for detailed warranty information.

#### Available Color/Finishes

*Color tiles intended for reference only.*

Color	Code	Description
	0	White
	96	Biscuit
	47	Almond



### Technical Information

All product dimensions are nominal.

Bowl configuration: Single  
 Installation: Wall-mount  
 Bowl area (Only) Length: 14" (356 mm)  
 Width: 13" (330 mm)  
 Water depth: 2-5/8" (67 mm)

Number of deck holes: 2

Faucet hole(s): 1-3/8" (35 mm)  
 Soap/Lotion hole: 1-1/4" (32 mm)  
 Drain hole: 1-3/4" (44 mm)

### Notes

Install this product according to the installation instructions.

ADA compliant when installed to the specific requirements of these regulations.