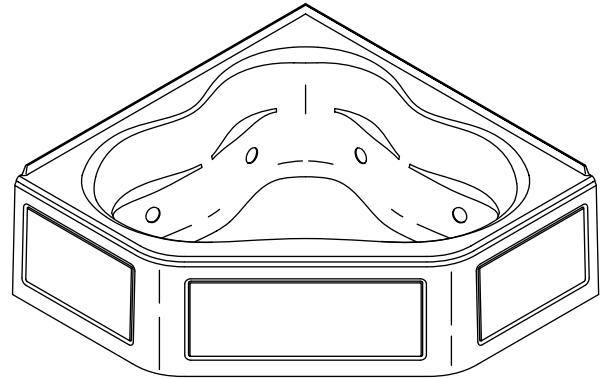


Features

- Acrylic
- For corner installation
- Integral apron with removable access panel
- 6 individually adjustable multi-directional hydro-massage jets
- 1-1/4 hp pump with air switch and grounding-type plug-in cord
- Integral flange
- Molded lumbar supports and armrests
- Integral apron with removable panel for front access
- 60" (152.4 cm) x 60" (152.4 cm) x 21" (53.3 cm)

CORNER BATH WHIRLPOOL WITH INTEGRAL APRON, TILE FLANGE K-1160-LA



Codes/Standards Applicable

Specified model meets or exceeds the following:

- ANSI Z124.1
- IAPMO/UPC
- Underwriter's Laboratories (UL)
- ASME A112.19.7M

Colors/Finishes

- 0: White
- Other: Refer to Price Book for additional colors/finishes

Accessories:

- CP: Polished Chrome
- 0: White
- Other: Refer to Price Book for additional colors/finishes
- NA: None applicable

Specified Model

Model	Description	Colors/Finishes	
K-1160-LA	Whirlpool, integral apron	<input type="checkbox"/> 0 White	<input type="checkbox"/> Other_____
Recommended Accessory			
K-11677	Drain	<input type="checkbox"/> CP	
Optional Accessories			
K-9696	Jet trim kit (Metal finishes)	<input type="checkbox"/> CP	<input type="checkbox"/> Other_____
K-1491	Pillow	<input type="checkbox"/> 0 White	<input type="checkbox"/> Other_____

Product Specification:

The corner bath whirlpool shall be 60" (152.4 cm) in length, 60" (152.4 cm) in width, and 21" (53.3 cm) in height. Corner bath whirlpool shall be made of acrylic, shall have integral tile flange and shall have integral apron with removable panel for front access. Bath whirlpool shall have 6 individually adjustable Proflex™ hydro-massage jets, 1-1/4 hp pump with air switch and grounding type plug-in cord. Bath whirlpool shall have molded lumbar supports and armrests. Bath whirlpool shall be Kohler Model K-1160-LA-_____.

TERCET™

Technical Information

Fixture*:	basin area	top area	weight
Bathing well	52" (132.1 cm) x 38-3/4" (98.4 cm)	61" (154.9 cm) x 46-1/4" (117.5 cm)	151 lbs. (68.5kg)
	water depth	capacity	
To overflow	15" (38.1 cm)	96 gal. (363.6 L)	
* Approximate measurements for comparison only.			

Pump:	HP	V	Hz	A
1-speed	1-1/4	120	60	7.5
Heater:	kW	V	Hz	A
	1.5	120	60	12.5

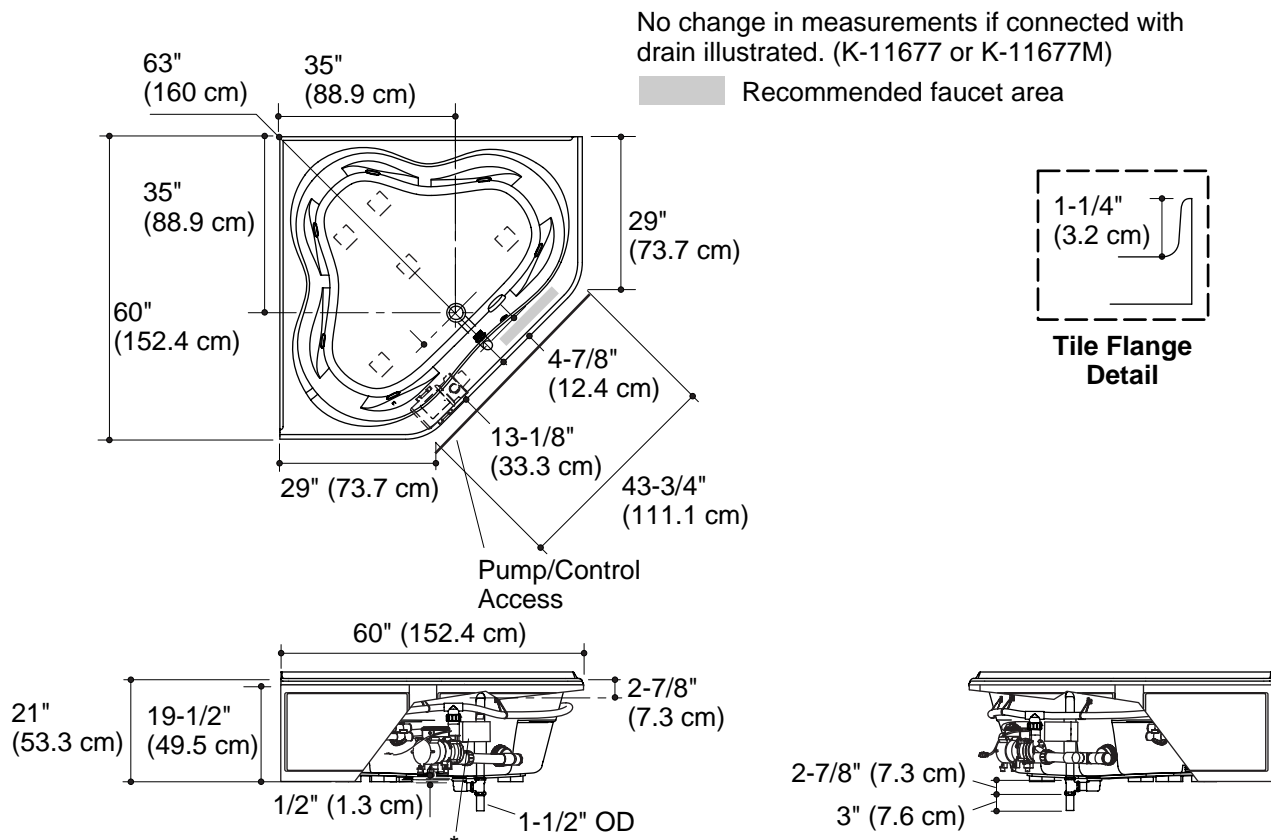
Required Electrical Service

Dedicated circuit required, protected with Class A Ground-Fault Circuit-Interrupter (GFCI):	
Pump/control	120 V, 15 A, 60 Hz
Heater	120 V, 15 A, 60 Hz
Locate the outlet onto the wooden stud provided as illustrated below.	

Installation Notes

Install this product according to the installation guide.

Floor support under whirlpool must provide for a minimum of 80 lbs./square foot (390 kg./square meter) loading.



Product Diagram