

# KOHLER® Roughing-In

## K-1139-HN PROFLEX® 6036 CUSTOM BATH WHIRLPOOL WITH HEATER

### Product Information

Applicable product:			
Custom bath whirlpool with heater – drop-in		K-1139-HN	
Fixture*:			
Bathing well:			
Basin area	46" (116.8 cm) x 15" (38.1 cm)		
Top area	55" (139.7 cm) x 25" (63.5 cm)		
Weight	60 lbs (27.2 kg)		
To overflow:			
Water depth	14" (35.6 cm)		
Capacity	57 gal (215.8 L)		
* Approximate measurements for comparison only.			
Drop-in cutout	58-1/2" (148.6 cm) x 34-1/2" (87.6 cm)		
Pump:	V	Hz	A
1-speed	120	60	7.5
Heater:	kW	V	Hz
	1.5	120	60
		A	12.5

### Required Electrical Service

Two dedicated circuits required, each protected with Class A Ground-Fault Circuit-Interrupter (GFCI):	
Pump/control	120 V, 15 A, 60 Hz
Heater	120 V, 15 A, 60 Hz
Locate the outlets behind the whirlpool and within 24" (61 cm) of the pump.	

### Installation Notes

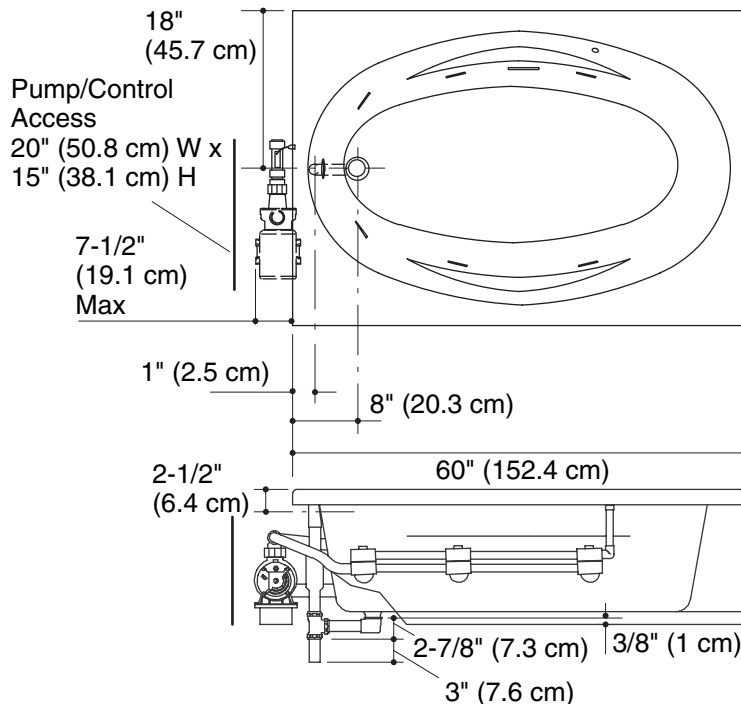
Install this product according to the installation guide.

Floor support under whirlpool must provide for a minimum of 37 lbs/square foot (183 kg/square meter) loading.

The apron must be installed before the finished floor and wall materials are installed.

Pump must be relocated to custom position at the time of installation. Provide adequate clearance.

Fixture conforms to ANSI Standard Z124.1.2. All dimensions are nominal.



No change in measurements if connected with drain illustrated. (K-11677)

