



#### Features

- End drain.
- Built-in 1500 W heater.
- 60" (1524 mm) x 36" (914 mm) x 18-1/8" (460 mm)

#### Material

- Acrylic

#### Hydrotherapy

- Pump with air switch for whirlpool.
- Multiple pump location options give you more choices for installation and access.
- Six fully adjustable Flexjet™ hydrotherapy jets for water flow and direction.

#### Installation

- Drop-in

#### Recommended Accessories

- K-1284 Apron
- K-11677 Bath Drain
- K-24916 Wireless Music Kit



#### Codes/Standards

- ASME A112.19.7/CSA B45.10
- CSA B45.5/IAPMO Z124
- UL 1795
- Greenguard UL 2818 - Gold
- CARB P2




#### KOHLER® One-Year Limited Warranty

See website for detailed warranty information.

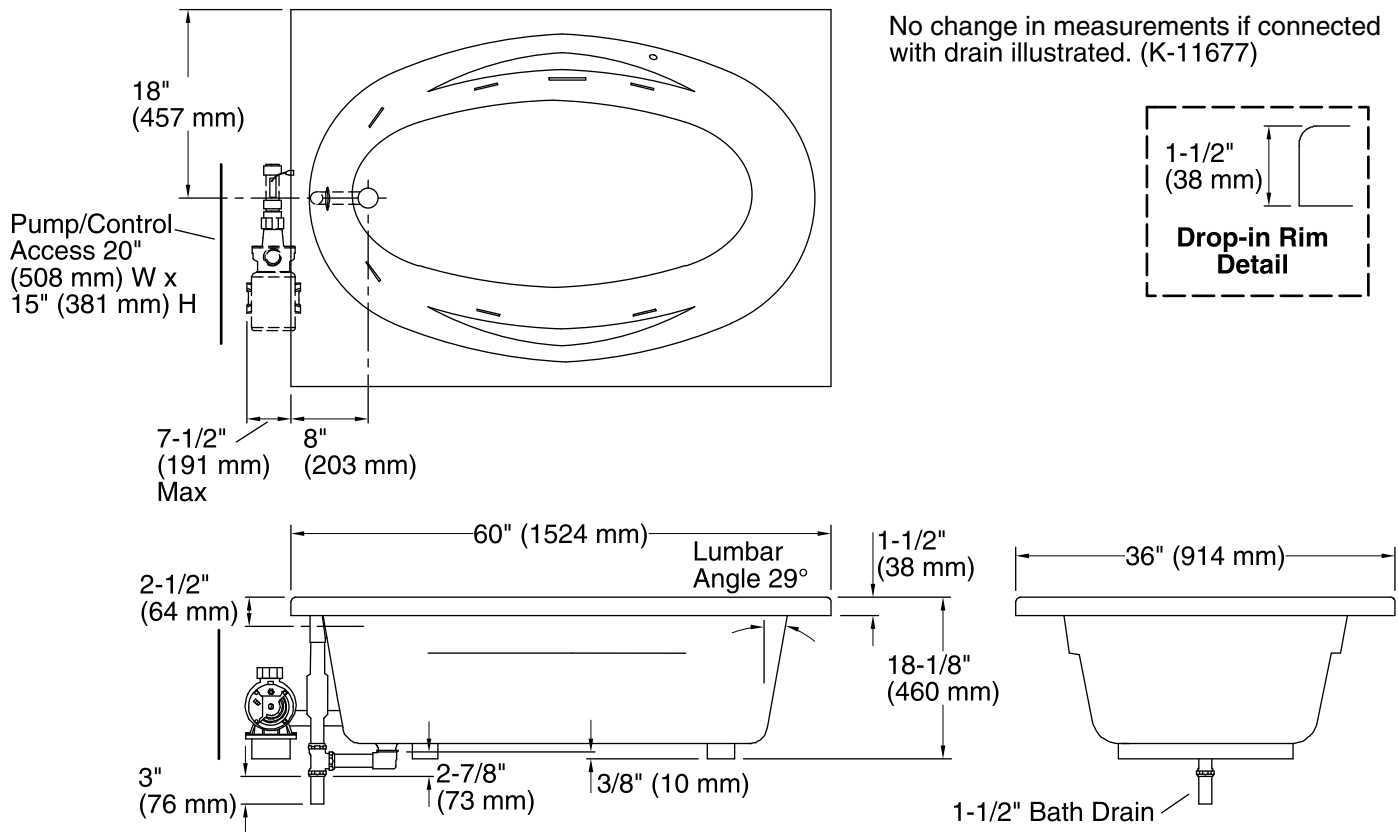
#### Available Color/Finishes

*Color tiles intended for reference only.*

Color	Code	Description
-------	------	-------------

	0	White
	96	Biscuit
	47	Almond

No change in measurements if connected with drain illustrated. (K-11677)



### Required Electrical Service

Two dedicated circuits required, protected with Class A Ground-Fault Circuit-Interrupter (GFCI) or Residual Current Device (RCD).

Pump: 120 V, 15 A, 60 Hz  
 Heater: 120 V, 15 A, 60 Hz

### Technical Information

All product dimensions are nominal.

Installation: Drop-in  
 Drain location: End  
 Basin area, bottom: 46" x 23" (1168 mm x 584 mm)  
 Basin area, top: 55" x 25" (1397 mm x 635 mm)  
 Weight: 60 lbs (27.2 kg)  
 Minimum floor load: 37 lbs/ft<sup>2</sup> (180.6 kg/m<sup>2</sup>)  
 Water depth: 14" (356 mm)  
 Water capacity: 57 gal (215.8 L)  
 Cutout: Drop-in, 58-1/2" x 34-1/2" (1486 mm x 876 mm)  
 Electrical component rating: Pump: 120 V, 7.5 A, 60 Hz  
 Heater: 120 V, 12.5 A, 60 Hz, 1500 W  
 Pump speed: Single

### Notes

Measure your actual product for rough-in details. Install this product according to the installation instructions. The hot water supply should be 70% of the capacity of the bath or greater. Installations will vary. Provide one grounded electrical outlet within 24" (610 mm) of each component.