

K-1132, K-1132-F

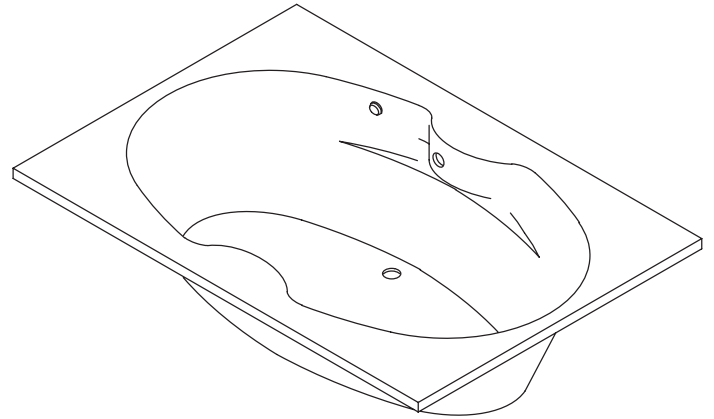
FEATURES

- 72" (182.9cm) x 42" (106.7cm) x 20-1/8" (51.1cm)
- Acrylic
- Drop-in or three wall alcove
- Molded lumbar supports and armrests
- Optional K-1283 separate apron
- Optional K-1491 removable pillow

CODES/STANDARDS APPLICABLE

Specified model meets or exceeds the following:

- ANSI Z124.1
- IAPMO/UPC



COLORS/FINISHES

- 0 White
- Other Refer to Fixtures Price Book for additional colors

Accessories:

- CP Polished Chrome
- PB Polished Brass

SPECIFIED MODEL:

Model	Description	Colors/Finishes	
K-1132	Bath, drop-in (shown)	<input type="checkbox"/> 0 White	<input type="checkbox"/> Other _____
K-1132-F	Bath, tile flange	<input type="checkbox"/> 0 White	<input type="checkbox"/> Other _____

Recommended Accessories			
K-11677	Drain	<input type="checkbox"/> CP	<input type="checkbox"/> PB

Optional Accessories			
K-1283	Separate apron with removable panel for front access	<input type="checkbox"/> 0 White	<input type="checkbox"/> Other _____
K-1491	Pillow	<input type="checkbox"/> 0 White	<input type="checkbox"/> Other _____

PRODUCT SPECIFICATION:

The bath shall be 72" (182.9cm) in length, 42" (106.7cm) in width, and 20-1/8" (51.1cm) in height. Bath shall be made of acrylic, drop-in or three wall alcove installation. Bath shall have molded lumbar supports and armrests. Bath shall have optional K-1283 separate apron. Bath shall be Kohler Model K-1132-_____-_____.

PROFLEX™ 7242

PRODUCT INFORMATION

Fixture*:	basin area	top area	weight
Bathing well	53" (134.6cm) x 26" (66cm)	65" (165.1cm) x 34" (86.4cm)	51 lbs. (23.1kg)
	water depth	capacity	
To overflow	15" (38.1cm)	78 gal. (295.3L)	

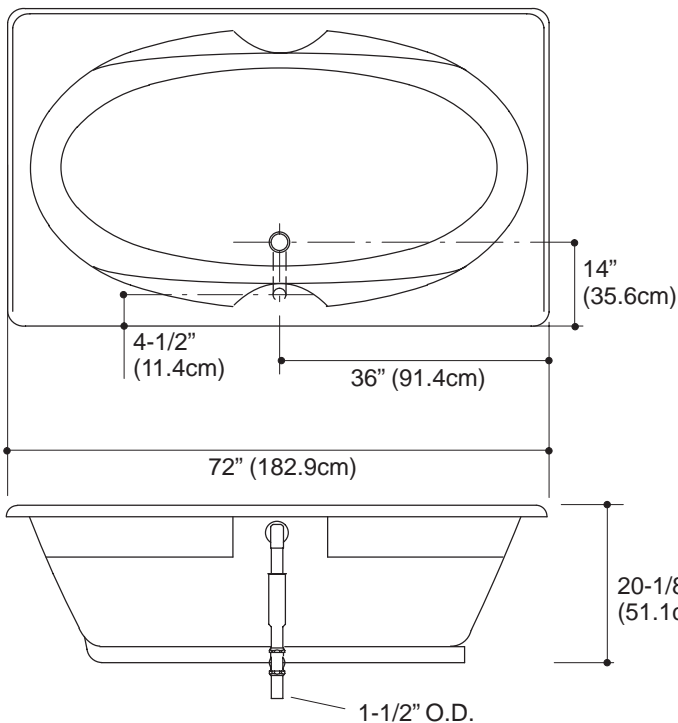
* Approximate measurements for comparison only.

INSTALLATION NOTES

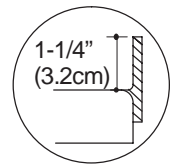
Install this product according to the installation guide.

Floor support under bath must provide for a minimum of 80 lbs./square foot (390 Kg./square meter) loading.

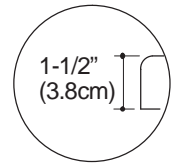
The apron must be installed before the finish floor and wall materials are installed.



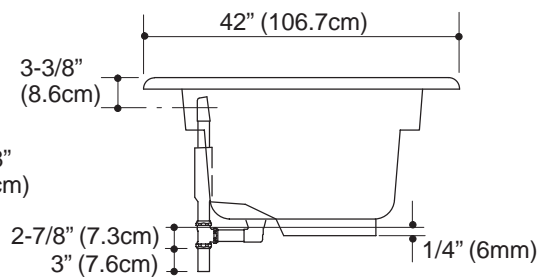
No change in measurements if connected with drain illustrated. (K-11677 or K-11677M)	
Drop-in cut-out	70-1/2" (179.1cm) x 40-1/2" (102.9cm)



**TILE FLANGE
DETAIL**



**DROP-IN RIM
DETAIL**



PRODUCT DIAGRAM