

KOHLER® Roughing-In

K-1122-HL, K-1122-HR
ARCHER™

5' (1.5 m) BATH WHIRLPOOL WITH HEATER

Product Information

Applicable product:	
Bath whirlpool with integral apron and heater, left drain	K-1122-HL
Bath whirlpool with integral apron and heater, right drain	K-1122-HR

Fixture*:	
Bathing well:	
Basin area, bottom	45-1/8" (114.6 cm) x 19-11/16" (50 cm)
Basin area, top	52-3/4" (134 cm) x 25-5/16" (64.3 cm)
Weight	140 lbs (63.5 kg)
To overflow:	
Water depth	15" (38.1 cm)
Capacity	58 gal (219.5 L)
* Approximate measurements for comparison only.	

Pump:	V	Hz	A	
1-speed	120	60	7	
Heater:	kW	V	Hz	A
	1.5	120	60	12.5

Required accessories:

Clearflo slotted overflow brass bath drain OR	K-7271
Clearflo slotted overflow bath drain – PVC pipe	K-7272

Required Electrical Service (2 required)

Two dedicated circuits required, each protected with Class A Ground-Fault Circuit-Interrupter (GFCI):

Pump/control	120 V, 15 A, 60 Hz
Heater	120 V, 15 A, 60 Hz

Installation Notes

Install this product according to the installation guide.

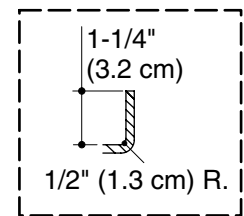
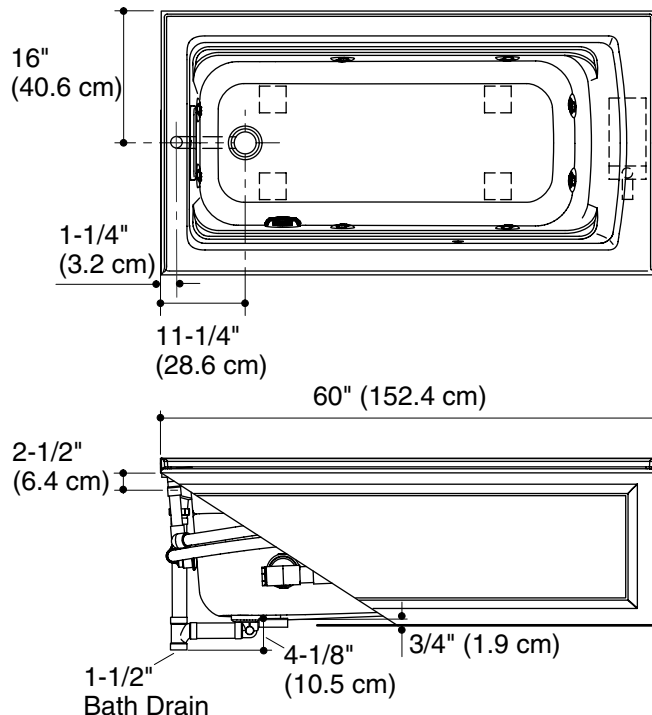
Floor support under this product must provide for a minimum of 49 lbs/square foot (240 kg/square meter) loading.

The hot water supply should be 70% of the capacity of the bath or greater. Installations will vary.

Will comply with **ADA** when installed per Section 607 Bathtubs of the Act.

Fixture conforms to ANSI Standard Z124.1.2. All dimensions are nominal.

No change in measurements if connected with drain illustrated. (K-7272)



Integral Flange Detail

