

KOHLER®

Roughing-In

K-1122-H
ARCHER™

5' (1.5 m) BATH WHIRLPOOL WITH HEATER

Product Information

Applicable product:			
Drop-in bath whirlpool with heater		K-1122-H	
Fixture*:			
Bathing well			
Basin area, bottom	45-1/8" (114.6 cm) x 19-11/16" (50 cm)		
Basin area, top	52-3/4" (134 cm) x 25-5/16" (64.3 cm)		
Weight	110 lbs (50 kg)		
To overflow			
Water depth	15" (38.1 cm)		
Capacity	58 gal (219.5 L)		
* Approximate measurements for comparison only.			
Drop-in cutout		58-1/2" (148.6 cm) x 30-1/2" (77.5 cm)	
Pump:	V	Hz	A
1-speed	120	60	7
Heater:	kW	V	Hz
	1.5	120	60
			A
			12.5
Pump is supplied with 24" (61 cm) grounding-type plug-in cord.			

Required accessories:

Clearflo slotted overflow brass bath drain OR	K-7271
Clearflo slotted overflow bath drain – PVC pipe	K-7272

Required Electrical Service

Two dedicated circuits required, each protected with Class A Ground-Fault Circuit-Interrupter (GFCI):

Pump/control	120 V, 15 A, 60 Hz
Heater	120 V, 15 A, 60 Hz

Installation Notes

Install this product according to the installation guide.

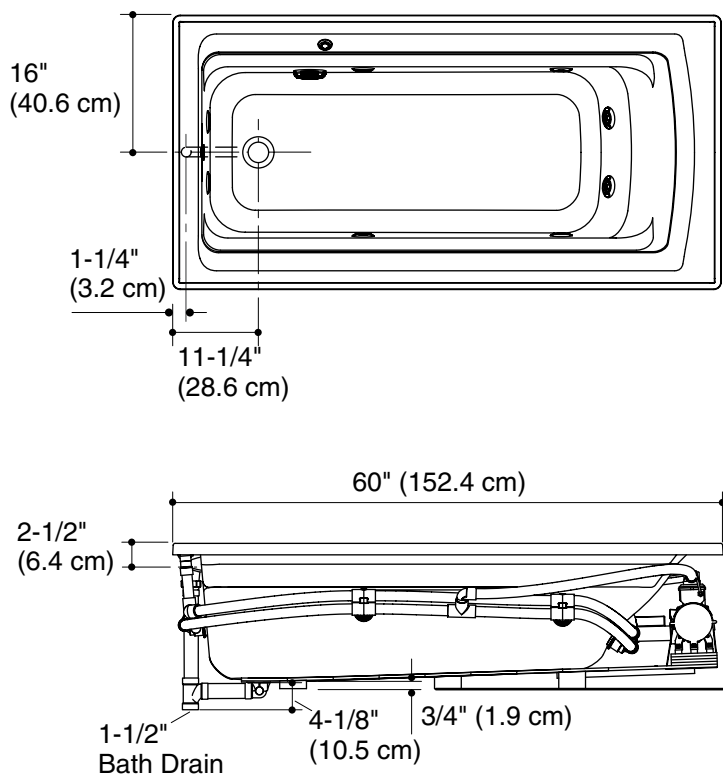
Floor support under this product must provide for a minimum of 46 lbs/square foot (227 kg/square meter) loading.

This product is designed for drop-in installation only. It is not suited for use in a three-wall alcove with an overhead shower.

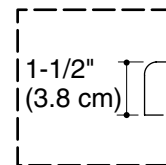
The hot water supply should be 70% of the capacity of the bath or greater. Installations will vary.

Will comply with **ADA** when installed per Section 607 Bathtubs of the Act.

Fixture conforms to ANSI Standard Z124.1.2. All dimensions are nominal.



No change in measurements if connected with drain illustrated. (K-7272)



Drop-in Rim Detail

Pump/Control Access
20" (50.8 cm) W x 15" (38.1 cm) H

