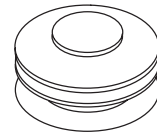


**CERAMIC LAVATORY FAUCET
K-11010**

FEATURES

- Vitreous body with polished chrome plated trim handle
- One-piece self-contained ceramic disc valve allows both volume and temperature control
- 2.2 gallons (8 L) per minute
- Lever handle
- Single-hole mounting
- Available with brass pop-up drain



CODES/STANDARDS APPLICABLE

Specified model meets or exceeds the following:

- ASME/ANSI A112.18.1M
- CSA International B125
- Energy Policy Act of 1992
- IAPMO/UPC listed
- NSF 61

COLORS/FINISHES

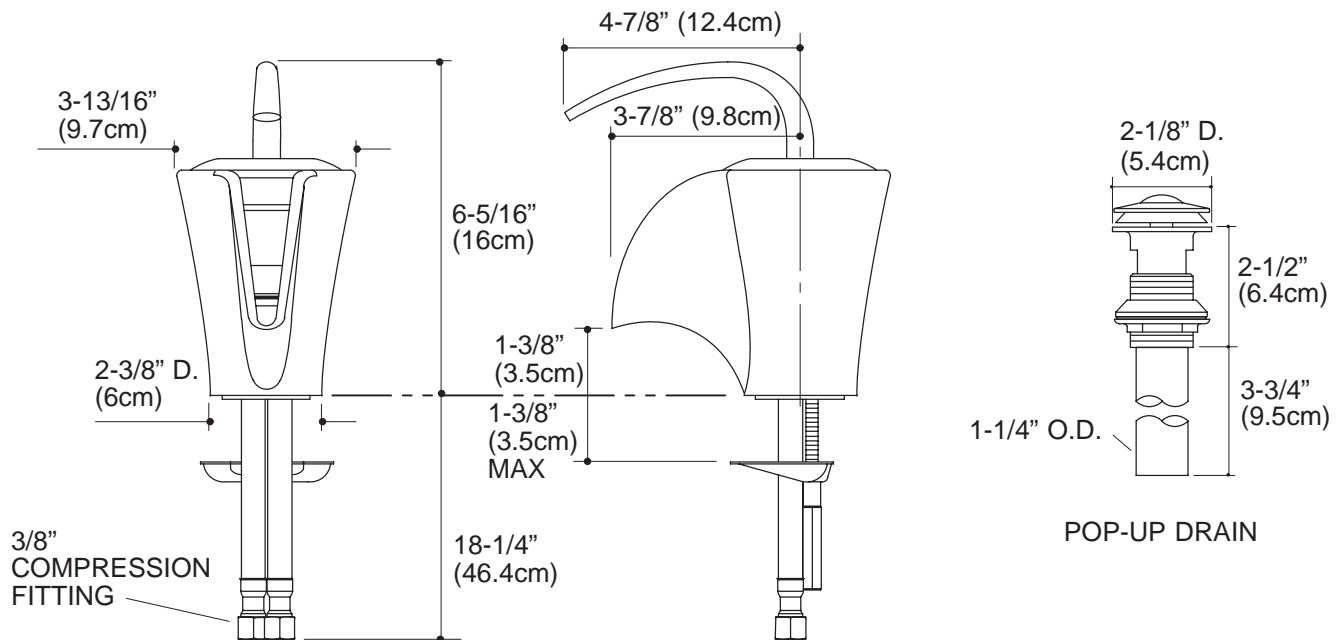
- 0 White
- 96 Biscuit
- 7 Black
- VT Silkweave™
- VB Imperial Blue™
- VC Cerena™

SPECIFIED MODEL:

Model	Description	<input type="checkbox"/> 0	<input type="checkbox"/> 96	<input type="checkbox"/> 7	<input type="checkbox"/> VT	<input type="checkbox"/> VB	<input type="checkbox"/> VC	
K-11010	Vitreous body with chrome plated trim, and pop-up drain	<input type="checkbox"/>	<input type="checkbox"/>	<input type="checkbox"/>	<input type="checkbox"/>	<input type="checkbox"/>	<input type="checkbox"/>	
K-11010	Vitreous body with French Gold trim, and pop-up drain	<input type="checkbox"/>						<input type="checkbox"/>

PRODUCT SPECIFICATION:

Single-control lavatory faucet shall be of vitreous body with plated trim handle. The valve shall be a one-piece, self-contained ceramic disc valve, and allows both volume and temperature control. Product shall be 2.2 gallons (8 L) per minute and lever handle. Product shall include single hole mounting and brass pop-up drain. Faucet shall be Kohler Model K-11010_____.



PRODUCT DIAGRAM