

**DEVONSHIRE® RITE-TEMP®**

**PRESSURE-BALANCING  
BATH/SHOWER VALVE TRIM**

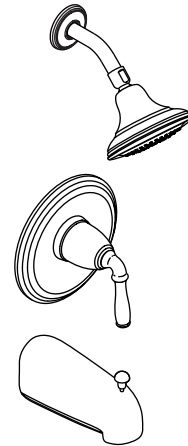
**K-T395**

**ALSO K-T396, K-T397**

**ADA**

**Features**

- Metal construction
- Brass valve bodies
- Rite-Temp® pressure-balancing diaphragm design valve
- High-temperature limit setting for added safety
- Pressure-balancing mechanism of one-piece diaphragm cartridge design for ease of maintenance
- Mixing valve cycles from "cold" to "hot"
- Lever handles
- Intended for use with Rite-Temp® or HiFlow Rite-Temp® valves



**Codes/Standards Applicable**

Specified model meets or exceeds the following:

- IAPMO/UPC
- ASME A112.18.1/CSA B125.1
- CSA International
- ADA

**Colors/Finishes**

- CP: Polished Chrome
- PB: Vibrant® Polished Brass
- Other: Refer to Price Book for additional colors/finishes

**Specified Model**

<b>Separate Trim and Rite-Temp® Valve:</b> For complete valve, both valve trim and Rite-Temp® valve must be specified.				
Model	Description	Colors/Finishes		
K-T395-4	Shower and valve trim, with NPT diverter spout	<input type="checkbox"/> CP	<input type="checkbox"/> PB	<input type="checkbox"/> Other ____
K-T395-4S	Shower and valve trim, with slip-fit diverter spout	<input type="checkbox"/> CP	<input type="checkbox"/> PB	<input type="checkbox"/> Other ____
K-T396-4	Shower and valve trim	<input type="checkbox"/> CP		<input type="checkbox"/> Other ____
K-T397-4	Valve trim	<input type="checkbox"/> CP	<input type="checkbox"/> PB	<input type="checkbox"/> Other ____

<b>Applicable Bath Spout</b>				
K-373	Non-diverter bath spout	<input type="checkbox"/> CP	<input type="checkbox"/> PB	<input type="checkbox"/> Other ____
K-373-S	Slip-fit diverter bath spout	<input type="checkbox"/> CP	<input type="checkbox"/> PB	<input type="checkbox"/> Other ____
K-389	Non-diverter bath spout	<input type="checkbox"/> CP	<input type="checkbox"/> PB	<input type="checkbox"/> Other ____
K-389-S	Slip-fit diverter bath spout	<input type="checkbox"/> CP	<input type="checkbox"/> PB	<input type="checkbox"/> Other ____

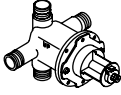
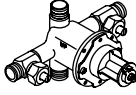
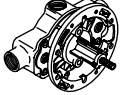
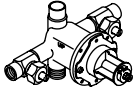
Required, recommended and optional accessories are shown on Page 2.

**Product Specification**

Rite-Temp® pressure-balancing single-control bath and shower valve shall be of metal construction. Valve shall feature a brass valve body. The valve shall mix the water from the "off" position, though the "cold" to the "hot", and includes a high-temperature limit stop. The pressure-balancing mechanism shall be of one-piece diaphragm cartridge design for ease of maintenance. Bath and shower valve shall include showerhead with arm and flange, faceplate with handle, and 5-1/4" (13.3 cm) diverter spout with NPT or slip-fit connection. Complete valve shall be Kohler Model K-\_\_\_\_-\_\_\_\_-\_\_\_\_ with K-\_\_\_\_-\_\_\_\_-NA Rite-Temp® valve.

# DEVONSHIRE® RITE-TEMP®

## Technical Information

Required Accessories					
K-304-K	Rite-Temp valve without stops, NPT connections	<input type="checkbox"/> NA			
K-304-KS	Rite-Temp valve with stops, NPT connections		<input type="checkbox"/> NA		
K-306-KS	HiFlow Rite-Temp valve with stops, NPT conn.			<input type="checkbox"/> NA	
K-304-KP	Rite-Temp valve with PVC connections				<input type="checkbox"/> NA

Recommended Accessories			
88526	HiFlow Rite-Temp® thin wall installation kit	<input type="checkbox"/> CP	<input type="checkbox"/> Other

Optional Accessories	
1030932	Deep roughing-in kit for Rite-Temp® valve (lever handles) <input type="checkbox"/> NA

## Installation Notes

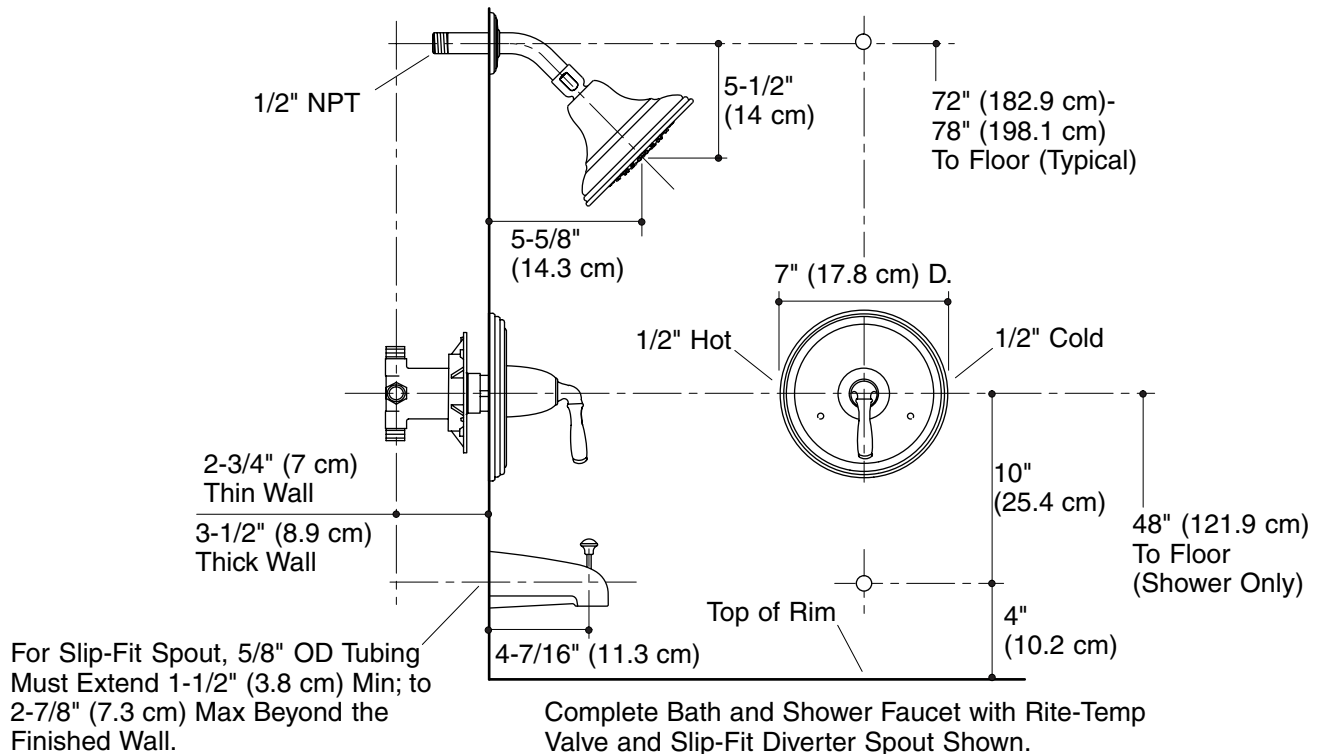


**WARNING: Risk of damage to the K-306-KS valve assembly.** When using the K-306-KS valve in a fiberglass or acrylic installation, use the thin wall installation kit (88526).

Avoid cross-flow conditions. Do not install shut-off device on either valve outlet.

Cap shower outlet if deck-mounted spout, diverter, or handshower is connected to the spout outlet.

Install straight pipe or tube drop of 7" (17.8 cm) to 18" (45.7 cm) with single elbow between valve and wall-mount spout.



## Product Diagram