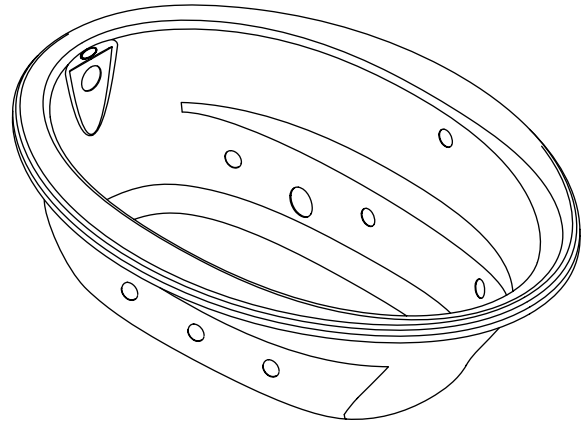


### 6' BATH WHIRLPOOL K-1164

#### Features

- Acrylic
- Oval shape
- Drop-in
- 6 individually adjustable ProFlex™ hydro-massage jets
- 1-1/4 hp pump with air switch and grounding-type plug-in cord
- Molded lumbar supports and armrests
- 72" (182.9 cm) x 42" (106.7 cm) x 21" (53.3 cm)



#### Codes/Standards Applicable

Specified model meets or exceeds the following:

- ANSI Z124.1
- IAPMO/UPC
- ASME A112.19.7M

#### Colors/Finishes

- 0: White
- Other: Refer to Price Book for additional colors/finishes

#### Accessories:

- CP: Polished Chrome
- Other: Refer to Price Book for additional colors/finishes
- NA: None applicable

#### Specified Model

Model	Description	Colors/Finishes	
K-1164	Oval whirlpool, drop-in (shown)	<input type="checkbox"/> 0 White	<input type="checkbox"/> Other_____
<b>Recommended Accessory</b>			
K-11677	Drain	<input type="checkbox"/> CP	
<b>Optional Accessories</b>			
K-9696	Whirlpool trim kit	<input type="checkbox"/> CP	<input type="checkbox"/> Other _____

#### Product Specification:

The oval shaped bath shall be 72" (182.9 cm) in length, 42" (106.7 cm) in width, and 21" (53.3 cm) in height. Drop-in bath whirlpool shall be made of acrylic. Bath whirlpool shall have 6 individually adjustable ProFlex™ hydro-massage jets. Bath whirlpool shall have 1-1/4 hp pump with air switch and grounding-type plug-in cord. Bath whirlpool shall have molded lumbar supports and armrests. Bath whirlpool shall be Kohler Model K-1164-\_\_\_\_\_-\_\_\_\_\_.

# SUNWARD™

## Technical Information

Fixture:*	basin area	top area	weight
Bathing well	55-1/4" (140.3 cm) x 23-1/2" (59.7 cm)	64-1/2" (163.8 cm) x 32" (81.3 cm)	112 lbs. (50.9 kg)
	water depth	capacity	
To overflow	15" (38.1 cm)	75 gal. (284.1 L)	

\* Approximate measurements for comparison only.

Pump:	HP	V	Hz	A
1-speed	1-1/4	120	60	7.5

Minimum access panel pump/control:  
20" (50.8 cm) W x 15" (38.1 cm) H required

Included Components:	
Cut-out template	1042557-7

## Required Electrical Service

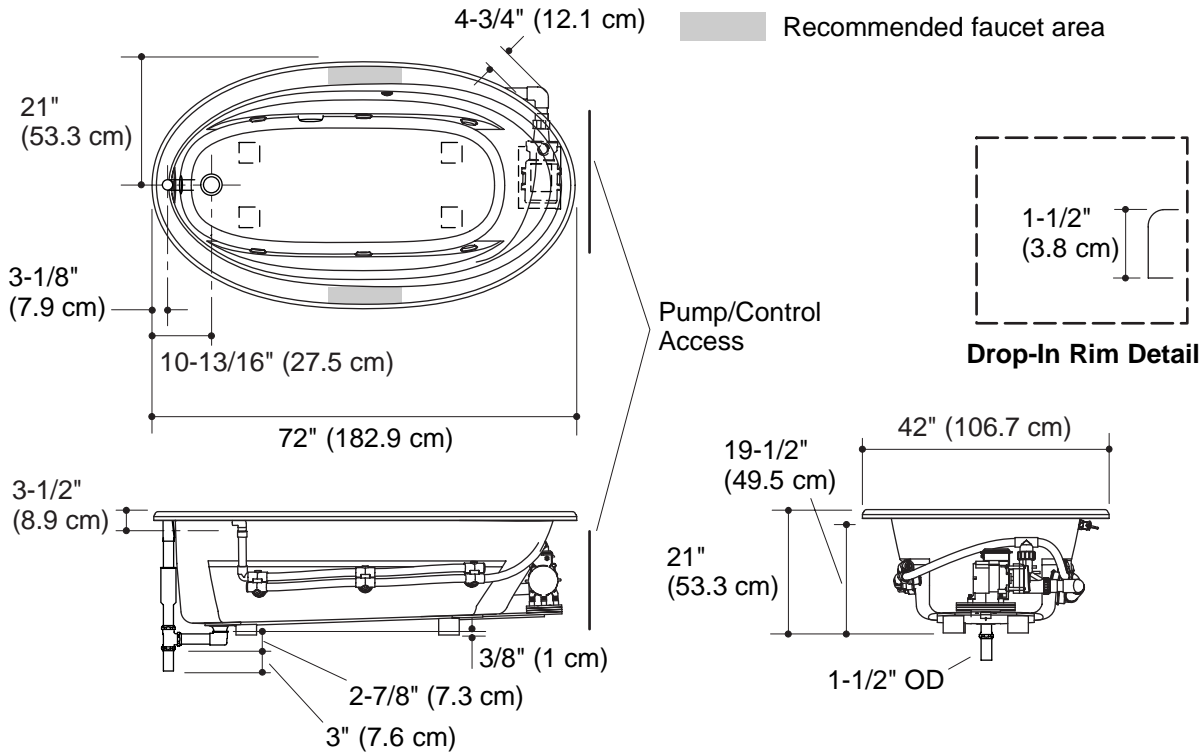
Dedicated circuit required, protected with Class A Ground-Fault Circuit-Interrupter (GFCI):

Pump/control	120 V, 15 A, 60 Hz
Locate the outlet behind the whirlpool and within 24" (61 cm) of the pump.	

## Installation Notes

Install this product according to the installation guide.

Floor support under whirlpool must provide for a minimum of 80 lbs./square foot (390 kg/square meter) loading.



No change in measurements if connected with drain illustrated. (K-11677 or K-11677M)

Recommended faucet area

## Product Diagram