

KOHLER® Roughing-In

K-1157-H, K-1157-LH/-RH PROFLEX® 7236 BATH WHIRLPOOL WITH HEATER

Product Information

Applicable products:	
Bath whirlpool with heater – drop-in	K-1157-H
Bath whirlpool with heater – left drain, tile flange	K-1157-LH
Bath whirlpool with heater – right drain, tile flange	K-1157-RH

Fixture*:	
Basin area:	
Bathing well	55" (139.7 cm) x 21" (53.3 cm)
Top area	65" (165.1 cm) x 26" (66 cm)
Weight	71 lbs (32.2 kg)
To overflow:	
Water depth	15" (38.1 cm)
Capacity	72 gal (272.5 L)
* Approximate measurements for comparison only.	

Pump:	V	Hz	A
1-speed	120	60	7.5
Heater:	kW	V	Hz
	1.5	120	60
	A		
			12.5

Required Electrical Service

Two dedicated circuits required, each protected with Class A Ground-Fault Circuit-Interrupter (GFCI):	
Pump/control	120 V, 15 A, 60 Hz
Heater:	120 V, 15 A, 60 Hz
Locate the outlets behind the whirlpool and within 24" (61 cm) of the pump.	

Installation Notes

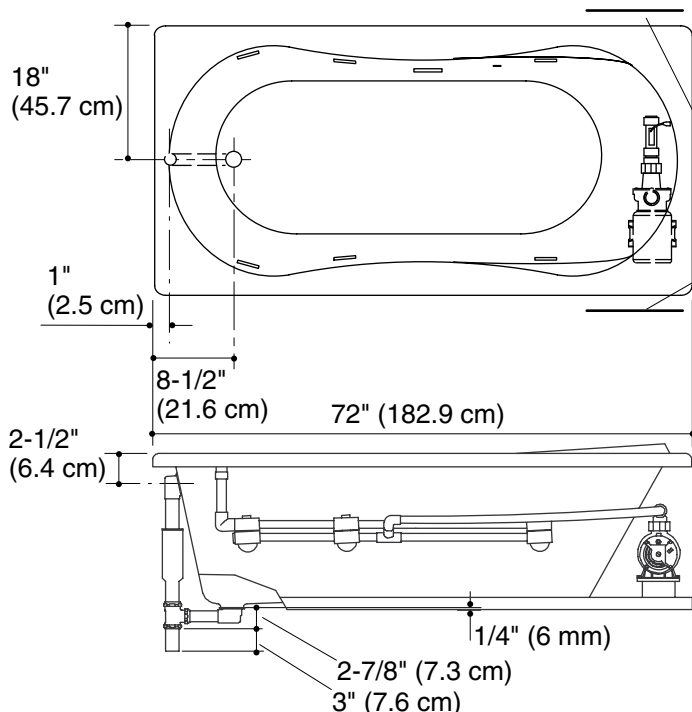
Install this product according to the installation guide.

Floor support under whirlpool must provide for a minimum of 39 lbs/square foot (189 kg/square meter) loading.

The apron must be installed before the finished floor and wall materials are installed.

Fixture conforms to ANSI Standard Z124.1.2. All dimensions are nominal.

No change in measurements if connected with drain illustrated. (K-11677 or K-11677M)



Pump/Control Access
(If Apron Is Not Used)
20" (50.8 cm) W x
15" (38.1 cm) H

