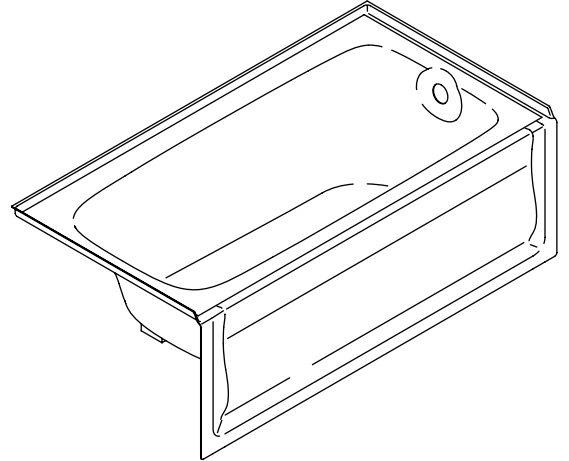


Features

- Acrylic
- Integral apron
- Integral tile flange
- 60 gallon (227.1 L) capacity
- Molded lumbar supports
- 60" (152.4 cm) x 32" (81.3 cm) x 20" (50.8 cm)

BATH WITH INTEGRAL APRON K-1150-LA/RA



Codes/Standards Applicable

Specified model meets or exceeds the following:

- ANSI Z124.1
- IAPMO/UPC
- Listed in State of Massachusetts

Colors/Finishes

- 0: White
- Other: Refer to Price Book for additional colors/finishes

Specified Model

Model	Description	Colors/Finishes		
K-1150-LA	Bath with left drain and integral apron	<input type="checkbox"/> 0 White	<input type="checkbox"/> Other _____	
K-1150-RA	Bath with right drain and integral apron (shown)	<input type="checkbox"/> 0 White	<input type="checkbox"/> Other _____	
Recommended Accessories				
K-11677	Drain	<input type="checkbox"/> CP	<input type="checkbox"/> PB	<input type="checkbox"/> Other _____

Product Specification:

The bath shall be 60" (152.4 cm) in length, 32" (81.3 cm) in width, and 20" (50.8 cm) in height. Bath shall be made of acrylic. Bath shall have integral apron and integral tile flange. Bath shall have molded lumbar supports. Bath shall have a capacity of 60 gallons (227.1 L). Bath shall be Kohler Model K-1150-_____-_____.

BANCROFT™ 5'

Technical Information

K-1150-LA	Bath with left drain and integral apron		shown
K-1150-RA	Bath with right drain and integral apron		not shown
Fixture:*	basin area	top area	weight
Bathing well	45" (114.3 cm) x 22" (55.9 cm)	54" (137.2 cm) x 25" (63.5 cm)	
Bath with apron			80 lbs. (36.3 kg)
	water depth	capacity	
To overflow	15" (38.1 cm)	60 gal. (227.1 L)	

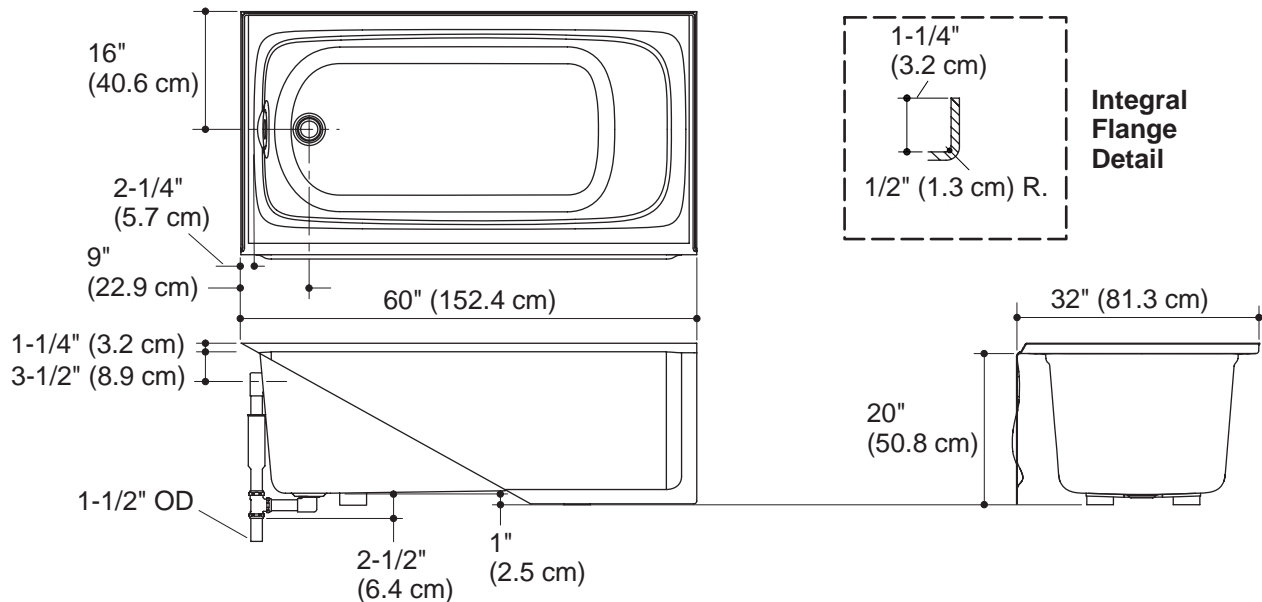
* Approximate measurements for comparison only.

Installation Notes

Install this product according to the installation guide.

Unless otherwise specified, floor support under bath must provide for a minimum of 80 lbs./square foot (390 Kg./square meter) loading.

No change in measurements if connected with drain illustrated. (K-11677)



Product Diagram