

KOHLER®

Roughing-In

K-1126-HN

PROFLEX® 6042

CUSTOM BATH WHIRLPOOL WITH HEATER

Product Information

Applicable product:			
Custom bath whirlpool – drop-in		K-1126-HN	
Fixture*:			
Basin area:			
Bathing well	46" (116.8 cm) x 21" (53.3 cm)		
Top area	55" (139.7 cm) x 31" (78.7 cm)		
Weight	72.5 lbs (32.9 kg)		
To overflow:			
Water depth	14" (35.6 cm)		
Capacity	57 gal (215.8 L)		
* Approximate measurements for comparison only.			
Drop-in cut-out	58-1/4" (148 cm) x 40-1/2" (102.9 cm)		
Pump:	V	Hz	A
1-speed	120	60	7.5
Heater:	kW	V	Hz
	1.5	120	60
		A	12.5

Required Electrical Service

Two dedicated circuits required, each protected with Class A Ground-Fault Circuit-Interrupter (GFCI):	
Pump/control	120 V, 15 A, 60 Hz
Heater	120 V, 15 A, 60 Hz
Locate the outlets behind the whirlpool and within 24" (61 cm) of the pump.	

Installation Notes

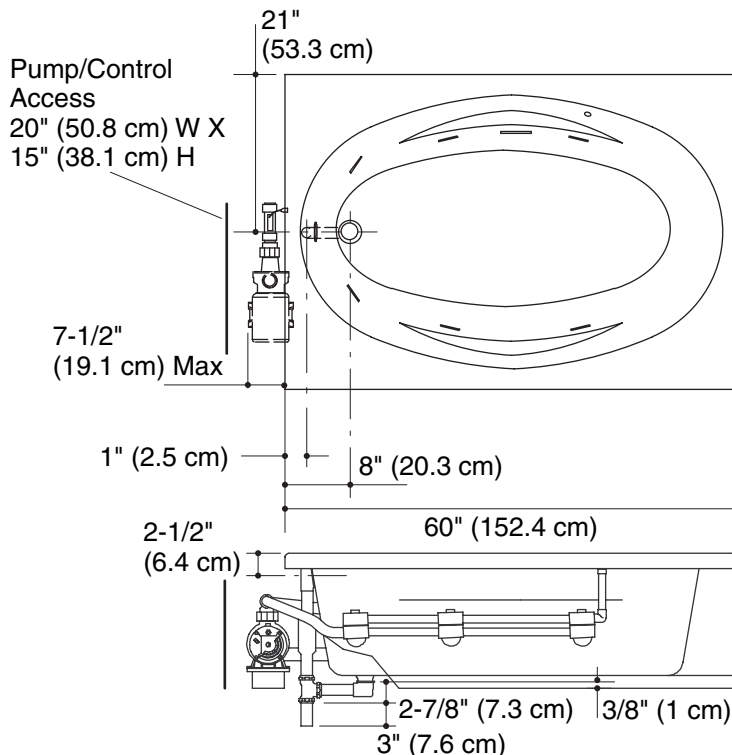
Install this product according to the installation guide.

Floor support under whirlpool must provide for a minimum of 33 lbs/square foot (159.9 Kg/square meter) loading.

The apron must be installed before the finished floor and wall materials are installed.

Pump must be relocated to custom position at the time of installation. Provide adequate clearance.

Fixture conforms to ANSI Standard Z124.1.2. All dimensions are nominal.



No change in measurements if connected with drain illustrated. (K-11677 or K-11677M)

