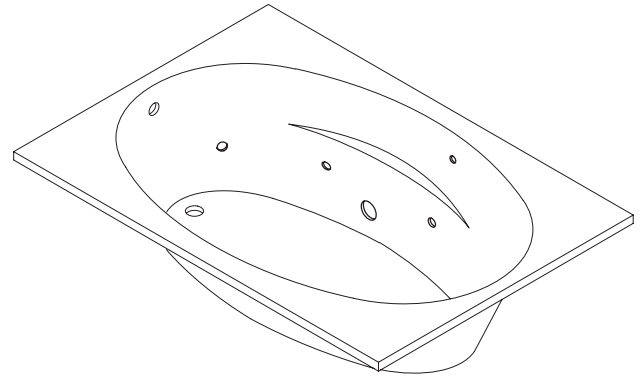


### ACRYLIC CUSTOM BATH WHIRLPOOL WITH HEATER

# K-1126-HN

#### FEATURES

- 60" (152.4cm) x 42" (106.7cm) x 18-1/8" (46cm)
- Acrylic
- Drop-in
- 6 individually adjustable ProFlex hydro-massage jets
- 1-1/4 HP pump with air switch and cord with plug
- In-line heater
- Molded lumbar supports and armrests
- UL listed
- Optional K-1284 separate apron
- Optional K-9696 whirlpool trim kit in various finishes
- Optional K-1639 timer kit



#### CODES/STANDARDS APPLICABLE

Specified model meets or exceeds the following:

- ASME/ANSI A112.19.7M
- ANSI Z124.1
- IAPMO/UPC
- Underwriters Laboratories (UL)
- State of Massachusetts

#### COLORS/FINISHES

- 0 White
- Other Refer to Fixtures Price Book for additional colors

#### Accessories:

- CP Polished Chrome
- PB Polished Brass
- Other Refer to Price Book for additional finishes
- NA None Applicable

#### SPECIFIED MODEL:

Model	Description	Colors/Finishes	
K-1126-HN	Whirlpool, drop-in, custom pump (shown)	<input type="checkbox"/> 0 White	<input type="checkbox"/> Other _____
<b>Recommended Accessories</b>			
K-11677	Drain		<input type="checkbox"/> CP
<b>Optional Accessories</b>			
K-1284	Separate apron with removable panel for front access	<input type="checkbox"/> 0 White	<input type="checkbox"/> Other _____
K-9696	Jet trim kit (metal finishes)	<input type="checkbox"/> CP <input type="checkbox"/> PB	<input type="checkbox"/> Other _____
K-1639	Timer Kit		<input type="checkbox"/> NA

#### PRODUCT SPECIFICATION:

The bath whirlpool shall be 60" (152.4cm) in length, 42" (106.7cm) in width, and 18-1/8" (46cm) in height. Drop-in bath whirlpool shall be made of acrylic. Bath whirlpool shall have 6 individually adjustable ProFlex hydro-massage jets, 1-1/4 HP pump with air switch and cord with plug and in-line heater with cord and plug. Bath whirlpool shall have molded lumbar supports and armrests. Bath whirlpool shall be UL listed. Bath whirlpool shall have optional K-1284 separate apron. Bath whirlpool shall have optional K-9696 trim kit. Bath whirlpool shall have optional K-1639 timer kit. Bath whirlpool shall be Kohler Model K-1126-HN-\_\_\_\_\_.

# PROFLEX™ 6042

## PRODUCT INFORMATION

Fixture*:	basin area	top area	weight
Bathing well	46" (116.8cm) x 21" (53.3cm)	55" (139.7cm) x 31" (78.7cm)	72-1/2 lbs. (32.9kg)
	water depth	capacity	
To overflow	14" (35.6cm)	57 gal. (215.8L)	

\* Approximate measurements for comparison only.

Pump:	HP	V	Hz	A
1-speed	1-1/4	120	60	7.5
Heater:	kw	V	Hz	A
	1.5	120	60	12.5

## REQUIRED ELECTRICAL SERVICE

Two dedicated circuits required, each protected with Class A Ground-Fault Circuit-Interrupter (GFCI):

Pump/control	120 V, 15 A, 60 Hz
--------------	--------------------

Heater	120 V, 15 A, 60 Hz
--------	--------------------

Locate the outlets behind the whirlpool and within 24" (61cm) of the pump and heater.

## INSTALLATION NOTES

Install this product according to the installation guide.

Floor support under whirlpool must provide for a minimum of 80 lbs./square foot (390 Kg./square meter) loading.

The apron must be installed before the finish floor and wall materials are installed.

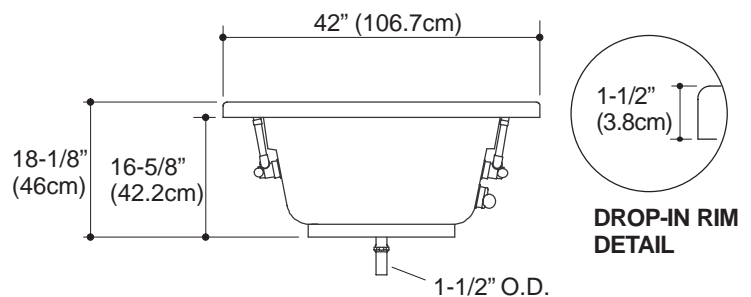
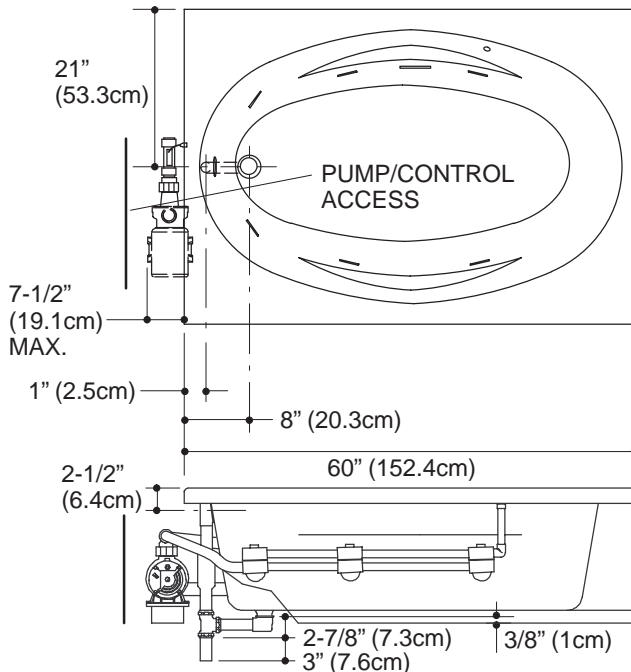
Pump must be relocated to custom position at the time of installation. Provide adequate clearance.

No change in measurements if connected with drain illustrated. (K-11677 or K-11677M)

Drop-in cut-out	58-1/4" (148cm) x 40-1/2" (102.9cm)
-----------------	-------------------------------------

Minimum access panel:

Pump/control	20" (50.8cm) W x 15" (38.1cm) H	required
--------------	---------------------------------	----------



## PRODUCT DIAGRAM