



### Features

- Integral flange.
- Right drain.
- Integral lumbar support and armrests for comfort.
- Integral apron with removable access panel.
- 72" (1829 mm) x 42" (1067 mm) x 21" (533 mm)

### Material

- Acrylic

### Hydrotherapy

- Single-speed whirlpool offers six fully adjustable hydro-massage jets for water flow and direction.
- Pump with air switch for whirlpool.

### Installation

- Alcove

### Recommended Accessories

- K-7166-AF Bath Drain
- K-11677 Bath Drain
- K-24916 Wireless Music Kit



### Codes/Standards




- ASME A112.19.7/CSA B45.10
- CSA B45.5/IAPMO Z124
- ASTM E162
- ASTM E662
- UL 1795
- Greenguard UL 2818 - Gold
- CARB P2

### KOHLER® One-Year Limited Warranty

See website for detailed warranty information.

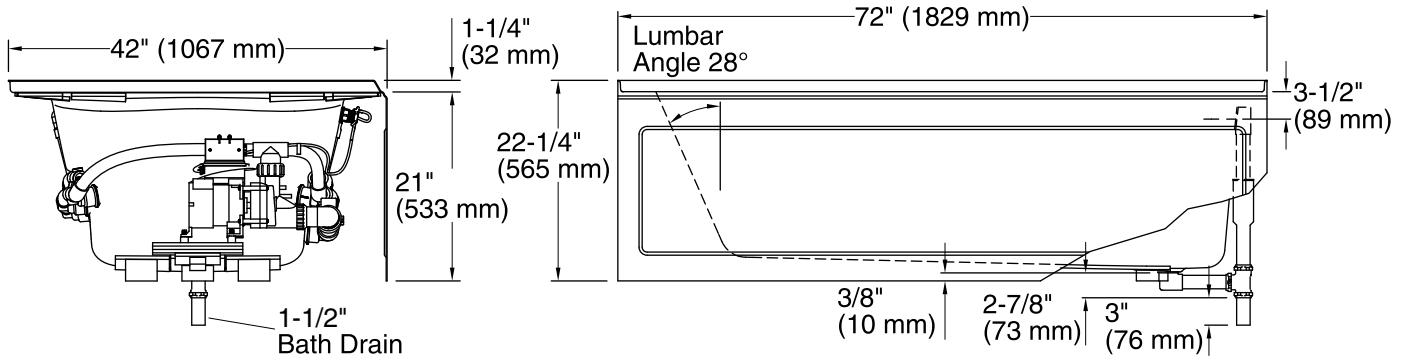
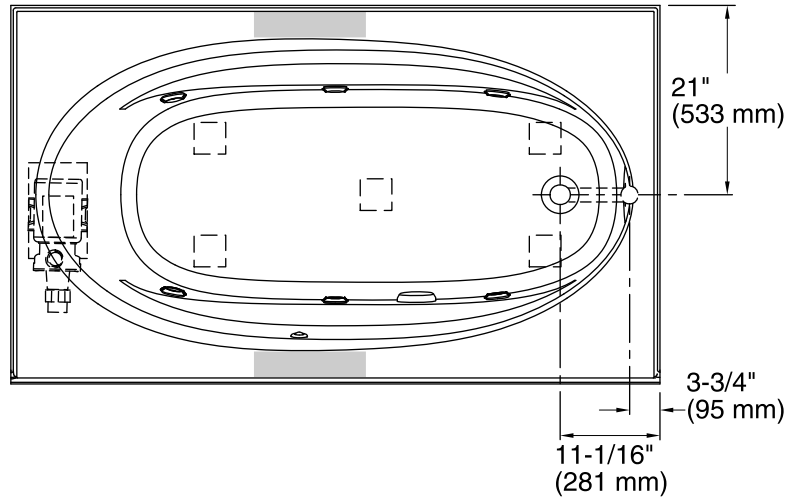
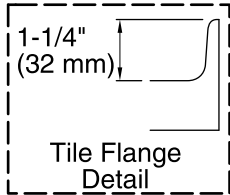
### Available Color/Finishes

*Color tiles intended for reference only.*

| Color  | Code | Description |
|--|------|-------------|
|  | 0    | White       |
|  | 96   | Biscuit     |
|  | 47   | Almond      |

No change in measurements if connected with drain illustrated. (K-11677)

Recommended faucet area



### Required Electrical Service

One dedicated circuit required, protected with Class A Ground-Fault Circuit-Interrupter (GFCI) or Residual Current Device (RCD).

Pump: 120 V, 15 A, 60 Hz

### Technical Information

All product dimensions are nominal.

Installation: 3-Wall Alcove  
 Drain location: Right  
 Basin area, bottom: 55" x 23-1/4" (1397 mm x 591 mm)  
 Basin area, top: 64" x 32" (1626 mm x 813 mm)  
 Weight: 132 lbs (59.9 kg)  
 Minimum floor load: 39 lbs/ft<sup>2</sup> (190.4 kg/m<sup>2</sup>)  
 Water depth: 15" (381 mm)  
 Water capacity: 78.5 gal (297.2 L)  
 Electrical component rating: Pump: 120 V, 7.5 A, 60 Hz  
 Pump speed: Single  
 Minimum flat for door: 3-1/16" (78 mm)

### Notes

Measure your actual product for rough-in details.

Install this product according to the installation instructions.

The hot water supply should be 70% of the capacity of the bath or greater. Installations will vary.

Provide one grounded electrical outlet within 24" (610 mm) of each component.

If installing a rim-mount faucet, make sure there is no interference with the drain overflow and circulating system before drilling any holes. Consult local and national codes for minimum air gap requirements if installing a spout on the faucet deck.