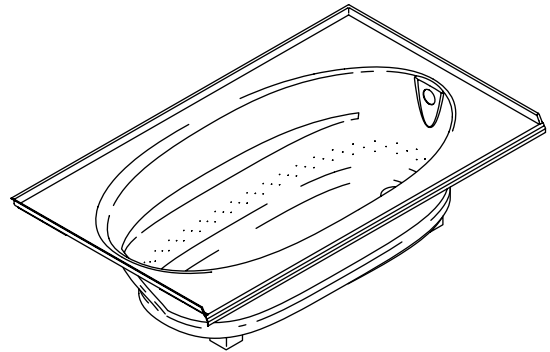


### Features

- Acrylic
- Rectangular shape
- Drop-in, 3-side integral flange
- 120 BubbleMassage™ airjets
- Blower motor is supplied with a grounding-type plug-in cord
- Molded lumbar supports and armrests
- Blower motor with 300 W heater and electronic user control
- 72" (182.9 cm) x 42" (106.7 cm) x 21" (53.3 cm)

### BATH WITH AIRJETS K-1114-GLF ALSO K-1114-GRF



### Codes/Standards Applicable

Specified model meets or exceeds the following:

- ANSI Z124.1.2
- IAPMO IGC 171
- ASTM E162
- ASTM E662
- UL 1795

### Colors/Finishes

- 0: White
- Other: Refer to Price Book for additional colors/finishes

### Accessories

- CP: Polished Chrome
- Other: Refer to Price Book for additional colors/finishes

### Specified Model

Model	Description	Colors/Finishes	
K-1114-GLF	Bath with airjets – left drain	<input type="checkbox"/> 0	<input type="checkbox"/> Other _____
K-1114-GRF	Bath with airjets – right drain (shown)	<input type="checkbox"/> 0	<input type="checkbox"/> Other _____
<b>Recommended Accessories</b>			
K-7166-AF	Pop-up drain with tailpiece – above or through-the-floor installation <b>OR</b>	<input type="checkbox"/> CP	<input type="checkbox"/> Other _____
K-11677	Trip lever drain with tailpiece – through-the-floor installation	<input type="checkbox"/> CP	<input type="checkbox"/> Other _____

### Product Specification

The acrylic bath with airjets shall be 72" (182.9 cm) in length, 42" (106.7 cm) in width, and 21" (53.3 cm) in height. Product shall be available as drop-in, 3-side integral flange. Product shall have a blower motor with 300 W heater, and an electronic user control. Product shall include a blower motor which is supplied with a grounding-type plug-in cord. Product shall be rectangular in shape. Product shall feature 120 BubbleMassage airjets, molded lumbar supports, and molded armrests. Bath with airjets shall be Kohler Model K-1114-\_\_\_\_-\_\_\_\_.

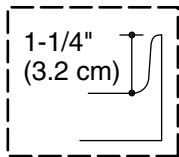
# WINDWARD™

## Technical Information

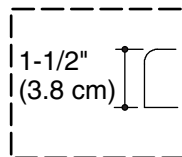
Fixture*:				
Bathing well:				
Basin area bottom	55" (139.7 cm) x 23-1/4" (59.1 cm)			
Basin area top	64" (162.6 cm) x 32" (81.3 cm)			
Weight	132 lbs (60 kg)			
To overflow:				
Water depth	15" (38.1 cm)			
Capacity	78.5 gal (297 L)			
* Approximate measurements for comparison only.				
Drop-in cutout dimensions:				
70-1/2" (179.1 cm) x 40-1/2" (102.9 cm)				
Blower motor	Heater	V	Hz	A
	300 W	120	60	5
Minimum access panel blower motor:				
20" (50.8 cm) W x 15" (38.1 cm) H			required	

No change in measurements if connected with drain illustrated. (K-11677 or K-11677M)

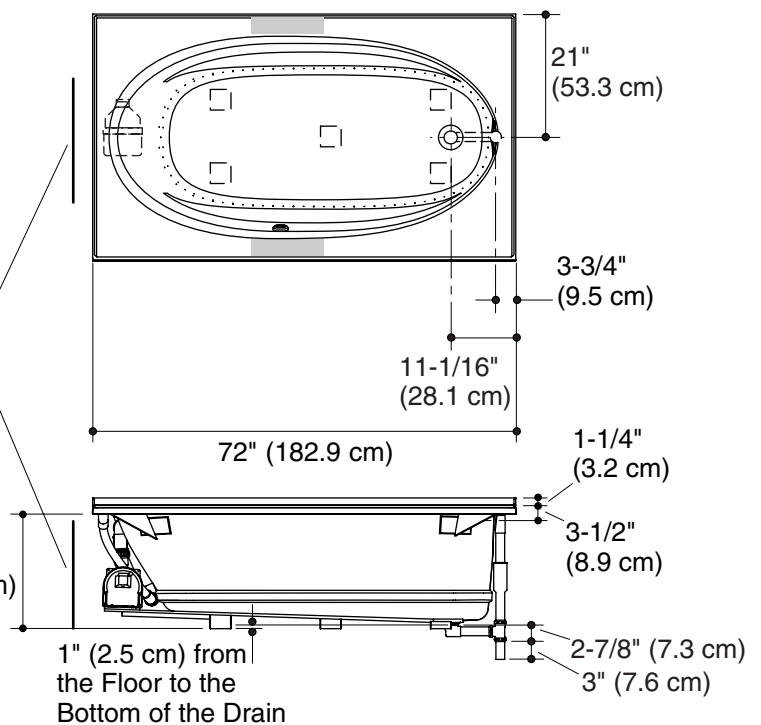
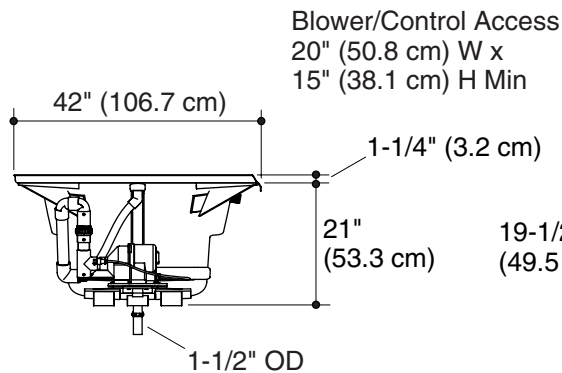
Recommended faucet area



**Tile Flange Detail**



**Drop-In Rim Detail**



## Product Diagram

## Required Electrical Service

Dedicated circuit required, protected with a Class A Ground-Fault Circuit-Interrupter (GFCI):	
Pump/control	120 V, 5 A, 60 Hz
Locate the outlet behind the bath and within 24" (61 cm) of the pump.	

## Installation Notes

Install this product according to the installation guide.

Floor support under this product must provide for a minimum of 39 lbs/square foot (190 kg/square meter) loading.

If installing a rim-mount faucet, make sure there is no interference with the drain overflow and circulating system before drilling any holes. Consult local and national codes for minimum air gap requirements if installing a spout on the faucet deck.