

Installation Guide

Bath Whirlpool

K-1106, K-1112, K-1114,
K-1126, K-1131, K-1139,
K-1144, K-1154, K-1157,
K-1160, K-1192, K-1194,
K-1209, K-1224, K-1239,
K-1244, K-1257

M product numbers are for Mexico (i.e. K-12345**M**)
Los números de productos seguidos de **M** corresponden a México
(Ej. K-12345**M**)
Français, page "Français-1"
Español, página "Español-1"

THE BOLD LOOK
OF **KOHLER**®

Important Information



WARNING: When using electrical products, basic precautions should always be followed, including the following:

Building materials and wiring should be routed away from the pump body and other heat-producing components of the unit.

Install to permit access for servicing.

Grounding is required. The unit should be installed by a qualified service representative, and grounded.



WARNING: Risk of electric shock. A qualified electrician should make all electrical connections.



WARNING: Risk of electric shock. Disconnect power before servicing.



WARNING: Risk of injury or property damage. Please read all instructions thoroughly before beginning installation, including the following requirements.

NOTICE: Follow all local plumbing and electrical codes.

Product Information

Electrical Requirements

The installation must have a Class A Ground-Fault Circuit-Interrupter (GFCI) or Residual Current Device (RCD). The GFCI or RCD protects against line-to-ground shock hazard. Use a 120 V, 15 A, 60 Hz dedicated service for the whirlpool.

"H" models require a separate 120 V, 15 A, 60 Hz dedicated service for the heater.

NOTE: If the pump supply cord is damaged, it must be replaced by the manufacturer, its service agent or similarly qualified persons in order to avoid a hazard. The heater supply cord cannot be replaced. If the cord is damaged the heater should be replaced.

Product Notices



WARNING: Unauthorized modification may cause unsafe operation and poor performance of the whirlpool. Do not relocate the whirlpool pump, or make other modifications to the whirlpool system, as this could adversely affect the performance and safe operation of the whirlpool. Kohler Co. shall not be liable under its warranty or otherwise for personal injury or damage caused by any such unauthorized modification.



WARNING: Risk of electrical shock. Disconnect power before servicing.



WARNING: Risk of electrical shock. A qualified electrician should make all electrical connections.



WARNING: Risk of injury or property damage. Please read all instructions thoroughly before beginning installation.

NOTICE: Follow all local plumbing and electrical codes.

Factory-Assembled Features

Factory installed components include pump with power supply cord and air switch transmitter. No installation is needed.

"H" models are also supplied with a factory assembled heater.

The whirlpool pump and piping are factory-assembled.

Connections and Service Access

Before installation, ensure proper access to the final connections.

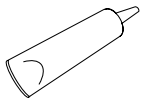
Product Information (cont.)

NOTICE: Provide unrestricted service access to the pump. You must provide access for servicing the pump and controls. The access must be located immediately next to the pump. Study the Roughing-In Guide packed with the whirlpool.

Table of Contents

Important Information	2
Product Information	2
Tools and Materials	3
Before You Begin	4
Prepare the Site	5
Prepare the Whirlpool	5
Secure the Unit — Models With Support Blocks	6
Secure the Unit — Models With Whirlpool Base	7
Secure the Whirlpool to the Stud Framing	8
Cut the Pump Banding Straps — Models With Support Blocks	8
Install the Plumbing	8
Make Electrical Connections	9
Test Run the Whirlpool	9
Complete the Finished Wall	10
Removing the Apron	10
Clean-Up After Installation	10
Confirm Proper Operation	11
Troubleshooting	12

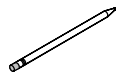
Tools and Materials



Silicone Sealant



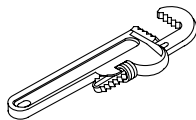
Tape Measure



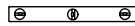
Pencil



Safety Glasses



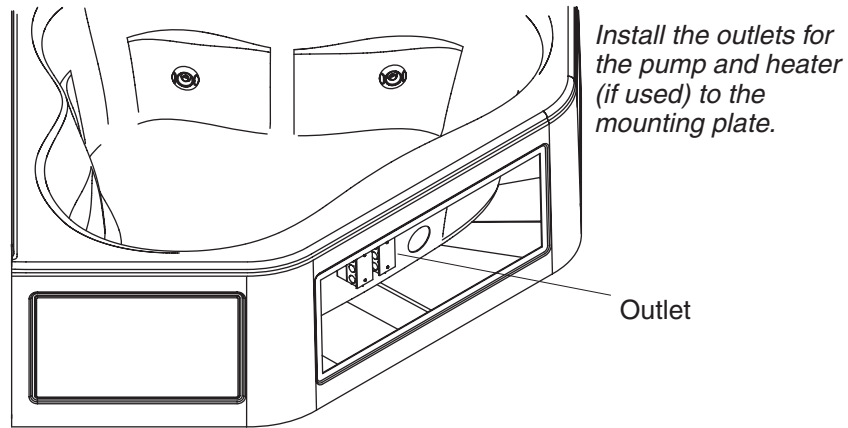
Pipe Wrench



Level

Plus:

- Conventional woodworking tools and materials
- Drop Cloth
- Construction adhesive (optional)
- Cement or mortar (optional)
- 2x4s or 2x6s
- Screws or Lag Bolts



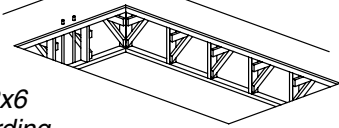
Before You Begin

- **For whirlpools without an apron:** A drop-in installation is necessary. **For whirlpools with integral or optional apron:** An alcove or corner installation is recommended, depending upon the model chosen.
- **For corner units with integral apron:** Have a qualified electrician install the outlets for the pump and heater (if used) at the specified location on the whirlpool. Refer to the above illustration.
- Inspect the whirlpool for damage before you begin installation.
- Confirm adequate mounting and connection space for the faucet specified for your installation.
- Kohler Co. reserves the right to make revisions in the design of products without notice, as specified in the Price Book.

Position the rough plumbing.

Frame the floor according to the roughing-in information.

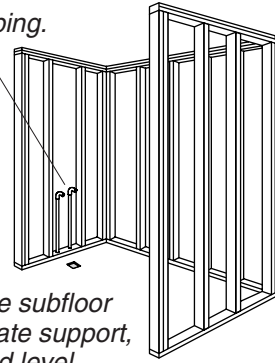
Construct 2x4 or 2x6 stud framing according to the roughing-in information.



Verify that the subfloor offers adequate support, and is flat and level.

Position the rough plumbing.

Verify that the subfloor offers adequate support, and is flat and level.



Construct 2x4 or 2x6 stud framing according to the roughing-in information.

1. Prepare the Site

NOTICE: Refer to the Roughing-in Guide packed with your whirlpool for the required minimum lb/square foot (kg/square meter) floor support loading.

- Make sure the flooring offers adequate support for your whirlpool, and verify that the subfloor is flat and level.

For Whirlpools without Apron:

NOTICE: The whirlpool should be installed in a drop-in installation.

- Construct 2x4 or 2x6 stud framing for your installation.

NOTICE: The whirlpool must be supported by its feet or base. Do not support the load weight of the whirlpool by the perimeter of the rim.

- **For a raised installation:** Frame the floor or construct a frame in accordance with the roughing-in information packed with the whirlpool.
- Carefully lay out and cut the rough deck material. Use the cut-out template, if one is provided, or refer to the Roughing-In Guide for cutout information.

For Whirlpools with Integral or Optional Apron:

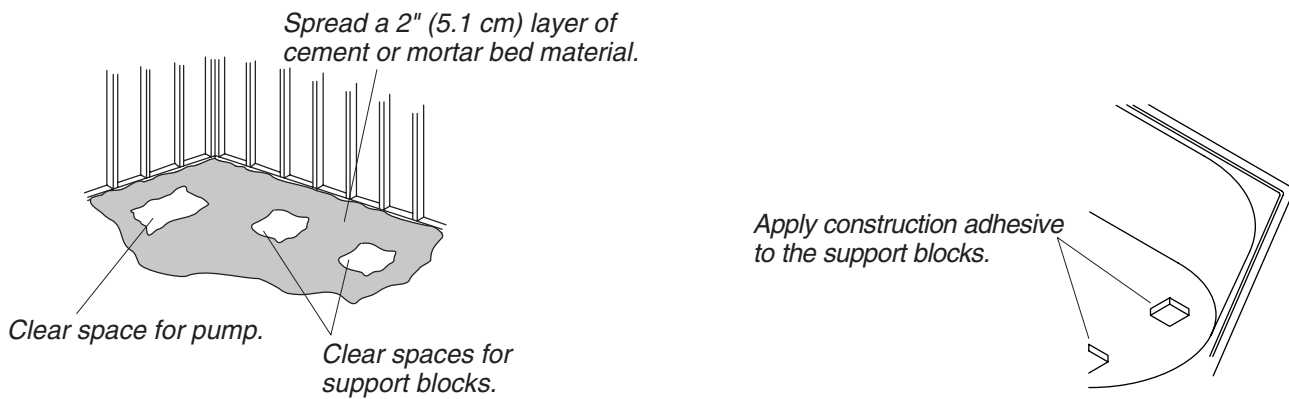
- The whirlpool should be installed in an alcove or corner installation, depending upon the model chosen. Construct 2x4 or 2x6 stud framing designed for your particular installation. Construct a frame in accordance with the roughing-in information packed with the whirlpool.

For All Installations:

- Position the plumbing according to the roughing-in information packed. Cap the supplies, and check for leaks.

2. Prepare the Whirlpool

- Install the drain to the whirlpool according to the drain manufacturer's instructions. Do not connect the trap at this time.
- Position a clean drop cloth or similar material in the bottom of the whirlpool. Be careful not to scratch the surface of the whirlpool.



3. Secure the Unit — Models With Support Blocks

NOTICE: Do not lift the whirlpool by the piping or pump, or use the piping or pump for structural support of the whirlpool. To avoid damage to the whirlpool, lift at the sides of the whirlpool.

NOTICE: Do not support the load weight of the whirlpool by the perimeter of the rim. The rim perimeter must be adequately supported, but must not support the load weight of the whirlpool.

- If the subfloor is not level, shim the whirlpool support blocks as necessary.

Choose the installation option that best applies to your particular installation. Follow the appropriate instructions.

Option Using a Cement or Mortar Bed

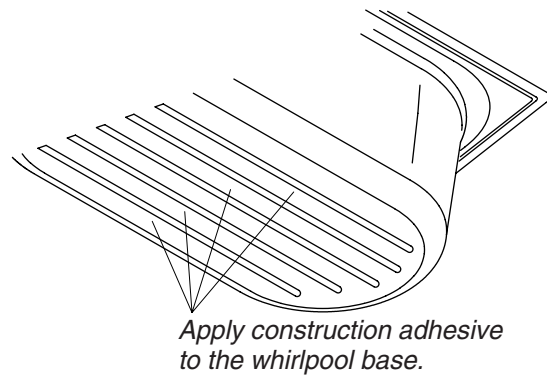
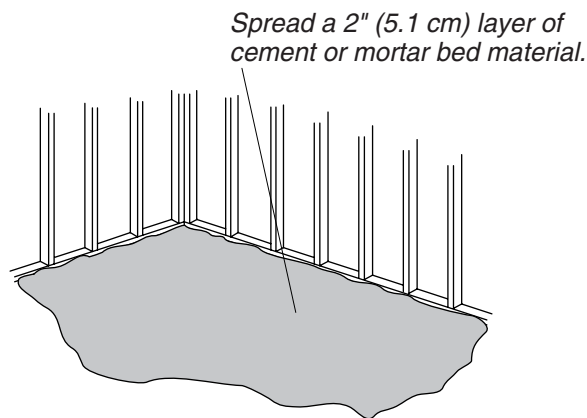
NOTE: Do not use gypsum cement or drywall compound for this application, as they will not provide an acceptable, durable bond.

NOTE: The pump support bracket (when the pump banding straps are cut) and support blocks must rest directly on the subfloor.

- Spread a 2" (5.1 cm) thick layer of cement or mortar on the subfloor where the whirlpool will be set. This will help secure, level, and support the unit. Clear all the material away from the pump support bracket and support block locations.
- Position a piece of plastic drop cloth material on top of the cement or mortar bed. With help, carefully lift the whirlpool into place, and make sure the pump support bracket and support blocks do not rest in the bed material.
- Secure the drain tailpiece to the trap. Ensure the whirlpool is level and resting on all support blocks.

Option Using Construction Adhesive

- Apply a generous amount of high-quality construction adhesive to the bottom of the support blocks. With help, carefully lift the whirlpool into position.
- Insert the drain tailpiece into the trap. Ensure the whirlpool is level and resting on all support blocks.



4. Secure the Unit — Models With Whirlpool Base

NOTICE: Do not lift the whirlpool by the piping or pump, or use the piping or pump for structural support of the whirlpool. To avoid damage to the whirlpool, lift at the sides of the whirlpool.

NOTICE: Do not support the load weight of the whirlpool by the perimeter of the rim. The rim perimeter must be adequately supported, but must not support the load weight of the whirlpool.

Choose the installation option that best applies to your particular installation. Follow the appropriate instructions.

- If the subfloor is not level, shim the whirlpool base as necessary.

Option Using a Cement or Mortar Bed

NOTE: Do not use gypsum cement or drywall compound for this application, as they will not provide an acceptable, durable bond.

- Spread a 2" (5.1 cm) thick layer of cement or mortar on the subfloor where the whirlpool will be set. This will help secure, level, and support the unit.
- Position a piece of plastic drop cloth material on top of the cement or mortar bed. With help, carefully lift the whirlpool into place.
- Insert the drain tailpiece into the trap. Make sure the whirlpool is level. Use screws or lag bolts (not provided) to secure the whirlpool base to the floor. Drill small pilot holes through the whirlpool base as needed.

Option Using Construction Adhesive

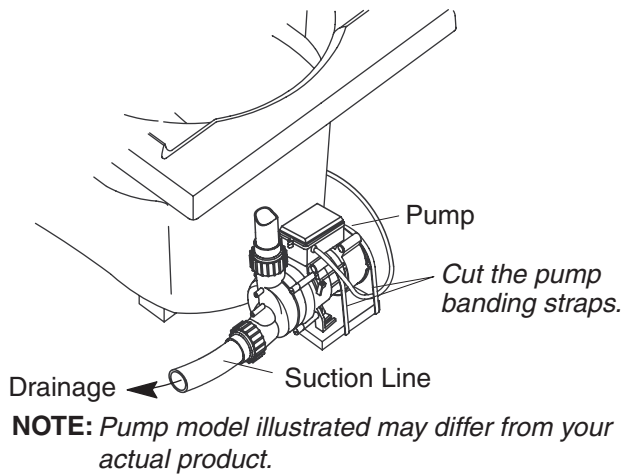
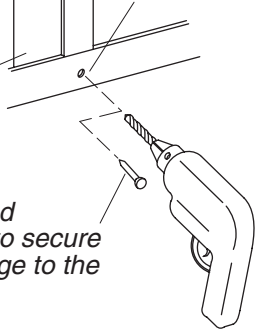
- Apply a generous amount of high-quality construction adhesive to the bottom of the whirlpool base. With help, carefully lift the whirlpool into position.
- Insert the drain tailpiece into the trap. Make sure the whirlpool is level. Use screws or lag bolts (not provided) to secure the whirlpool base to the floor. Drill small pilot holes through the whirlpool base as needed.

Nail 1/4" (6 mm) thick furring strips to the studs.

Drill a small hole through the nailing-in flange at each stud.

Stud

Use #6 large-head galvanized nails to secure the nailing-in flange to the studs.



5. Secure the Whirlpool to the Stud Framing

- Drill a small pilot hole through the nailing-in flange at each stud. Add shims between the nailing-in flange and the studs as needed to eliminate gaps.
- Nail 1/4" (6 mm) thick furring strips to the studs to shim out to the edge of the nailing-in flange.
- Use #6 large-head galvanized nails to secure the nailing-in flange to the studs.

6. Cut the Pump Banding Straps — Models With Support Blocks

IMPORTANT! This step is necessary to make your Kohler whirlpool operate more quietly.

NOTE: Do not raise the pump higher than it was before you cut the pump banding straps. If the pump is raised too high, it will not prime properly.

- Use tin snips to cut the two pump banding straps. When the banding straps are cut, the pump support bracket and pump will drop about 1/2" (1.3 cm) until they rest on the subfloor. If the pump drops more than 1/2" (1.3 cm), shim under the pump support bracket so there is a 1/2" (1.3 cm) gap between the pump and bracket to allow for proper drainage.
- To minimize whirlpool noise and vibration, be sure the pump is not in direct contact with the shipping bracket after the pump banding straps are cut.
- Secure the pump support bracket to the subfloor with screws or lag bolts (not provided).

7. Install the Plumbing



CAUTION: Risk of property damage. A watertight seal must exist on the whirlpool drain. The watertight seal will prevent property damage.

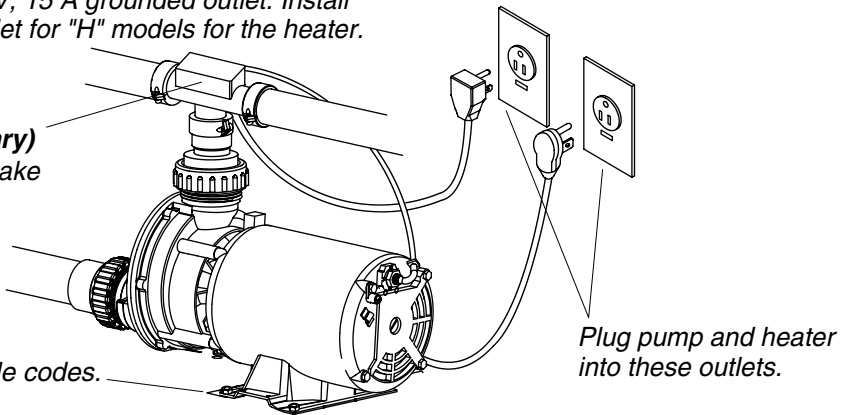
- Connect the drain to the trap according to the drain manufacturer's instructions.
- Install the faucet valving according to the faucet manufacturer's instructions. Do not install the faucet trim until instructed. Open the hot and cold water supplies, and check the supply connections for leakage.
- Run water into the whirlpool, and check the drain connections for leakage.

Install a GFCI- or RCD-protected 120 V, 15 A grounded outlet. Install a second GFCI- or RCD-protected outlet for "H" models for the heater.

Optional Heater (models may vary) either T-style (shown) or water intake (not shown).

Make sure air actuator tubing is securely attached to the pump.

Bond in accordance with applicable codes.



NOTE: Pump model illustrated may differ from your actual product.

8. Make Electrical Connections



WARNING: Risk of electric shock. Make sure the power has been disconnected before performing the following procedures.



WARNING: Risk of electric shock. Connect the pump and in-line heater (if included) to properly grounded, grounding-type receptacles protected by Ground-Fault Circuit-Interrupters (GFCI's) or Residual Current Devices (RCD's). Do not remove the grounding pins from the plug. Do not use grounding adapters.

NOTE: A label identifying the model number and electrical rating of the whirlpool is located near the whirlpool pump.

NOTICE: The pump (supplied) and heater (if supplied) are equipped with a cord and plug. All wiring for the heater has been completed at the factory. A qualified electrician must install a GFCI- or RCD-protected, 120 V, 15 A, grounded outlet. No other load should be on this circuit.

Pump Wiring

- Locate the outlet behind the whirlpool, and within 24" (61 cm) of the pump.
- Plug the pump into this outlet.

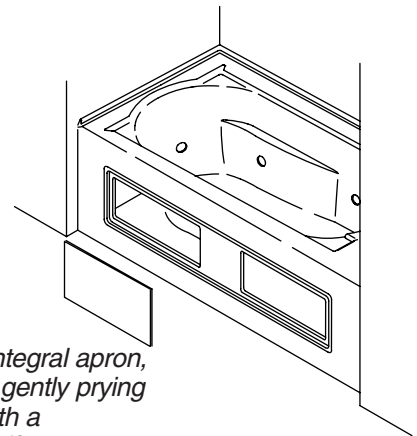
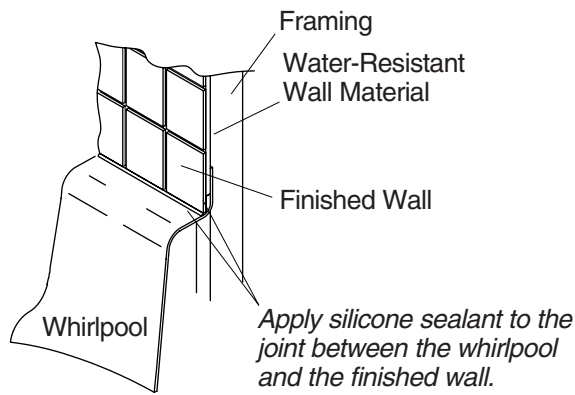
NOTE: Make sure the air actuator tubing is securely attached to the pump, and is not kinked or damaged.

Heater Wiring – "H" Models

- Locate the outlet behind the whirlpool, and within 24" (61 cm) of the heater.
- Plug the heater into this outlet.

9. Test Run the Whirlpool

- Check all electrical connections, and make sure the electrical power to the whirlpool and heater (if equipped) is on.
- Make sure all union connections to the pump and heater are securely hand tightened.
- Verify that the pump banding straps have been cut (if applicable), and that the pump is resting directly on the subfloor or whirlpool base.
- Fill the whirlpool to a level at least 2" (5.1 cm) above the top of the highest jet. Refer to "Confirm Proper Operation" section for additional information.
- Operate the whirlpool for 5 minutes, and check all whirlpool piping connections for leaks.



10. Complete the Finished Wall

NOTE: If your whirlpool has an integral apron, it is designed so the finished wall material (1-1/2" [3.8 cm] maximum) will overlap the apron columns. The finished floor material (2" [5.1 cm] maximum) should butt against the apron.

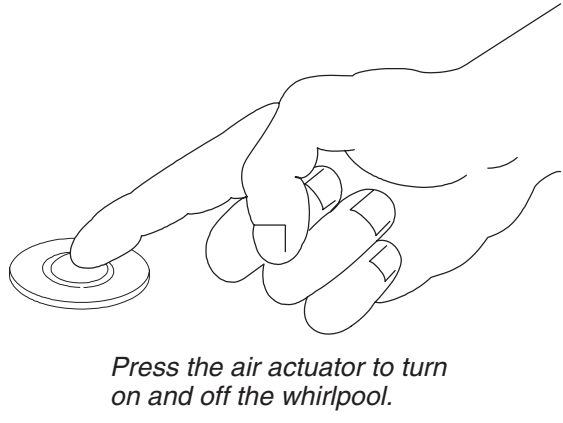
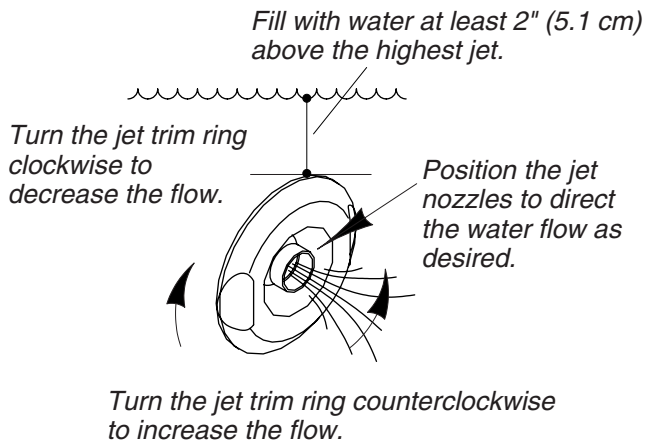
- If you have not already done so, carefully remove the protective tape from the whirlpool rim.
- If necessary allow for deck-mounted valves and spout.
- Cover the framing with water-resistant wall material. Seal the joints between the whirlpool rim edge and the water-resistant wall material with silicone sealant.
- Tape and mud the water-resistant wall material. Install the finished wall to the water-resistant wall material. Seal the joints between the whirlpool rim and the finished wall material with silicone sealant.
- Install the faucet trim according to the trim manufacturer's instructions.

11. Removing the Apron

- Your whirlpool may be equipped with an integral apron which allows you convenient access to your whirlpool controls. To remove the apron, insert the edge of a flat blade screwdriver or dull knife under the edge of the apron panel. Be careful not to scratch the visible surfaces. Gently pry up at one end. Carefully pull the apron panel off.
- To reinstall, bow the apron slightly so both ends can be inserted at the same time. Gently press in the center of the panel to secure the apron in place.

12. Clean-Up After Installation

- When cleaning up after installation, **do not use abrasive cleansers**, as they may scratch and dull the whirlpool surface. Use warm water and a liquid detergent to clean the surface.
- Remove stubborn stains, paint, or tar with turpentine or paint thinner. **Do not allow cleaners containing petroleum distillates to remain in contact with any whirlpool surfaces for long periods of time.** Remove plaster by carefully scraping with a wood edge. Do not use metal scrapers, wire brushes, or other metal tools. Use a powder-type detergent on a damp cloth to provide mild abrasive action to any residual plaster.



13. Confirm Proper Operation

Fill the Whirlpool

- Position the jet nozzles so they face down toward the basin. Turn the jet trim rings fully counterclockwise.
- **Fill the whirlpool to a water level at least 2" (5.1 cm) above the top of the highest jet.**

NOTE: The water temperature in the whirlpool should not exceed 104°F (40°C).

- To service orifices insert a pencil into the end of the jet nozzle and push the orifice out. After removing any blockage, check the orifice to make sure it is clear and press it into the jet housing.

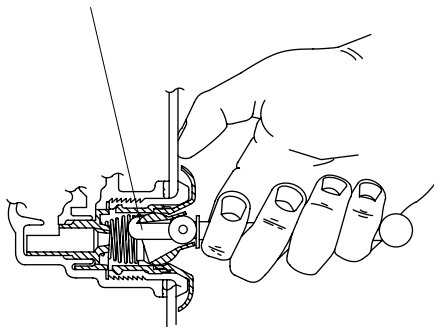
NOTE: Orifices are only installed in whirlpool jets when there are six or more jets in the whirlpool system.

Operating Sequence

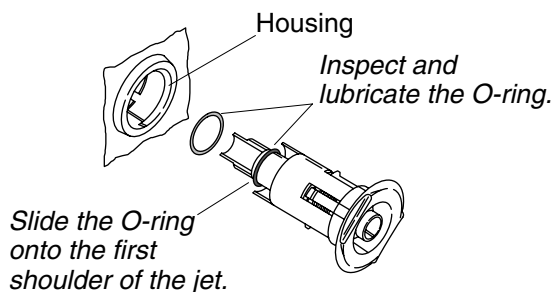
- Press the air actuator to turn on the whirlpool jets.
- Adjust each jet for optimum air/water mixture. Turn the trim ring clockwise to reduce the air flow, and counterclockwise to increase the air flow.
- If equipped with a heater, the heater will engage automatically when the pump is turned on and will disengage when the pump is turned off. The heater will not turn on if the water temperature exceeds 104°F (40°C).
- Press the air actuator a second time to turn off the whirlpool.

Remove the Jets

Insert the tool hook as shown and pull the jet out of the housing. The jet should be facing up when this is done.



Reinstall the Jets



Insert the jet into the housing, and lightly push and rotate until it snaps in position.

Troubleshooting

NOTICE: This section is for general aid only. A Kohler Authorized Service Representative or qualified electrician should correct any electrical problems. For warranty service, contact your dealer or wholesale distributor.

Remove the Jets

NOTE: A special tool is provided with the replacement jets that will allow you to remove the jets from the whirlpool. This tool is also supplied with each trim kit.

- Position the jet ball nozzle so it is pointing upward.

NOTE: The nozzle must remain pointed up or the tool will slip off.

- Insert the removal tool, hooked end up, into the opening of the jet and hook the inside top of the nozzle.
- Grasp the tool firmly and place your thumb against the whirlpool wall. Pull steadily on the tool until the jet assembly pulls free of the hole. Be careful not to lose the O-ring.

Reinstall the Jets

NOTE: To allow easy rotation and proper operation of the jet, the O-ring must be: (1) correctly positioned, (2) lubricated, and (3) in good condition.

- Install the O-ring onto the **first shoulder** of the jet.
- Using the silicone lube packet (provided), lubricate the O-ring to prevent noisy operation of the jet.
- Carefully insert the jet into the housing, then lightly push and rotate the jet until it snaps into position. **Do not force the jet.**
- Verify the jet is installed correctly. The jet should turn smoothly both clockwise and counterclockwise. Remove and reinstall, if necessary.

Troubleshooting (cont.)

Symptoms	Probable Causes	Recommended Action
1. Whirlpool does not start or stop.	<p>A. No power to motor.</p> <p>B. Air hose is loose or disconnected.</p> <p>C. Air hose is pinched or kinked.</p> <p>D. Part(s) of the push button assembly is/are damaged.</p> <p>E. Push button has grease in the bleed area.</p> <p>F. Air hose is damaged.</p> <p>G. Motor/pump does not work.</p>	<p>A. Check that the pump and heater are plugged in and that the GFCI or RCD is switched to the correct position. Plug in or reset the GFCI/RCD as needed.</p> <p>B. Check that the hose is connected at both the receiver/pump end and to the air switch. Reconnect if needed.</p> <p>C. Adjust hose to clear the pinched/kinked area. If the tubing is pinched/kinked and cannot be readjusted, or no noticeable pinch/kink is apparent, poke a small hole in the tubing with a tack and try the system again.</p> <p>D. Replace the push button assembly.</p> <p>E. Disassemble the push button assembly and wipe away any excess grease. Reassemble the button and retry the system.</p> <p>F. Replace the air hose.</p> <p>G. Rebuild or replace motor/pump.</p>
2. Motor starts, not all jets are functioning.	<p>A. Jet is closed.</p> <p>B. Jet not installed correctly.</p> <p>C. Jets are blocked.</p>	<p>A. Rotate jet trim ring counterclockwise to open.</p> <p>B. Reinstall jet; check for O-ring damage.</p> <p>C. Remove blockage.</p>
3. Whirlpool stops automatically before 18 minutes.	<p>A. The GFCI or RCD trips.</p> <p>B. Suction blocked.</p> <p>C. Jets are blocked.</p> <p>D. Motor overheated and protection device activated.</p>	<p>A. Identify source of fault, and correct.</p> <p>B. Remove obstruction.</p> <p>C. Remove blockage.</p> <p>D. Check for blockage at motor vents. Remove blockage and allow motor to cool. Check for suction blockage. Remove blockage and allow motor to cool. Check for jet blockage. Remove blockage and allow motor to cool.</p>
4. Pump does not prime. (Models with support blocks only.)	<p>A. Pump shimmed too high.</p>	<p>A. Lower pump support bracket.</p>
5. Noisy operation.	<p>A. Pump banding straps have not been cut. (Models with support blocks only.)</p> <p>B. Jet O-ring dislodged.</p>	<p>A. Cut pump banding straps with tin snips.</p> <p>B. Remove jet, replace and lubricate O-ring, and reinstall jet.</p>
6. Heater does not operate. ("H" models only)	<p>A. No power to heater.</p> <p>B. Water temperature exceeds 104°F (40°C).</p> <p>C. Heater does not work.</p>	<p>A. Reset the GFCI or RCD.</p> <p>B. Allow water to cool and heater will reengage.</p> <p>C. Replace heater.</p>

Guide d'installation

Baignoire à hydromassage

Informations importantes



AVERTISSEMENT : Lors de l'utilisation des produits électriques, des précautions de base doivent toujours être observées, incluant ce qui suit :

Les matériaux de construction et le câblage devraient être acheminés loin du corps de la pompe et des autres composants qui dégagent de la chaleur de l'unité.

Installer de façon à permettre l'accès pour l'entretien.

Une mise à la terre est requise. L'unité doit être installée par un représentant qualifié, et mise à la terre.



AVERTISSEMENT : Risque d'électrocution. Un électricien qualifié devrait effectuer toutes les connexions électriques.



AVERTISSEMENT : Risque d'électrocution. Débrancher l'alimentation avant de procéder à l'entretien.



AVERTISSEMENT : Risque de blessures ou d'endommagement du matériel. Veuillez s'il vous plaît lire avec attention toutes les instructions avant de commencer l'installation, y compris les conditions suivantes:

AVIS : Respecter tous les codes de plomberie et électriques locaux.

Information sur le produit

Branchements électriques requis

L'installation électrique doit avoir un Disjoncteur de Fuite de Terre (GFCI) ou un appareil de courant résiduel (RCD) de classe A. Le GFCI ou le RCD protège contre une électrocution par la mise à la terre. Utiliser une alimentation de 120 V, 15 A, 60 Hz dédiée à la baignoire à hydromassage.

Les modèles « H » nécessitent une alimentation dédiée de 120 V, 15 A, 60 Hz pour le chauffe-eau.

REMARQUE : Si le câble d'alimentation de la pompe est endommagé, il doit être remplacé par le fabricant, son représentant ou autre personnel similaire qualifié pour éviter tout danger. Le cordon d'alimentation du chauffe-eau ne peut pas être remplacé. Si le cordon est endommagé, le chauffe-eau devrait être remplacé.

Notices du produit



AVERTISSEMENT : Des modifications non approuvées pourraient provoquer un fonctionnement dangereux ou un mauvais fonctionnement de la baignoire à hydromassage. Ne pas déplacer la pompe d'hydromassage ou effectuer d'autres modifications au système d'hydromassage car cela pourrait affecter les performances et la sécurité de la baignoire à hydromassage. Kohler Co. décline toute responsabilité sous ses garanties quant à toutes blessures ou dommages causés par des modifications non autorisées.



AVERTISSEMENT : Risque d'électrocution. Débrancher l'alimentation avant de procéder à l'entretien.



AVERTISSEMENT : Risque d'électrocution. Un électricien qualifié devrait effectuer toutes les connexions électriques.

Information sur le produit (cont.)



AVERTISSEMENT : Risque de blessures ou d'endommagement du matériel. Veuillez lire toutes les instructions avant de commencer l'installation.

AVIS : Respecter tous les codes de plomberie et électriques locaux.

Pièces assemblées en usine

Les composants installés en usine comprennent la pompe avec câble d'alimentation électrique et l'interrupteur d'air. Aucune installation n'est nécessaire.

Les modèles « H » sont aussi fournis avec un chauffe-eau assemblé en usine.

La pompe et la tuyauterie de la baignoire à hydromassage ont été assemblées en usine.

Connexions et accès pour l'entretien

S'assurer d'avoir suffisamment d'accès pour les connexions finales avant l'installation.

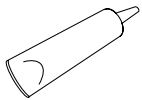
Information sur le produit (cont.)

AVIS : Fournir un panneau d'accès libre à la pompe. Il faut prévoir un accès pour l'entretien de la pompe et des contrôles. L'accès doit être situé tout près de la pompe. Étudier le guide de raccordement accompagnant la baignoire à hydromassage.

Sommaire

Informations importantes	1
Information sur le produit	1
Outils et matériels	3
Avant de commencer	4
Préparer le site	5
Préparer la baignoire à hydromassage	5
Sécuriser les modèles d'unités avec blocs de support	6
Sécuriser les modèles d'unité avec base de baignoire à hydromassage	7
Sécuriser la baignoire à hydromassage au cadrage du montant	8
Couper les sangles de la pompe—Modèles avec blocs de renfort	8
Installer la plomberie	8
Faire les connexions électriques	9
Tester la baignoire à hydromassage	9
Compléter le mur fini	11
Retirer le bandeau	11
Nettoyage après installation	11
Confirmer le bon fonctionnement	12
Dépannage	13

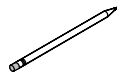
Outils et matériels



Mastic à la silicone



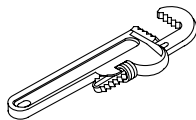
Mètre ruban



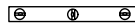
Crayon



Lunettes de protection



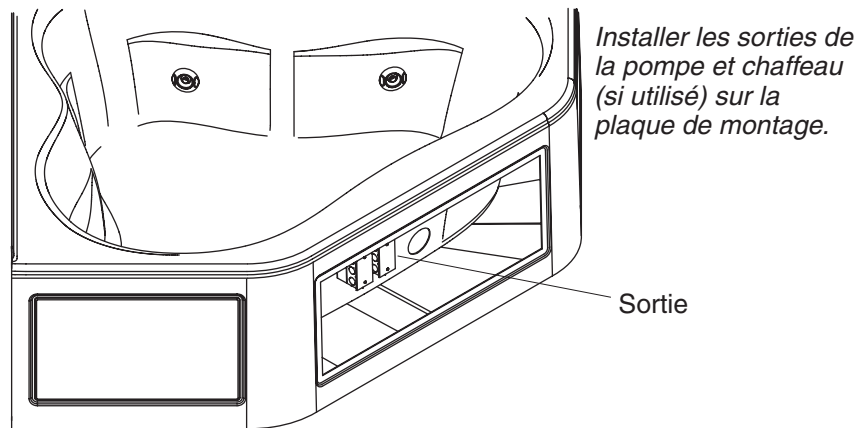
Clé à tuyau



Niveau à bulle

Plus:

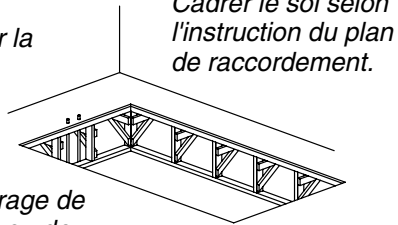
- Outils conventionnels de menuiserie et matériaux
- Toile de protection
- Adhésif de construction (optionnel)
- Ciment ou mortier (optionnel)
- 2x4 ou 2x6
- Vis ou tire-fonds



Avant de commencer

- **Pour les baignoires à hydromassage sans bandeau :** Une installation encastrée est nécessaire. **Pour des baignoires à hydromassage avec bandeau intégral ou optionnel:** Une installation en alcôve ou en coin est recommandée, selon le modèle choisi.
- **Pour des unités en angle avec bandeau intégré:** Laisser un électricien qualifié installer les prises pour la pompe et le chauffe-eau (si utilisé) à l'emplacement spécifié sur la baignoire à hydromassage. Se référer à l'illustration ci-dessus.
- Avant de commencer l'installation, examiner la baignoire à hydromassage pour y déceler tout dommage.
- S'assurer que l'espace de montage et de raccordement du robinet soit adéquat pour l'installation.
- Kohler se réserve le droit d'apporter des modifications à la conception de ses produits sans préavis comme cela est indiqué dans le catalogue des prix.

Positionner la plomberie.

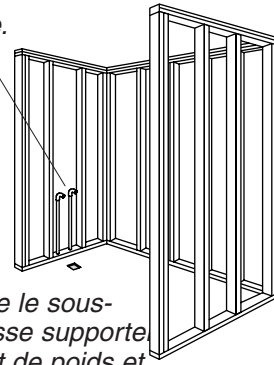


Cadrer le sol selon l'instruction du plan de raccordement.

Construire un cadrage de montants de 2 x 4 ou de 2 x 6 suivant l'instruction du plan de raccordement.

Vérifier que le sous-plancher offre un support adquat et qu'il soit plat et nivelé.

Positionner la plomberie.



Construire le cadrage de montants de 2x4 ou de 2x6 suivant l'information du plan de raccordement.

S'assurer que le sous-plancher puisse supporter suffisamment de poids et qu'il soit de niveau.

1. Préparer le site

AVIS : Se référer au guide de raccordement emballé avec la baignoire à hydromassage pour la charge de support de sol minimum requis lb/pied carré (kg/mètre carré).

- S'assurer que le sol constitue un support adéquat pour la baignoire à hydromassage et que le plancher soit plat et nivelé.

Pour des baignoires à hydromassage sans bandeau:

AVIS : La baignoire à hydromassage devrait être installée dans un espace encastré.

- Construire un cadre de support de 2x4 ou de 2x6 pour votre installation.

AVIS : La baignoire à hydromassage doit être supportée par ses pieds ou la base. Ne pas supporter le poids de charge de la baignoire à hydromassage par le périmètre du rebord.

- **Pour une installation surélevée :** Encadrer le plancher ou construire un cadre conforme aux informations du plan de raccordement qui accompagne la baignoire à hydromassage.
- Disposer et découper soigneusement le matériau du comptoir brut. Employer le gabarit s'il est fourni, ou se référer au guide de raccordement pour l'information de découpe.

Pour des baignoires à hydromassage avec bandeau intégral ou optionnel:

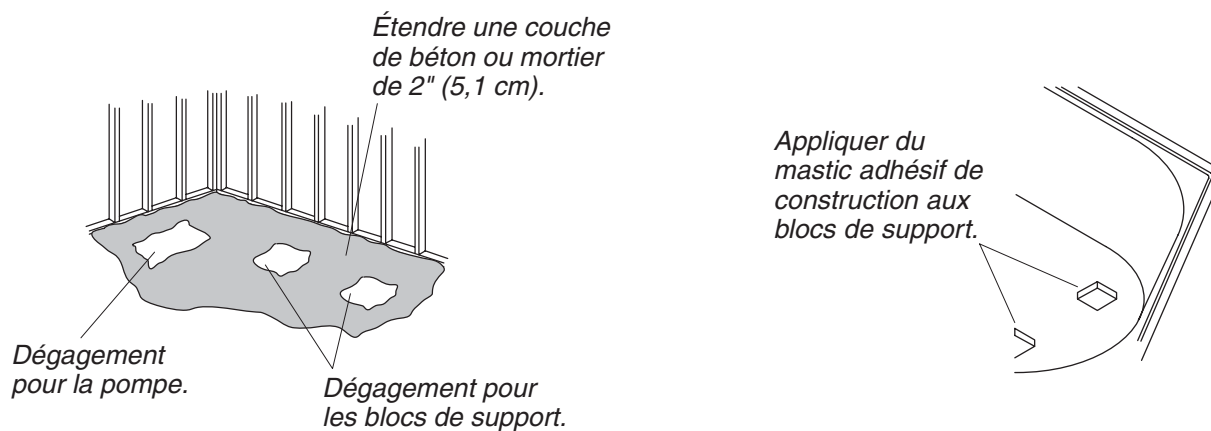
- Selon le modèle choisi, la baignoire à hydromassage devrait être installée dans une alcôve ou en angle. Construire un cadre avec des montants de 2x4 ou de 2x6 pour votre installation particulière. Construire un cadre selon l'information du plan de raccordement qui accompagnent la baignoire à hydromassage.

Pour toutes les installations:

- Déterminer l'emplacement de la plomberie selon le plan de raccordement fourni. Boucher les alimentations et vérifier s'il y a des fuites.

2. Préparer la baignoire à hydromassage

- Installer le drain sur la baignoire à hydromassage selon les instructions du fabricant. Ne pas connecter le siphon à ce moment.
- Placer un chiffon propre ou matière similaire à la base de la baignoire à hydromassage. S'assurer de ne pas rayer la surface de la baignoire à hydromassage.



3. Sécuriser les modèles d'unités avec blocs de support

AVIS : Ne pas soulever la baignoire à hydromassage par la tuyauterie ou par la pompe ou utiliser la tuyauterie ou la pompe pour supporter la baignoire à hydromassage. Afin d'éviter d'endommager la baignoire à hydromassage, soulever sur les côtés de la baignoire.

AVIS : Ne pas supporter le poids de charge de la baignoire à hydromassage par le périmètre du rebord. Le périmètre du rebord doit être soutenu de manière adéquate, mais il ne doit pas supporter le poids de charge de la baignoire à hydromassage.

- Si le sous-plancher n'est pas à niveau, placer des blocs de renfort sous la baignoire à hydromassage, si nécessaire.

Choisir l'option d'installation qui s'applique le mieux à votre installation. Suivre les instructions correspondantes.

Option pour utilisation de lit de ciment ou de mortier

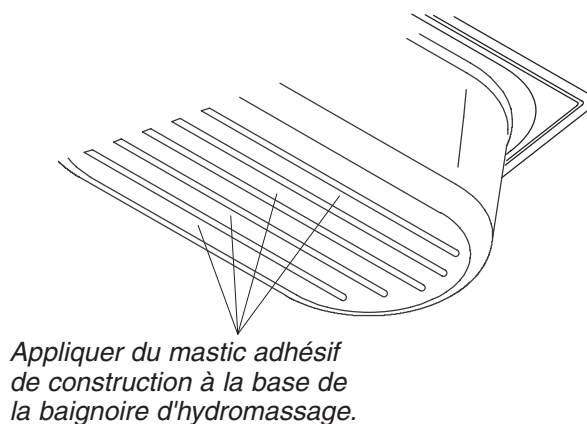
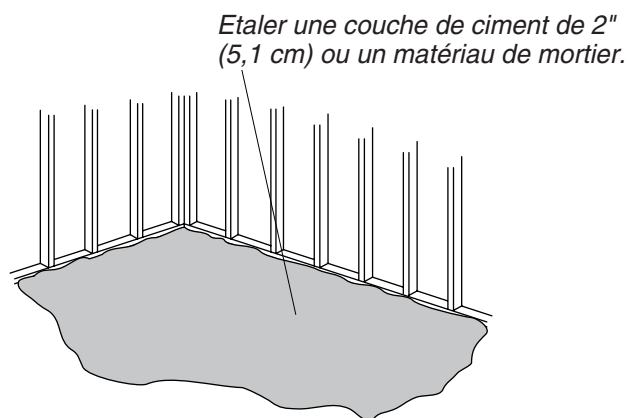
REMARQUE : Ne pas utiliser de plâtre dur ou un mélange pour cloison sèche pour cette installation, car ces produits ne fourniront pas un scellement acceptable et durable.

REMARQUE : Le support de pompe (une fois les sangles de retenue coupées) et les blocs de support doivent reposer directement sur le sol.

- Étendre une couche de ciment ou mortier de 2" (5,1 cm) d'épaisseur sur le sous-plancher à l'endroit d'installation de la baignoire. Ceci aidera à sécuriser, niveler et supporter l'unité. Écarter tout matériau de l'emplacement du montant de la pompe et des blocs de support.
- Positionner une bâche en plastique sur le lit de ciment ou de mortier. Avec de l'assistance, soulever et mettre soigneusement la baignoire à hydromassage en place et s'assurer que le support de pompe et les blocs de renfort ne reposent pas sur le matériau de l'embase.
- Fixer l'about du drain sur le siphon. S'assurer que la baignoire à hydromassage soit nivelée et qu'elle s'appuie sur tous les blocs de renfort.

Option pour l'utilisation de mastic adhésif de construction

- Appliquer un adhésif de construction de haute qualité à la base des blocs de renfort. Avec de l'assistance, soulever et mettre la baignoire à hydromassage en place avec précaution.
- Insérer la pièce de raccordement du drain dans le siphon. S'assurer que la baignoire à hydromassage soit nivelée et qu'elle s'appuie sur tous les blocs de renfort.



4. Sécuriser les modèles d'unité avec base de baignoire à hydromassage

AVIS : Ne pas soulever la baignoire à hydromassage par la tuyauterie ou par la pompe ou utiliser la tuyauterie ou la pompe pour supporter la baignoire à hydromassage. Afin d'éviter d'endommager la baignoire à hydromassage, soulever sur les côtés de la baignoire.

AVIS : Ne pas supporter le poids de charge de la baignoire à hydromassage par le périmètre du rebord. Le périmètre du rebord doit être soutenu de manière adéquate, mais il ne doit pas supporter le poids de charge de la baignoire à hydromassage.

Choisir l'option d'installation qui s'applique le mieux à votre installation. Suivre les instructions correspondantes.

- Si le sol n'est pas nivelé, placer des cales sous la baignoire si nécessaire.

Option pour utilisation de lit de ciment ou de mortier

REMARQUE : Ne pas utiliser de plâtre dur ou un mélange pour cloison sèche pour cette installation, car ces produits ne fourniront pas un scellement acceptable et durable.

- Étendre une couche de ciment ou mortier de 2" (5,1 cm) d'épaisseur sur le sous-plancher à l'endroit d'installation de la baignoire. Ceci aidera à sécuriser, niveler et supporter l'unité.
- Positionner une bâche en plastique sur le lit de ciment ou de mortier. Avec de l'aide, positionner la baignoire à hydromassage.
- Insérer la pièce de raccordement du drain dans le siphon. Vérifier que la baignoire soit nivelée. Utiliser des vis ou des tire-fonds (non fournis) pour fixer la base de la baignoire au plancher. Percer des petits trous-pilotes dans la base de la baignoire à hydromassage selon le besoin.

Option pour l'utilisation de mastic adhésif de construction

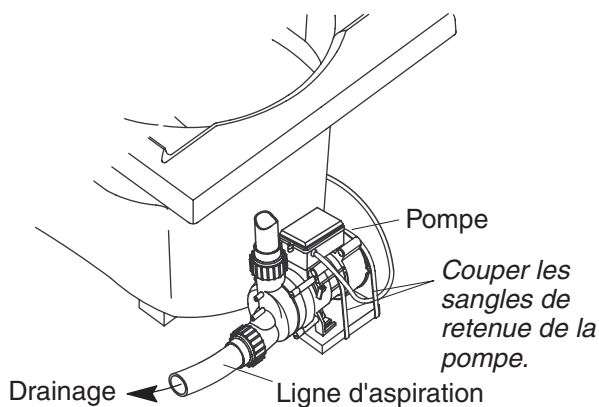
- Appliquer du mastic adhésif de construction de haute qualité à la base de la baignoire à hydromassage. Avec de l'assistance, soulever et mettre la baignoire à hydromassage en place avec précaution.
- Insérer la pièce de raccordement du drain dans le siphon. Vérifier que la baignoire soit nivelée. Utiliser des vis ou des tire-fonds (non fournis) pour fixer la base de la baignoire au plancher. Percer des petits trous-pilotes dans la base de la baignoire à hydromassage selon le besoin.

Clouer des planchettes de 1/4" (6 mm) d'épaisseur sur les montants.

Montant

Utiliser des clous galvanisés # 6 à large tête pour fixer la collerette de cloutage aux montants.

Percer un trou pilote sur la collerette à chaque montant.



REMARQUE: Le modèle de pompe illustré peut varier du produit actuel.

5. Sécuriser la baignoire à hydromassage au cadrage du montant

- Percer un petit trou-pilote dans la bride cloutage de chaque montant. Placer des cales entre la bride de cloutage et les montants, au besoin, pour éliminer les espaces.
- Clouer des planchettes de 1/4" (6 mm) sur les montants de façon à se caler contre le rebord de la bride.
- Utiliser des clous galvanisés #6 à tête large pour sécuriser la bride aux montants.

6. Couper les sangles de la pompe—Modèles avec blocs de renfort

IMPORTANT ! Cette étape est nécessaire pour que votre baignoire à hydromassage Kohler fonctionne plus silencieusement.

REMARQUE : Ne pas soulever la pompe à un niveau supérieur à celui d'avant avoir coupé les sangles de retenue. Si la pompe est trop élevée, elle ne s'amorcera pas correctement.

- Couper les sangles de retenue de la pompe avec une cisaille de ferblantier. Lorsque les sangles de retenue sont sectionnées, le support de pompe et la pompe s'abaisseront d'environ 1/2" (1,3 cm) jusqu'à reposer sur le sol. Si la pompe s'abaisse de plus de 1/2" (1,3 cm), placer des cales au-dessous du support de pompe, pour qu'il y ait un dégagement de 1/2" (1,3 cm) entre la pompe et le support afin de permettre la bonne évacuation de l'eau.
- Pour réduire les bruits et vibrations émanant de la baignoire à hydromassage, s'assurer que la pompe ne soit pas en contact direct des supports d'expédition après que les sangles aient été sectionnées.
- Sécuriser le support de baignoire au plancher avec des vis ou des tire-fonds (non inclus).

7. Installer la plomberie



ATTENTION : Risque d'endommagement du matériel. Un joint d'étanchéité doit être présent sur le drain de la baignoire à hydromassage. Le joint étanche doit prévenir tout dommage.

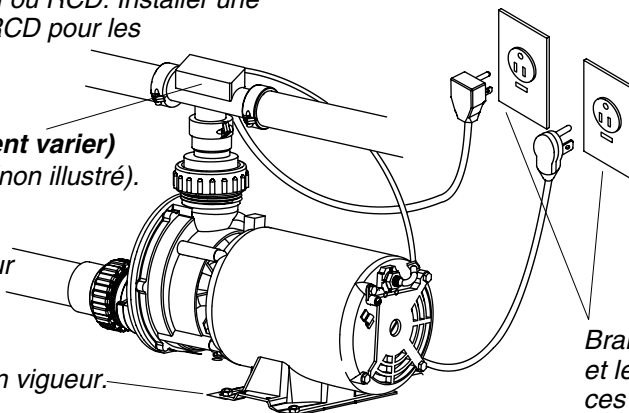
- Connecter le drain au siphon selon les instructions du fabricant.
- Installer les valves du robinet conformément aux instructions du fabricant. Ne pas installer la garniture du robinet avant l'instruction de le faire. Ouvrir les alimentations d'eau chaude et froide et vérifier qu'il n'y ait pas de fuites.
- Laisser couler l'eau dans la baignoire à hydromassage et vérifier s'il y a des fuites dans les connexions du drain.

Installer une prise de terre 120V, 15A GFCI ou RCD. Installer une seconde prise de terre protégée GFCI ou RCD pour les modèles de chauffe-eau "H".

Chauffe-eau optionnel (les modèles peuvent varier) de style en T (illustré) ou admission d'eau (non illustré).

S'assurer que la tuyauterie de l'interrupteur d'air soit bien attachée à la pompe.

Sceller en fonction des codes en vigueur.



Brancher la pompe et le chauffe-eau sur ces prises.

REMARQUE: Le modèle de pompe illustré peut varier du produit actuel.

8. Faire les connexions électriques



AVERTISSEMENT : Risque d'électrocution. S'assurer que l'alimentation ait été débranchée avant d'effectuer les procédures suivantes.



AVERTISSEMENT : Risque d'électrocution. Connecter la pompe et le chauffe-eau en ligne (si inclus) à des prises de terre correctement mises à la terre et protégées par des disjoncteurs différentiels (GFCI) ou des appareils de courant résiduel (RCD). Ne pas retirer les broches de mise à la terre de la fiche. Ne pas utiliser d'adaptateurs de mise à la terre.

REMARQUE : Une étiquette qui identifie le numéro de modèle et les caractéristiques électriques de la baignoire à hydromassage est située à proximité de la pompe de la baignoire à hydromassage.

AVIS : La pompe (fournie) et le chauffe-eau (si fourni) sont munis d'un cordon et d'une fiche. Tous les câblages du dispositif de chauffage ont été effectués en usine. Un électricien qualifié doit installer une prise mise à la terre de 120 V et 15 A protégée par un GFCI ou un RCD. Aucune autre charge ne doit être montée sur ce circuit.

Câblage de pompe

- Localiser la prise de courant derrière la baignoire à hydromassage, dans les 24" (61 cm) de la pompe.
- Brancher le cordon d'alimentation de la pompe à cette prise.

REMARQUE : S'assurer d'attacher fermement l'interrupteur d'air à la pompe, et qu'il ne soit ni pincé ou endommagé.

Câblage de chauffe-eau – Modèles « H » »

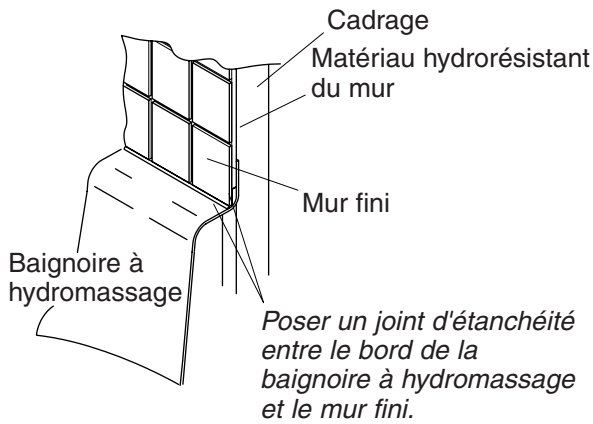
- Localiser la prise de courant derrière la baignoire à hydromassage, à [24" (61 cm)] de distance du chauffe-eau.
- Brancher le chauffe-eau sur cette prise.

9. Tester la baignoire à hydromassage

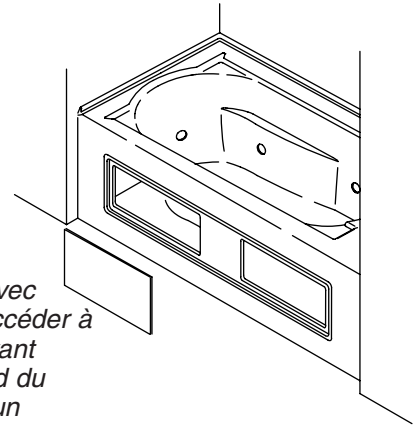
- Contrôler toutes les connexions électriques et s'assurer que la baignoire à hydromassage et que le chauffe-eau soient alimentés.
- S'assurer que tous les raccords à la pompe et au chauffe-eau soient fermement serrés à la main.
- S'assurer également que les sangles de retenue des pompes ont été sectionnées (si applicable) et que la pompe repose directement sur le sol ou sur la base de baignoire.

Tester la baignoire à hydromassage (cont.)

- Remplir la baignoire à hydromassage à au moins 2" (5,1 cm) au-dessus du jet le plus élevé. Se référer à la section « Confirmer le bon fonctionnement » pour obtenir de l'information supplémentaire.
- Faire fonctionner la baignoire à hydromassage pendant 5 minutes et, vérifier que tous les raccords des tuyaux de la baignoire à hydromassage n'aient pas de fuites.



Pour les modèles avec bandeau intégré, accéder à la pompe en soulevant délicatement le bord du bandeau à l'aide d'un tournevis plat pour le retirer.



10. Compléter le mur fini

REMARQUE : Si la baignoire à hydromassage a un bandeau intégré, elle est conçue de manière à ce que le matériau du mur fini 1-1/2" (3,8 cm) max. dépasse les colonnes du bandeau. Le matériau du sol fini 2" (5,1 cm) max. devrait se terminer contre le bandeau.

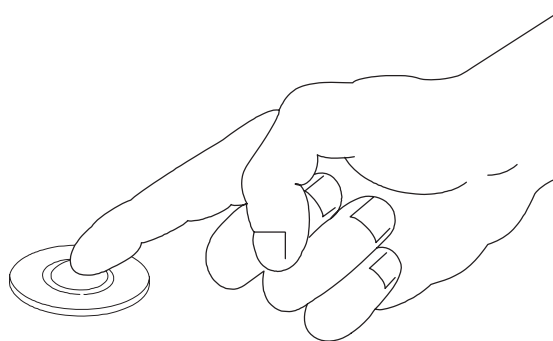
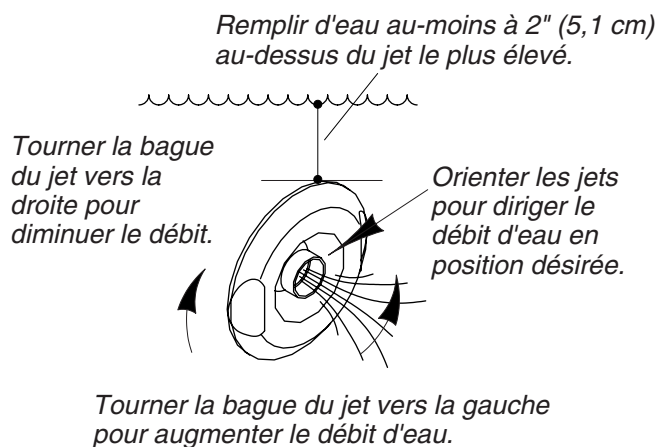
- Retirer soigneusement la pellicule de protection recouvrant la surface de la baignoire à hydromassage si cela n'a pas déjà été fait.
- Si nécessaire prévoir de l'espace pour la pose des valves et du bec sur le comptoir.
- Recouvrir le cadrage avec du matériau hydrorésistant. Sceller les joints entre le rebord de la baignoire à hydromassage et le matériau hydrorésistant du mur à l'aide de mastic à la silicone.
- Poser et appliquer le matériau hydrorésistant du mur. Installer le mur fini sur le matériau hydrorésistant. Sceller les joints d'étanchéité entre le bord de la baignoire à hydromassage et le matériau du mur fini avec du mastic à la silicone.
- Installer la garniture du robinet conformément aux instructions du fabricant.

11. Retirer le bandeau

- Cette baignoire à hydromassage peut être dotée d'un bandeau intégré permettant l'accès aux commandes d'hydromassage. Pour retirer le bandeau, insérer un tournevis à tête plate ou un couteau sous le rebord du panneau du bandeau. Travailler soigneusement pour ne pas égratigner les surfaces visibles. Soulever doucement une extrémité. Retirer soigneusement le panneau du bandeau.
- Pour réinstaller, tordre légèrement le bandeau, de façon à pouvoir insérer les deux extrémités au même moment. Appuyer doucement sur le centre du panneau pour mettre en place le bandeau.

12. Nettoyage après installation

- Lors du nettoyage après installation, **ne pas utiliser de nettoyant abrasif**, car il pourrait rayer et abîmer la surface de la baignoire à hydromassage. Utiliser de l'eau tiède et un détergent liquide pour nettoyer la surface.
- Retirer les taches résistantes, peinture, ou goudron avec de l'essence de térébenthine ou un diluant pour peinture. **Ne pas laisser de nettoyants à base de distillats de pétrole rester en contact avec les surfaces de la baignoire à hydromassage pendant une longue période.** Retirer les résidus de plâtre en raclant au moyen d'un bord en bois. Ne pas utiliser de grattoirs en métal, une brosse en fer ou d'autres outils en métal. Utiliser des nettoyants en poudre sur un chiffon humide pour une action abrasive douce sur les résidus de plâtre.



Appuyer sur l'interrupteur d'air pour activer
ou arrêter la baignoire à hydromassage.

13. Confirmer le bon fonctionnement

Remplir la baignoire à hydromassage

- Orienter les buses des jets vers le fond du bassin. Tourner les bagues de garniture du jet complètement vers la gauche.
- **Remplir la baignoire à hydromassage au moins à 2" (5,1 cm) au-dessus du jet le plus élevé.**

REMARQUE : La température de la baignoire à hydromassage ne devrait pas excéder 104°F (40° C).

- Pour l'entretien des orifices, introduire un crayon dans l'extrémité de la buse du jet et pousser l'orifice vers l'extérieur. Après avoir retiré tout blocage, inspecter l'orifice pour s'assurer qu'il soit dégagé et le presser dans le logement du jet.

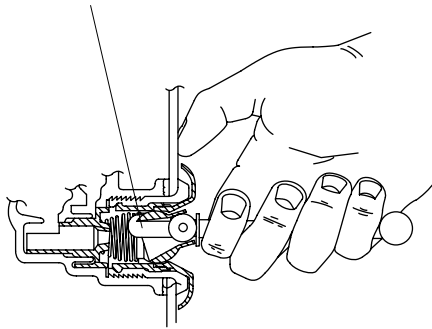
REMARQUE : Ces orifices ne sont installés dans les jets de baignoire à hydromassage que lorsque le système contient six jets ou plus.

Séquence d'opération

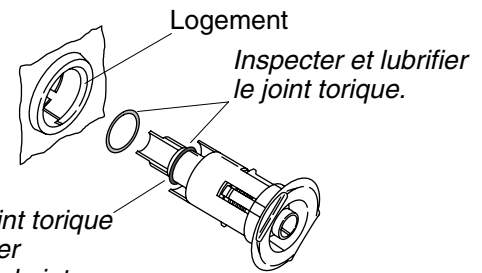
- Appuyer sur l'interrupteur d'air pour activer les jets.
- Ajuster chaque jet pour un mélange optimal d'eau et d'air. Tourner l'anneau à droite pour réduire le débit d'air, ou à gauche pour l'augmenter.
- Si équipé d'un chauffe-eau, celui-ci s'activera automatiquement avec la mise en marche de la pompe, et s'arrêtera quand la pompe est éteinte. Le chauffe-eau ne s'activera pas si la température de l'eau excède 104°F (40°C).
- Appuyer sur l'interrupteur d'air une seconde fois pour arrêter la baignoire à hydromassage.

Retirer les jets

Insérer l'outil en crochet comme indiqué, et retirer le jet hors de son logement. Le gicleur devrait être vers le haut quand cela sera terminé.



Réinstaller les jets



Glisser le joint torique sur le premier épaulement du jet.

Insérer le jet dans son logement, tourner et pousser doucement jusqu'à ce qu'il s'enclenche en position.

Dépannage

AVIS : Cette section est seulement destinée à une aide générale. Seul un agent agréé de Kohler ou un électricien qualifié devrait corriger tous les problèmes électriques. Pour une réparation sous garantie, contacter le vendeur ou distributeur.

Retirer les jets

REMARQUE : Un outil spécial est fourni avec les jets de remplacement pour permettre de retirer les anciens jets de la baignoire à hydromassage. Cet outil est aussi fourni avec chaque kit de garniture.

- Positionner le jet de façon à ce qu'il pointe vers le haut.

REMARQUE : Le gicleur doit rester pointé vers le haut pour que l'outil ne glisse pas.

- Insérer l'outil d'extraction, avec son côté crochet vers le haut dans l'ouverture du jet et accrocher la partie supérieure du gicleur.
- Tenir l'outil fermement et placer le pouce contre le mur de la baignoire à hydromassage. Tirer avec force sur l'outil jusqu'à ce que l'ensemble du jet sorte du trou. Faire attention à ne pas perdre le joint torique.

Réinstaller les jets

REMARQUE : Pour permettre une rotation aisée et un fonctionnement correct des jets, le joint torique doit être : (1) correctement placé, (2) lubrifié, et (3) en bonne condition.

- Installer le joint torique sur le **premier épaulement** du jet.
- Lubrifier le joint torique avec le paquet de lubrifiant silicone (fourni), afin d'éviter le fonctionnement bruyant du jet.
- Insérer délicatement le jet dans le logement, puis pousser et pivoter légèrement jusqu'à ce qu'il s'enclenche en place. **Ne pas forcer le jet.**
- L'appareil n'est pas installé correctement. Le jet devrait pivoter aisément dans les deux sens. Retirer et réinstaller si nécessaire.

Dépannage (cont.)

Symptômes	Causes probables	Action recommandée
1. La baignoire à hydromassage ne démarre/s'arrête pas.	<p>A. Pas de courant au moteur.</p> <p>B. Le tuyau d'air est desserré ou déconnecté.</p> <p>C. Le tuyau d'air est pincé ou plié.</p> <p>D. Partie(s) du bouton poussoir est/sont endommagé(e)s.</p> <p>E. Le bouton poussoir a de la graisse dans la zone d'écoulement.</p> <p>F. Le tuyau d'air est endommagé.</p> <p>G. Le moteur/pompe ne fonctionne pas.</p>	<p>A. Vérifier que la pompe et que le chauffe-eau soient branchés et que les disjoncteurs GFCI ou RCD soient en position correcte. Brancher ou réinitialiser le GFCI/RCD selon le besoin.</p> <p>B. Vérifier que le tuyau est connecté aux deux extrémités receveur/pompe et à l'interrupteur d'air. Reconnecter si nécessaire.</p> <p>C. Ajuster le tuyau pour dégager l'endroit pincé/plié. Si la tuyauterie est pincée/pliée et ne peut pas être réajustée, ou qu'aucune pliure n'est apparente, faire un petit trou dans le tube avec un petit clou et essayer le système à nouveau.</p> <p>D. Remplacer l'ensemble du bouton poussoir.</p> <p>E. Désassembler le bouton poussoir et essuyer tout excès de graisse. Rassembler le bouton et essayer le système à nouveau.</p> <p>F. Remplacer le tuyau d'air.</p> <p>G. Reconstruire ou remplacer le moteur/pompe.</p>
2. Le moteur démarre, tous les jets ne fonctionnent pas.	<p>A. Le jet est fermé.</p> <p>B. Le jet n'est pas installé correctement.</p> <p>C. Les jets sont bloqués.</p>	<p>A. Tourner la bague du jet vers la gauche pour l'ouvrir.</p> <p>B. Réinstaller le jet; s'assurer que le joint torique ne soit pas endommagé.</p> <p>C. Retirer le blocage.</p>
3. La baignoire à hydromassage s'arrête automatiquement avant 18 minutes.	<p>A. Le GFCI ou RCD se déclenchent.</p> <p>B. L'aspiration est bloquée.</p> <p>C. Les jets sont bloqués.</p> <p>D. Moteur surchauffé et système de protection activé.</p>	<p>A. Identifier la source du problème, puis y remédier.</p> <p>B. Retirer l'obstruction.</p> <p>C. Retirer le blocage.</p> <p>D. Vérifier s'il y a un blocage aux prises d'air du moteur. Retirer l'obstruction et laisser le moteur refroidir. Vérifier si la conduite d'aspiration n'est pas bouchée. Retirer l'obstruction et laisser le moteur refroidir. Vérifier si les jets sont bouchés. Retirer l'obstruction et laisser le moteur refroidir.</p>
4. La pompe ne s'amorce pas. (Modèles avec des blocs de support uniquement.)	<p>A. La pompe est en position trop élevée.</p>	<p>A. Abaisser le support de pompe.</p>

Dépannage (cont.)

Symptômes	Causes probables	Action recommandée
5. Fonctionnement bruyant.	A. Les sangles de retenue de la pompe n'ont pas été coupées. (Modèles avec des blocs de support uniquement.) B. B.Le joint torique est délogé.	A. Couper les sangles de retenue avec des cisailles de ferblantier. B. Retirer le jet, remplacer et lubrifier le joint torique, et réinstaller le jet.
6. Le chauffe-eau ne fonctionne pas. (Modèles "H" uniquement)	A. Pas de courant au chauffe-eau. B. La température de l'eau excède 104°F (40°C). C. Le chauffe-eau ne fonctionne pas.	A. Réinitialiser le GFCI ou le RCD. B. Laisser refroidir et le chauffe-eau redémarrera. C. Remplacer le chauffe-eau.

Guía de instalación

Bañera de hidromasaje

Información importante



ADVERTENCIA: Al usar aparatos eléctricos, siga siempre las precauciones básicas, incluyendo las siguientes:

El material de construcción y el cableado se deben colocar lejos del cuerpo de la bomba y de otros componentes que produzcan calor.

Instale la unidad de manera que se permita el acceso para darle servicio.

La conexión a tierra es un requisito. Un representante de servicio autorizado debe instalar esta unidad y conectarla a tierra.



ADVERTENCIA: Riesgo de descarga eléctrica. Un electricista calificado debe realizar todas las conexiones eléctricas.



ADVERTENCIA: Riesgo de descarga eléctrica. Desconecte el suministro eléctrico antes de dar servicio.



ADVERTENCIA: Riesgo de lesiones personales o daños a la propiedad. Lea atentamente todas las instrucciones antes de comenzar la instalación, incluyendo los requisitos detallados a continuación.

AVISO: Cumpla con todos los códigos locales de electricidad y de plomería.

Información sobre el producto

Requisitos eléctricos

La instalación debe contar con un interruptor de circuito con pérdida a tierra (GFCI) de Clase A o dispositivo de corriente residual (RCD). El GFCI o RCD protege contra el peligro de descarga eléctrica de línea a tierra. Utilice un circuito dedicado de 120 V, 15 A y 60 Hz para la bañera de hidromasaje.

Los modelos "H" requieren un circuito dedicado de 120 V, 15 A y 60 Hz para el calentador.

NOTA: Si el cable eléctrico de la bomba está dañado, debe ser reemplazado por el fabricante, un agente de servicio autorizado por el fabricante o personas igualmente calificadas para así evitar un peligro. El cable eléctrico del calentador no se puede reemplazar. Si el cable eléctrico está dañado, el calentador se debe reemplazar.

Avisos sobre el producto



ADVERTENCIA: Las modificaciones no autorizadas pueden causar un funcionamiento peligroso y bajo rendimiento de la bañera de hidromasaje. No cambie la ubicación de la bomba de la bañera de hidromasaje, ni haga otras modificaciones en el sistema de hidromasaje, ya que esto podría tener un efecto adverso en el rendimiento y en el funcionamiento seguro de la bañera de hidromasaje. Kohler Co. no se hace responsable bajo esta garantía o de ninguna otra forma, de las lesiones personales o los daños provocados por modificaciones no autorizadas.



ADVERTENCIA: Riesgo de descarga eléctrica. Desconecte el suministro eléctrico antes de dar servicio.



ADVERTENCIA: Riesgo de descarga eléctrica. Un electricista calificado debe realizar todas las conexiones eléctricas.

Información sobre el producto (cont.)



ADVERTENCIA: Riesgo de lesiones personales o daños a la propiedad. Por favor, lea atentamente todas las instrucciones antes de comenzar la instalación.

AVISO: Cumpla con todos los códigos locales de electricidad y de plomería.

Componentes ensamblados en fábrica

Los componentes instalados en la fábrica incluyen la bomba con cable de alimentación eléctrica y el interruptor de aire. No es necesario instalarlos.

Los modelos "H" también vienen equipados con un calentador.

La bomba y las tuberías de la bañera de hidromasaje están montadas en fábrica.

Acceso de servicio y a las conexiones

Antes de instalar, asegúrese de proveer el acceso adecuado a las conexiones finales.

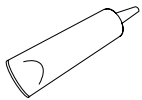
Información sobre el producto (cont.)

AVISO: Provea acceso sin restricciones para dar servicio a la bomba. Se debe proveer acceso para dar servicio a la bomba y los controles. El panel de acceso se debe ubicar justo al lado de la bomba. Consulte el diagrama de instalación que viene con la bañera de hidromasaje.

Contenido

Información importante	1
Información sobre el producto	1
Herramientas y materiales	3
Antes de comenzar	4
Prepare el sitio	5
Prepare la bañera de hidromasaje	5
Fije la unidad - Modelos con bloques de soporte	6
Fije la unidad - Modelos con base de bañera de hidromasaje	7
Fije la bañera de hidromasaje a la estructura de postes	8
Corte las cintas de la bomba—Modelos con bloques de soporte	8
Instale la plomería	8
Realice las conexiones eléctricas	9
Pruebe el funcionamiento de la bañera de hidromasaje	9
Termine la pared acabada	11
Cómo desmontar el faldón	11
Limpieza después de la instalación	11
Confirme el funcionamiento correcto	12
Procedimiento para resolver problemas	13

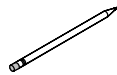
Herramientas y materiales



Sellador de silicona



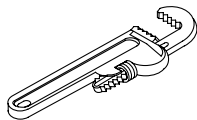
Cinta para medir



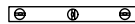
Lápiz



Lentes de seguridad



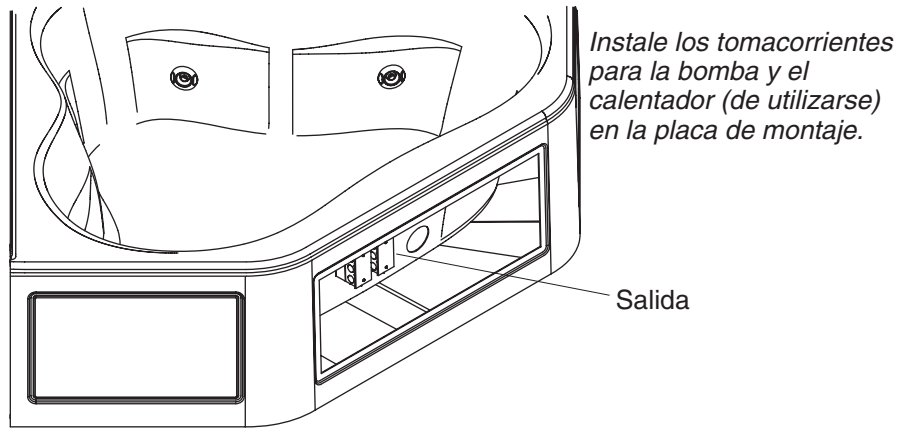
Llave para tubo



Nivel

Más:

- Materiales y herramientas convencionales para carpintería
- Lona
- Adhesivo de construcción (opcional)
- Cemento o mortero (opcional)
- Postes de madera de 2x4 ó 2x6
- Tornillos o pernos de fijación



Antes de comenzar

- **Para las bañeras de hidromasaje sin faldón:** Se requiere una instalación de sobreponer. **Para las bañeras de hidromasaje con faldón integral u opcional:** Se recomienda una instalación encajonada entre tres paredes o en esquina, dependiendo del modelo elegido.
- **Para las bañeras en esquina con faldón integral:** Pida a un electricista calificado que instale los tomacorrientes para la bomba y el calentador (de utilizarse) en el lugar especificado de la bañera de hidromasaje. Consulte la ilustración mostrada arriba.
- Verifique que la bañera de hidromasaje no esté dañada antes de iniciar la instalación.
- Confirme que haya suficiente espacio para montar y conectar la grifería especificada para su instalación.
- Kohler Co. se reserva el derecho de modificar el diseño de los productos sin previo aviso, tal como se especifica en la lista de precios.

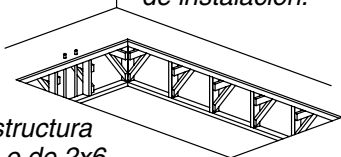
Coloque las tuberías de plomería.

Encadre el piso conforme al diagrama de instalación.

Instale las tuberías de plomería.

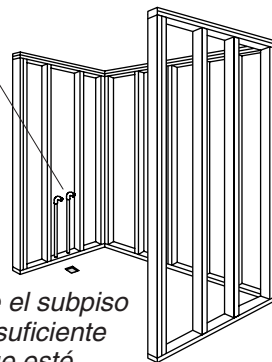
Construya una estructura de postes de 2x4 o de 2x6 según el diagrama de instalación incluido con el producto.

Construya una estructura de postes de 2x4 o de 2x6, conforme al diagrama de instalación.



Verifique que el subpiso proporcione el soporte adecuado, y que esté plano y nivelado.

Verifique que el subpiso proporcione suficiente soporte, y que esté plano y nivelado.



1. Prepare el sitio

AVISO: Consulte la Guía del diagrama de instalación embalada con su bañera de hidromasaje para el soporte mínimo requerido del piso en libras/pie cuadrado (kg/metro cuadrado).

- Asegúrese de que el piso ofrezca suficiente soporte para su bañera de hidromasaje y que el subpiso esté plano y nivelado.

Para las bañeras de hidromasaje sin faldón:

AVISO: La bañera de hidromasaje debe instalarse sobrepuesta.

- Construya una estructura de postes de 2x4 ó 2x6 para su instalación.

AVISO: Los pies o base de la bañera de hidromasaje deben soportarla. No apoye el peso de la bañera de hidromasaje por el perímetro del borde.

- **Para una instalación elevada:** Construya una estructura de postes de madera en el piso o construya una estructura conforme a la información de instalación provista con la bañera de hidromasaje.
- Trace y corte con cuidado el material de la cubierta no acabada. Si se ha incluido, utilice la plantilla de corte, o en su defecto, consulte la información de corte en la Guía del diagrama de instalación.

Para las bañeras de hidromasaje con faldón integral u opcional:

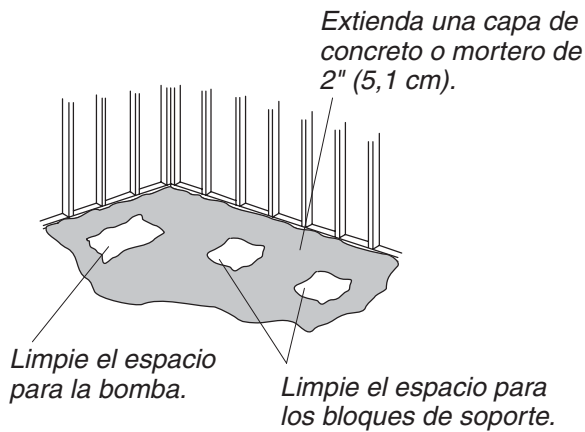
- La bañera de hidromasaje debe instalarse encajonada entre tres paredes o en esquina, dependiendo del modelo elegido. Construya una estructura de postes de 2x4 ó 2x6 diseñada para su instalación en particular. Construya una estructura conforme a la información de instalación provista con la bañera de hidromasaje.

Para todas las instalaciones:

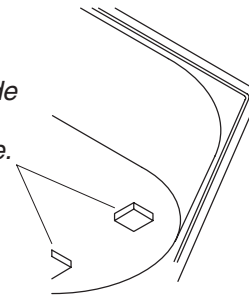
- Instale las tuberías de plomería según el diagrama de instalación provisto. Tape los suministros y verifique que no haya fugas.

2. Prepare la bañera de hidromasaje

- Instale el desagüe en la bañera de hidromasaje según las instrucciones del fabricante del desagüe. Aún no conecte la trampa.
- Coloque una lona gruesa limpia o un material similar en el fondo de la bañera de hidromasaje. Tenga cuidado de no rayar la superficie de la bañera de hidromasaje.



Aplique adhesivo de construcción a los bloques de soporte.



3. Fije la unidad - Modelos con bloques de soporte

AVISO: No levante la bañera de hidromasaje por los tubos o la bomba, ni use los tubos o la bomba como soporte estructural de la bañera de hidromasaje. Para evitar daño a la bañera de hidromasaje, levántela por los lados.

AVISO: No apoye el peso de la bañera de hidromasaje por el perímetro del borde. El perímetro del borde debe tener el soporte adecuado, pero no debe soportar el peso de la bañera de hidromasaje.

- Si el subpiso no está nivelado, acúñe los bloques de soporte de la bañera de hidromasaje según sea necesario.

Elija la opción de instalación más apropiada para su instalación en particular. Siga las instrucciones correspondientes.

Opción que utiliza una capa de cemento o mortero

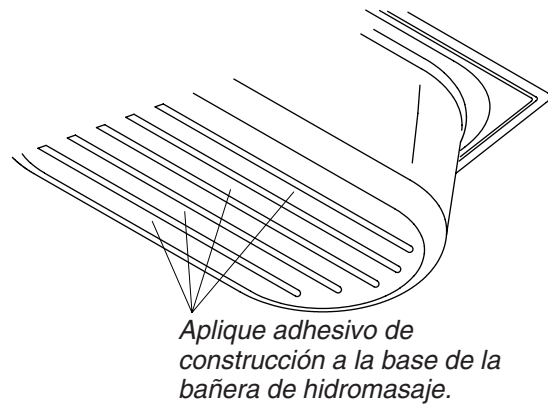
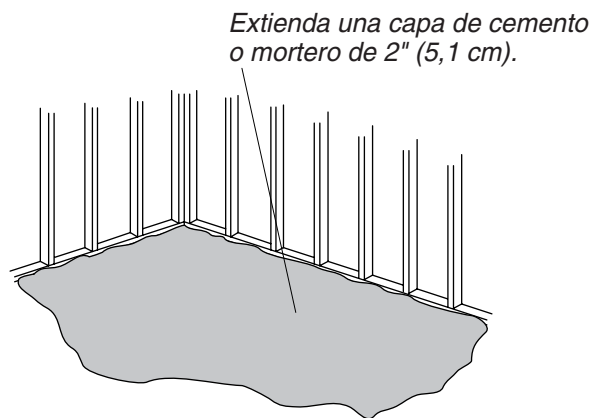
NOTA: No utilice cemento de yeso o pasta para paneles de yeso con esta aplicación, puesto que no proporcionarán una adherencia aceptable ni duradera.

NOTA: El soporte de la bomba (cuando las cintas metálicas están cortadas) y los bloques de soporte deben descansar directamente sobre el subpiso.

- Extienda una capa de 2" (5,1 cm) de espesor de cemento o mortero en el subpiso donde se instalará la bañera de hidromasaje. Esto ayudará a fijar, nivelar y dar soporte a la unidad. Limpie todo el material de la zona donde se instalarán los soportes de la bomba y los bloques de soporte.
- Coloque un pedazo de lona gruesa de plástico sobre el cemento o mortero. Obtenga ayuda para colocar la bañera de hidromasaje en su lugar y verifique que el soporte de la bomba y los bloques de soporte no se apoyen sobre la capa de material.
- Fije el tubo final del desagüe en la trampa. Asegúrese de que la bañera de hidromasaje esté a nivel y apoyada en todos los bloques de soporte.

Opción que utiliza adhesivo de construcción

- Aplique una cantidad abundante de adhesivo de construcción de alta calidad en la parte inferior de los bloques de soporte. Obtenga ayuda para colocar con cuidado la bañera de hidromasaje en su lugar.
- Inserte el tubo final en la trampa. Asegúrese de que la bañera de hidromasaje esté a nivel y apoyada en todos los bloques de soporte.



4. Fije la unidad - Modelos con base de bañera de hidromasaje

AVISO: No levante la bañera de hidromasaje por los tubos o la bomba, ni use los tubos o la bomba como soporte estructural de la bañera de hidromasaje. Para evitar daño a la bañera de hidromasaje, levántela por los lados.

AVISO: No apoye el peso de la bañera de hidromasaje por el perímetro del borde. El perímetro del borde debe tener el soporte adecuado, pero no debe soportar el peso de la bañera de hidromasaje.

Elija la opción de instalación más apropiada para su instalación en particular. Siga las instrucciones correspondientes.

- Si el subpiso no está nivelado, será necesario acuñar la base de la bañera.

Opción que utiliza una capa de cemento o mortero

NOTA: No utilice cemento de yeso o pasta para paneles de yeso con esta aplicación, puesto que no proporcionarán una adherencia aceptable ni duradera.

- Extienda una capa de 2" (5,1 cm) de espesor de cemento o mortero en el subpiso donde se instalará la bañera de hidromasaje. Esto ayudará a fijar, nivelar y dar soporte a la unidad.
- Coloque un pedazo de lona gruesa de plástico sobre el cemento o mortero. Obtenga ayuda para colocar con cuidado la bañera de hidromasaje en su lugar.
- Inserte el tubo final en la trampa. Verifique que la bañera de hidromasaje esté nivelada. Utilice tornillos o pernos de fijación (no provistos) para fijar la base de la bañera de hidromasaje al piso. Taladre pequeños orificios guía en la base de la bañera, según sea necesario.

Opción que utiliza adhesivo de construcción

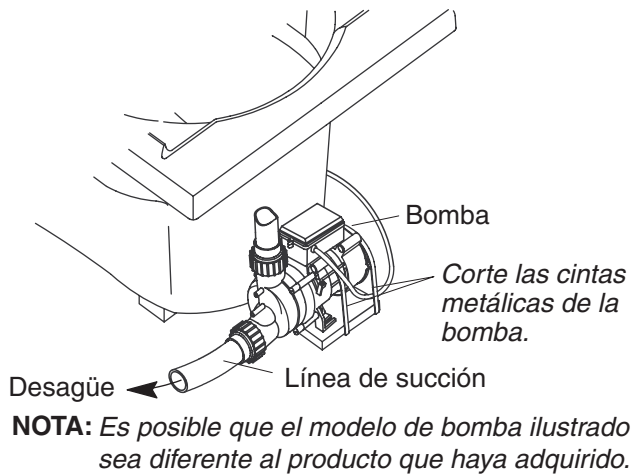
- Aplique una cantidad abundante de adhesivo de construcción de alta calidad por debajo de la base de la bañera de hidromasaje. Obtenga ayuda para colocar con cuidado la bañera de hidromasaje en su lugar.
- Inserte el tubo final en la trampa. Verifique que la bañera de hidromasaje esté nivelada. Utilice tornillos o pernos de fijación (no provistos) para fijar la base de la bañera de hidromasaje al piso. Taladre pequeños orificios guía en la base de la bañera, según sea necesario.

Clave listones de enrasar de 1/4" (6 mm) en los postes.

Poste

Utilice clavos galvanizados de cabeza grande #6 para fijar el reborde de clavado a los postes.

Taladre un pequeño orificio a través del reborde de clavado en cada poste.



5. Fije la bañera de hidromasaje a la estructura de postes

- Taladre un pequeño orificio guía a través del reborde de clavado en cada poste. Añada cuñas entre el reborde de clavado y los postes según sea necesario para eliminar los huecos.
- Clave los listones de enrasar de 1/4" (6 mm) de espesor en los postes para emparejar el borde con el reborde de clavado.
- Utilice clavos de cabeza grande galvanizados del #6 para fijar el reborde de clavado a los postes de madera.

6. Corte las cintas de la bomba—Modelos con bloques de soporte

¡IMPORTANTE! Este paso es necesario para que su bañera de hidromasaje Kohler funcione más silenciosamente.

NOTA: No levante la bomba a mayor altura de la que tenía antes de cortar las cintas metálicas. Si la bomba está demasiado alta, no cebará correctamente.

- Utilice tijeras de chapa para cortar las dos cintas metálicas de la bomba. Después de cortar las cintas metálicas, el soporte de la bomba y la bomba descenderán una 1/2" (1,3 cm) hasta apoyarse en el subpiso. Si la bomba desciende más de 1/2" (1,3 cm), coloque cuñas debajo del soporte de la bomba, de manera que haya un espacio de 1/2" (1,3 cm) entre la bomba y el soporte para un buen desagüe.
- Para minimizar el ruido y la vibración de la bañera de hidromasaje, asegúrese de que la bomba no esté en contacto directo con el soporte de transporte una vez cortadas las cintas metálicas.
- Fije el soporte de la bomba al subpiso con tornillos o pernos de fijación (no provistos).

7. Instale la plomería



PRECAUCIÓN: Riesgo de daños a la propiedad. Debe existir un sello hermético en el desagüe de la bañera de hidromasaje. Este sello hermético evitará daños a la propiedad.

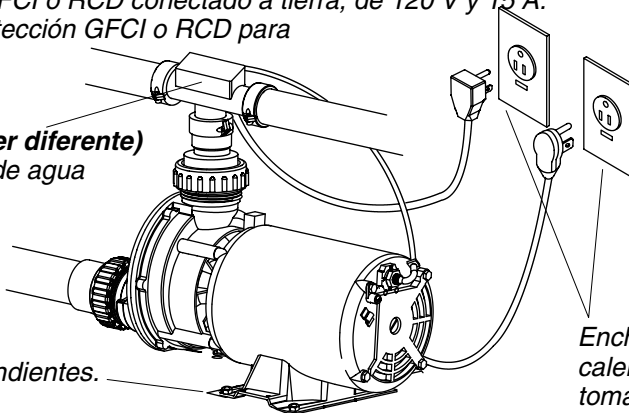
- Conecte el desagüe a la trampa según las instrucciones del fabricante del desagüe.
- Instale las válvulas de la grifería según las instrucciones del fabricante de la grifería. No instale la guarnición de la grifería hasta que se le indique. Abra los suministros del agua caliente y fría, y compruebe que no haya fugas en las conexiones de suministro.
- Haga que el agua circule en la bañera de hidromasaje y compruebe que no haya fugas en las conexiones del desagüe.

Instale un tomacorriente con protección GFCI o RCD conectado a tierra, de 120 V y 15 A.
Instale un segundo tomacorriente con protección GFCI o RCD para el calentador de los modelos "H".

Calentador opcional (el modelo puede ser diferente) bien sea de estilo T (ilustrado) o de toma de agua (no ilustrado).

Verifique que la tubería del accionador de aire esté bien conectada a la bomba.

Cumpla con los códigos correspondientes.



Enchufe la bomba y el calentador en estos tomacorrientes.

NOTA: Es posible que el modelo de bomba ilustrado sea diferente al producto que haya adquirido.

8. Realice las conexiones eléctricas



ADVERTENCIA: Riesgo de descarga eléctrica. Asegúrese de desconectar la corriente eléctrica antes de realizar el siguiente procedimiento.



ADVERTENCIA: Riesgo de descarga eléctrica. Conecte la bomba y el calentador en línea (si provisto) a un tomacorriente con conexión a tierra que tenga protección mediante un interruptor de circuito con pérdida a tierra (GFCI) o dispositivo de corriente residual (RCD). No retire las clavijas de conexión a tierra del enchufe. No utilice adaptadores de conexión a tierra.

NOTA: Esta etiqueta identifica el número de modelo y la capacidad nominal eléctrica de la bañera de hidromasaje que se encuentra cerca de la bomba de hidromasaje.

AVISO: La bomba (provista) y el calentador (si provisto) están equipados con un cable y un enchufe. Todo el cableado del calentador se ha realizado en fábrica. Un electricista calificado debe instalar un tomacorriente conectado a tierra, de 120 V, 15 A con protección mediante un interruptor GFCI o RCD. Este circuito no debe tener ninguna otra carga.

Cableado de la bomba

- Coloque el tomacorriente detrás de la bañera de hidromasaje y a menos de 24" (61 cm) de la bomba.
- Enchufe la bomba en este tomacorriente.

NOTA: Asegúrese de que el tubo del accionador de aire esté bien conectado a la bomba y que no esté doblado o dañado.

Cableado del calentador – Modelos "H"

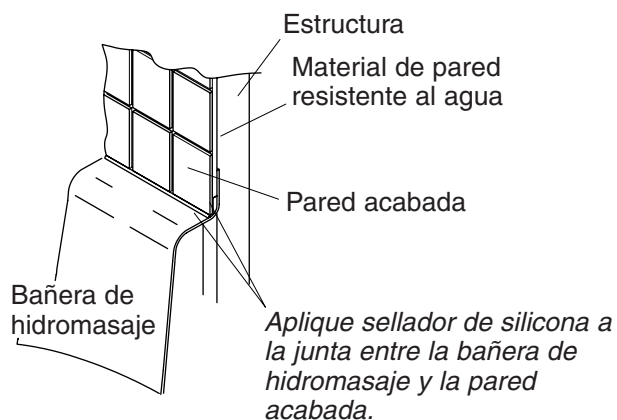
- Coloque el tomacorriente detrás de la bañera de hidromasaje y a menos de 24" (61 cm) del calentador.
- Enchufe el calentador en este tomacorriente.

9. Pruebe el funcionamiento de la bañera de hidromasaje

- Revise todas las conexiones eléctricas y asegúrese de que la bañera de hidromasaje y el calentador (de estar equipado) tengan alimentación eléctrica.
- Asegúrese de que todas las conexiones de unión de la bomba y el calentador estén bien apretadas a mano.
- Verifique que las cintas metálicas de la bomba estén cortadas (de ser pertinente) y que la bomba descansa directamente en el subpiso o la base de la bañera de hidromasaje.
- Llene la bañera de hidromasaje al menos 2" (5,1 cm) por encima del jet más alto. Consulte la sección "Verifique el funcionamiento correcto" para obtener información adicional.

Pruebe el funcionamiento de la bañera de hidromasaje (cont.)

- Deje funcionar la bañera de hidromasaje durante 5 minutos y revise que no haya fugas en las conexiones de todas las tuberías.



En los modelos con faldón integral, el acceso a la bomba se realiza desmontando el faldón por los bordes con ayuda de un destornillador plano o cuchillo romo.

10. Termine la pared acabada

NOTA: Si su modelo posee un faldón integral, está diseñado de manera que el material de la pared acabada [1-1/2 (3,8 cm) máx.] recubre las columnas del faldón. El revestimiento del piso [2" (5,1 cm) máx.] debe quedar a tope con el faldón.

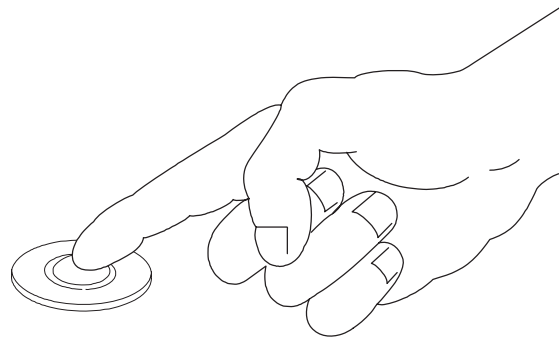
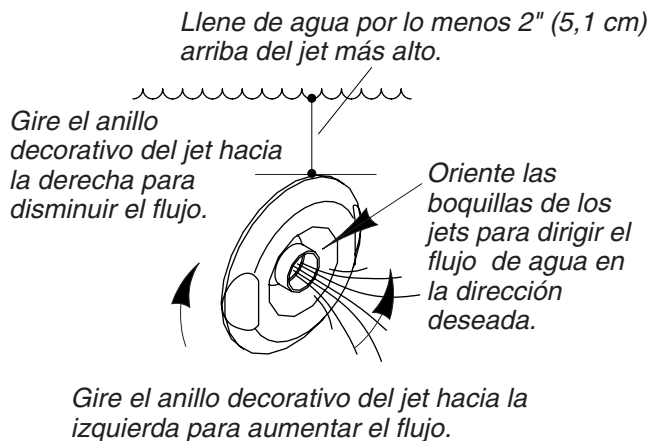
- Retire con cuidado la cinta protectora del borde de la bañera de hidromasaje, si aún no lo ha hecho.
- De ser necesario, deje espacio para montar el surtidor y las válvulas en la cubierta.
- Cubra la estructura de postes de madera con material de pared resistente al agua. Selle las juntas entre el filo del borde de la bañera de hidromasaje y el material de pared resistente al agua con sellador de silicona.
- Adhiera el material de pared resistente al agua con cinta y yeso. Instale la pared acabada con el material resistente al agua. Selle las juntas entre el borde de la bañera de hidromasaje y el material de la pared acabada utilizando sellador de silicona.
- Instale la guarnición de la grifería según las instrucciones del fabricante.

11. Cómo desmontar el faldón

- Esta bañera de hidromasaje está equipada con un faldón integral que le facilita el acceso a los controles del hidromasaje. Para desmontar el faldón, inserte la punta de un destornillador plano o de un cuchillo sin dientes por debajo del borde del panel del faldón. Tenga cuidado de no rayar las superficies visibles. Apalanque suavemente en uno de los extremos. Saque con cuidado el panel del faldón.
- Para reinstalarlo, arquee el faldón ligeramente, de manera que ambos extremos puedan introducirse simultáneamente. Presione levemente el centro del panel para fijar el faldón en su lugar.

12. Limpieza después de la instalación

- Al limpiar después de la instalación, **no utilice productos de limpieza abrasivos**, pues pueden rayar y opacar la superficie de la bañera de hidromasaje. Utilice agua tibia y detergente líquido para limpiar la superficie.
- Limpie las manchas difíciles de quitar, la pintura y el alquitrán con aguarrás o diluyente de pintura. **No permita que los productos de limpieza que contengan destilados de petróleo permanezcan en contacto con la superficie de la bañera de hidromasaje por periodos prolongados.** El yeso se puede eliminar raspando con un canto de madera. No utilice raspadores de metal, cepillos de alambre ni otras herramientas metálicas. Se puede utilizar un detergente en polvo con un trapo húmedo para proporcionar una acción abrasiva suave en los residuos de yeso.



Presione el accionador de aire para encender o apagar la bañera de hidromasaje.

13. Confirme el funcionamiento correcto

Llene la bañera de hidromasaje

- Coloque las boquillas de los jets de manera que miren hacia abajo en la bañera. Gire los anillos decorativos de los jets totalmente hacia la izquierda.
- **Llene la bañera de hidromasaje con agua al menos 2" (5,1 cm) por encima de la parte superior del jet más alto.**

NOTA: La temperatura del agua en la bañera de hidromasaje no debe exceder de 104°F (40°C).

- Para dar servicio a los diafragmas, introduzca un lápiz en la boquilla del jet y saque el diafragma. Después de eliminar la obstrucción que pueda haber, verifique que el diafragma esté limpio y presiónelo en el alojamiento del jet.

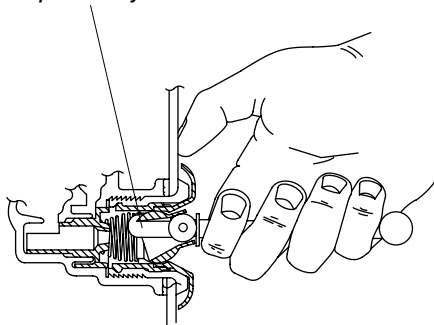
NOTA: Los diafragmas sólo se instalan en los jets de bañeras de hidromasaje que tienen seis o más jets en el sistema de hidromasaje.

Secuencia de funcionamiento

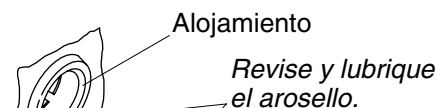
- Presione el accionador de aire para encender los jets de la bañera de hidromasaje.
- Ajuste cada jet para obtener una mezcla óptima de aire/agua. Gire el anillo decorativo hacia la derecha para reducir el flujo de aire, y hacia la izquierda para aumentarlo.
- Si está equipado con un calentador, el calentador se activará automáticamente al encenderse la bomba y se desactivará cuando se apague la bomba. El calentador no se activará si la temperatura del agua excede 104°F (40°C).
- Vuelva a oprimir el accionador de aire por segunda vez para apagar la bañera de hidromasaje.

Extraiga los jets

Inserte el gancho de la herramienta tal como se ilustra y saque el jet del alojamiento. Al realizar este paso el jet debe estar orientado hacia arriba.



Vuelva a instalar los jets



Deslice el arosello en el primer reborde del jet.

Inserte el jet en el alojamiento, empuje y gire el jet levemente hasta que encaje en su lugar.

Procedimiento para resolver problemas

AVISO: Esta sección es sólo para ayuda general. Un representante de servicio autorizado de Kohler o un electricista calificado debe resolver todos los problemas eléctricos. Para obtener servicio cubierto por la garantía, póngase en contacto con el vendedor o el distribuidor mayorista.

Extraiga los jets

NOTA: Se ha incluido una herramienta especial junto a los jets de repuesto, para extraer los jets de la bañera de hidromasaje. Esta herramienta también se incluye con cada kit de guarnición.

- Coloque la boquilla esférica del jet de manera que apunte hacia arriba.

NOTA: La boquilla debe seguir apuntando hacia arriba, de lo contrario la herramienta se resbalará.

- Inserte la herramienta de extracción con el gancho hacia arriba en la abertura del jet y enganche la parte superior en la boquilla.
- Sostenga la herramienta con fuerza y coloque el dedo pulgar contra la pared de la bañera de hidromasaje. Jale la herramienta uniformemente hasta que el montaje del jet salga del orificio. Tenga cuidado de no perder el arosello (O-ring).

Vuelva a instalar los jets

NOTA: Para permitir que el jet gire fácilmente y funcione correctamente, el arosello (O-ring) debe estar: (1) bien colocado, (2) lubricado y (3) en buenas condiciones.

- Instale el arosello (O-ring) en el **primer reborde** del jet.
- Utilice el paquete del tubo de silicona (provisto) para lubricar el arosello con el fin de evitar un funcionamiento ruidoso del jet.
- Inserte con cuidado el jet en el alojamiento, luego empuje levemente y gire el jet hasta que encaje en su lugar. **No fuerce el jet.**
- Verifique que el jet esté instalado correctamente. El jet debe girar sin problemas en ambos sentidos. Retire y vuelva a instalar, si es necesario.

Procedimiento para resolver problemas (cont.)

Síntomas	Causas probables	Acción recomendada
<p>1. La bañera de hidromasaje no se enciende o apaga.</p>	<p>A. El motor no tiene alimentación eléctrica.</p> <p>B. La manguera de aire está floja o desconectada.</p> <p>C. La manguera de aire está pellizcada o doblada.</p> <p>D. alguna(s) pieza(s) del montaje de botón está(n) dañada(s).</p> <p>E. El botón tiene grasa en el área de purga.</p> <p>F. La manguera de aire está dañada.</p> <p>G. El motor/bomba no funciona.</p>	<p>A. Verifique que la bomba y el calentador estén enchufados y que el interruptor GFCI o RCD esté en la posición correcta. Enchufe o restablezca la corriente eléctrica (reset) del GFCI/RCD.</p> <p>B. Verifique que la manguera esté conectada al extremo de la bomba/receptor y al interruptor de aire. Vuelva a conectar si es necesario.</p> <p>C. Ajuste la manguera para eliminar el área pellizcada/doblada. Si el tubo está pellizcado/doblado y no es posible ajustarlo, o bien no se ve la sección pellizcada/doblada, haga un orificio pequeño en el tubo con una tachuela y vuelva a probar el sistema.</p> <p>D. Reemplace el montaje de botones.</p> <p>E. Desensamble el montaje de botón y limpie el exceso de grasa. Vuelva a ensamblar el botón y vuelva a probar el sistema.</p> <p>F. Reemplace la manguera de aire.</p> <p>G. Repare o reemplace el motor/bomba.</p>
<p>2. El motor se enciende, no todos los jets funcionan.</p>	<p>A. El jet está cerrado.</p> <p>B. El jet no está instalado correctamente.</p> <p>C. Los jets están obstruidos.</p>	<p>A. Gire el anillo decorativo del jet hacia la izquierda para abrirlo.</p> <p>B. Vuelva a instalar el jet; revise que el arosello (O-ring) no esté dañado.</p> <p>C. Elimine la obstrucción.</p>
<p>3. La bañera de hidromasaje se detiene automáticamente antes de 18 minutos.</p>	<p>A. El interruptor GFCI o RCD se dispara.</p> <p>B. La succión está obstruida.</p> <p>C. Los jets están obstruidos.</p> <p>D. El motor se ha sobrecalentado, activando el dispositivo de protección.</p>	<p>A. Identifique la causa de la falla y corrija.</p> <p>B. Elimine la obstrucción.</p> <p>C. Elimine la obstrucción.</p> <p>D. Verifique que no haya obstrucciones en las ventilaciones del motor. Elimine la obstrucción y deje enfriar el motor. Verifique que no haya obstrucciones en la succión. Elimine la obstrucción y deje enfriar el motor. Verifique que no haya obstrucciones en los jets. Elimine la obstrucción y deje enfriar el motor.</p>

Procedimiento para resolver problemas (cont.)

Síntomas	Causas probables	Acción recomendada
4. La bomba no hace el cebado. (Modelos con bloques de soporte únicamente).	A. La bomba se ha acuñado demasiado.	A. Baje el soporte de la bomba.
5. Funcionamiento ruidoso.	A. Las cintas metálicas de la bomba no se han cortado. (Modelos con bloques de soporte únicamente). B. El arosello (O-ring) del jet está mal colocado.	A. Corte las cintas metálicas con unas tijeras para chapa. B. Extraiga el jet, reemplace y lubrique el arosello (O-ring); vuelva a instalar el jet.
6. El calentador no funciona. (Modelos "H" solamente)	A. El calentador no tiene alimentación eléctrica. B. La temperatura del agua sobrepasa los 104°F (40°C). C. El calentador no funciona.	A. Oprima el botón de restablecer el interruptor GFCI o RCD. B. Deje que el agua se enfríe y el calentador se activará. C. Reemplace el calentador.

USA/Canada: 1-800-4KOHLER

México: 001-877-680-1310

kohler.com

THE BOLD LOOK
OF **KOHLER**®

©2009 Kohler Co.

1011092-2-F