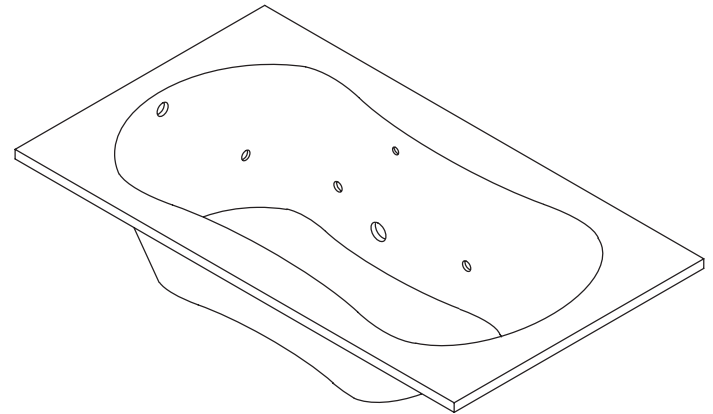


FEATURES

- 60" (152.4cm) x 32" (76.2cm) x 18-1/8" (46cm)
- Acrylic
- Drop-in rim style
- 6 individually adjustable multi-directional hydro-massage jets
- 1-1/4 HP pump with air switch and cord with plug
- In-line heater with cord and plug
- Molded lumbar supports and armrests



CODES/STANDARDS APPLICABLE

Specified model meets or exceeds the following:

- ASME/ANSI A112.19.7M
- ANSI Z124.1
- IAPMO/UPC
- Underwriters Laboratories (UL)
- State of Massachusetts

COLORS/FINISHES

- 0 White
- Other Refer to Fixtures Price Book for additional colors

Accessories:

- CP Polished Chrome

SPECIFIED MODEL:

Model	Description	Colors/Finishes	
K-1106-HN	Whirlpool, drop-in rim style, custom pump with heater	<input type="checkbox"/> 0 White	<input type="checkbox"/> Other _____
Recommended Accessories			
K-11677	Drain		<input type="checkbox"/> CP
Optional Accessories			
K-1284	Removable apron	<input type="checkbox"/> 0 White	<input type="checkbox"/> Other _____
K-1639	Timer Kit		<input type="checkbox"/> NA

PRODUCT SPECIFICATION:

The bath whirlpool shall be 60" (152.4cm) in length, 32" (76.2cm) in width, and 18-1/8" (46cm) in height. Bath whirlpool shall be made of acrylic and drop-in rim style. Bath whirlpool shall have 6 individually adjustable multi-directional hydro-massage jets, 1-1/4 HP pump with air switch and cord with plug and in-line heater with cord and plug. Bath whirlpool shall have molded lumbar supports and armrests. Bath whirlpool shall be UL listed. Bath whirlpool shall be Kohler Model K1106-HN-_____.

PROFLEX™ 6032

PRODUCT INFORMATION

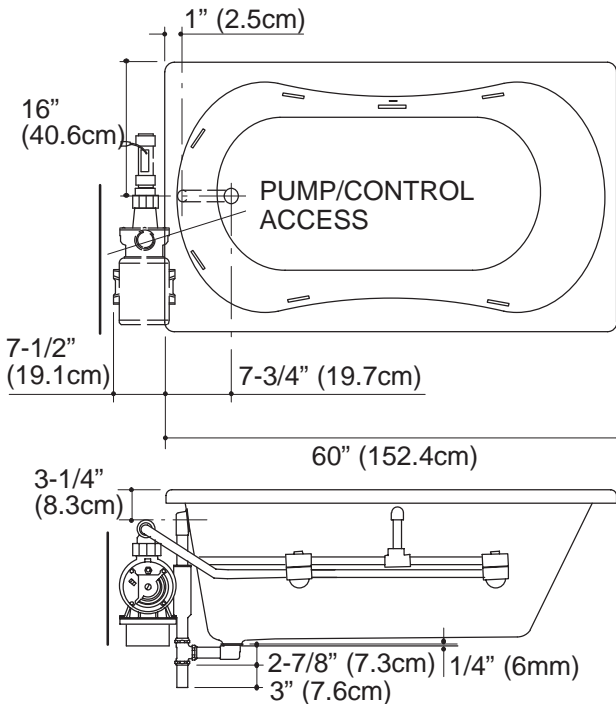
Fixture*:	basin area	top area	weight		
Bathing well	46" (116.8cm) x 20" (50.8cm)	55" (139.7cm) x 22" (55.9cm)	54 lbs. (24 kg)		
	water depth	capacity			
To overflow	12-1/2" (31.8cm)	49 gal. (185 L)			
* Approximate measurements for comparison only.					
Pump:	HP	V	Hz	A	
1-speed	1-1/4	120	60	7.5	
Heater:	kw	V	Hz	A	
	1.5	120	60	12.5	

REQUIRED ELECTRICAL SERVICE

Two dedicated circuits required, protected with Class A Ground-Fault Circuit-Interrupters (GFCI):	
Pump/control	120 V., 15 A, 60 Hz
Heater	120 V., 15 A, 60 Hz
Locate the outlets behind the whirlpool and within 24" (61cm) of the pump and heater.	

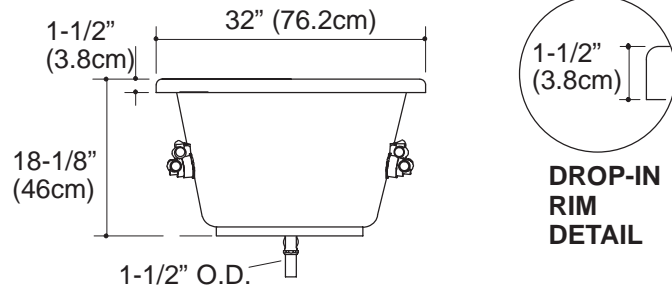
INSTALLATION NOTES

Floor support under whirlpool must provide for a minimum of 80 lbs./square foot (390 Kg./square meter) loading.
The apron must be installed before the finish floor and wall materials are installed.



1.25>132

No change in measurements if connected with drain illustrated. (K-11677 or K-11677M)		
Cut-out	58-1/2" (148.6cm) x 30-1/2" (77.5cm)	
Minimum access panel:		
Pump/heater/control	20" (50.8cm) W x 15" (38.1cm) H	required



DROP-IN RIM DETAIL

PRODUCT DIAGRAM