

### Features

- Metal construction.
- Brass valve bodies.
- Quarter-turn washerless ceramic disc valves.
- Pop-up drain with lift rod and tailpiece.
- Oval handles.
- Stationary spout.
- 5-1/16" (129 mm) spout reach.
- Spout height appropriate for use with above-counter bathroom sinks.
- 1.2 gal/min (4.5 l/min) maximum flow rate [max at 60 psi (4.14 bar)].



### Codes/Standards

ASME A112.18.1/CSA B125.1

NSF 61

NSF 372

All applicable US Federal and State material regulations

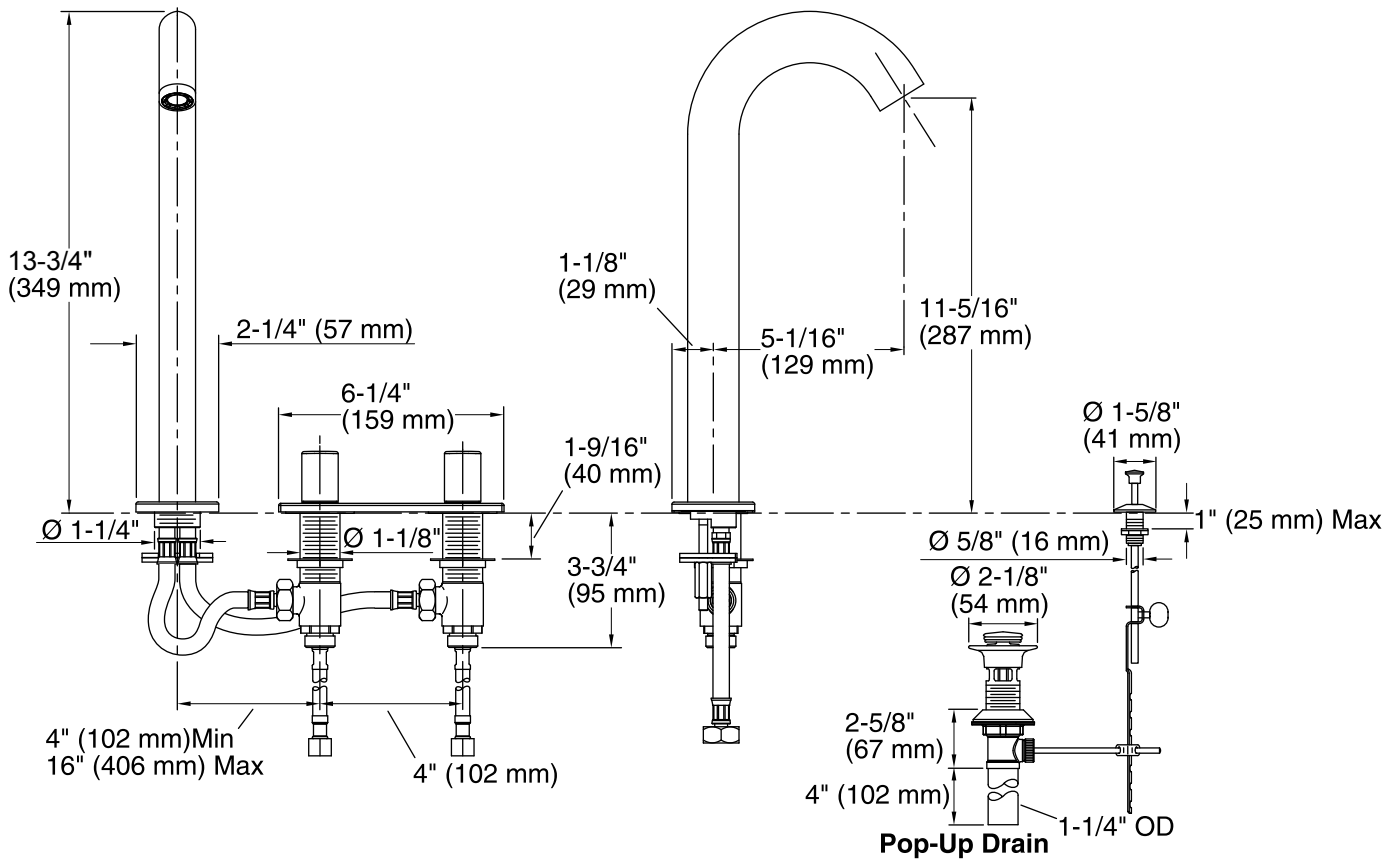
DOE - Energy Policy Act 1992

EPA WaterSense®

California Energy Commission (CEC)

### KOHLER® Faucet Lifetime Limited Warranty

See website for detailed warranty information.



### Technical Information

All product dimensions are nominal.

Drain included: YES

Drain tailpiece included: YES

Drain included: YES

### Spout:

Spout reach: 5-1/16" (129 mm)

### Faucet:

Flow rate: 1.2 gal/min (4.5 l/min)

Pressure: 60 psi (4.1 bar)

### Notes

Install this product according to the installation guide.