

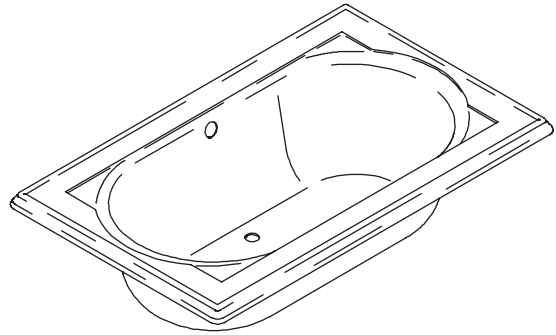
Features

- Acrylic
- Optional K-1491 removable bath pillow
- Optional K-1601 footstop
- 66" (167.6 cm) x 42" (106.7 cm) x 22" (55.9 cm)

Codes/Standards Applicable

Specified model meets or exceeds the following:

- ANSI Z124.1.2
- IAPMO/UPC



Colors/Finishes

- 0: White
- Other: Refer to Price Book for additional colors/finishes

Accessories

- 0: White
- CP: Polished Chrome
- PB: Vibrant® Polished Brass
- Other: Refer to Price Book for additional colors/finishes

Specified Model

Model	Description	Colors/Finishes	
K-1169	Bath	<input type="checkbox"/> 0	<input type="checkbox"/> Other_____
Recommended Accessories			
K-7161-AF	Pop-up drain OR	<input type="checkbox"/> PB	<input type="checkbox"/> CP <input type="checkbox"/> Other_____
K-7213	Cable drain with PVC tubing OR	<input type="checkbox"/> CP	<input type="checkbox"/> Other_____
K-7214	Cable drain without PVC tubing	<input type="checkbox"/> CP	<input type="checkbox"/> Other_____
Optional Accessories			
K-1491	Pillow	<input type="checkbox"/> 0	<input type="checkbox"/> Other_____
K-1601	Footstop	<input type="checkbox"/> 0	<input type="checkbox"/> Other_____

Product Specification

The acrylic bath shall be 66" (167.6 cm) in length, 42" (106.7 cm) in width, and 22" (55.9 cm) in height. Bath shall have an optional K-1491 removable pillow, and an optional K-1601 footstop. Bath shall be Kohler Model K-1169-_____.

MEMOIRS®

Technical Information

Fixture*:	
Basin area:	
Bathing well	42" (106.7 cm) x 27" (68.6 cm)
Top area	54" (137.2 cm) x 30" (76.2 cm)
To overflow:	
Water depth	16" (40.6 cm)
Capacity	81 gal (306.6 L)
Weight	80 lbs (36.3 kg)
Drop-in cut-out	64-1/2" (163.8 cm) x 40-1/2" (102.9 cm)
* Approximate measurements for comparison only.	

Installation Notes

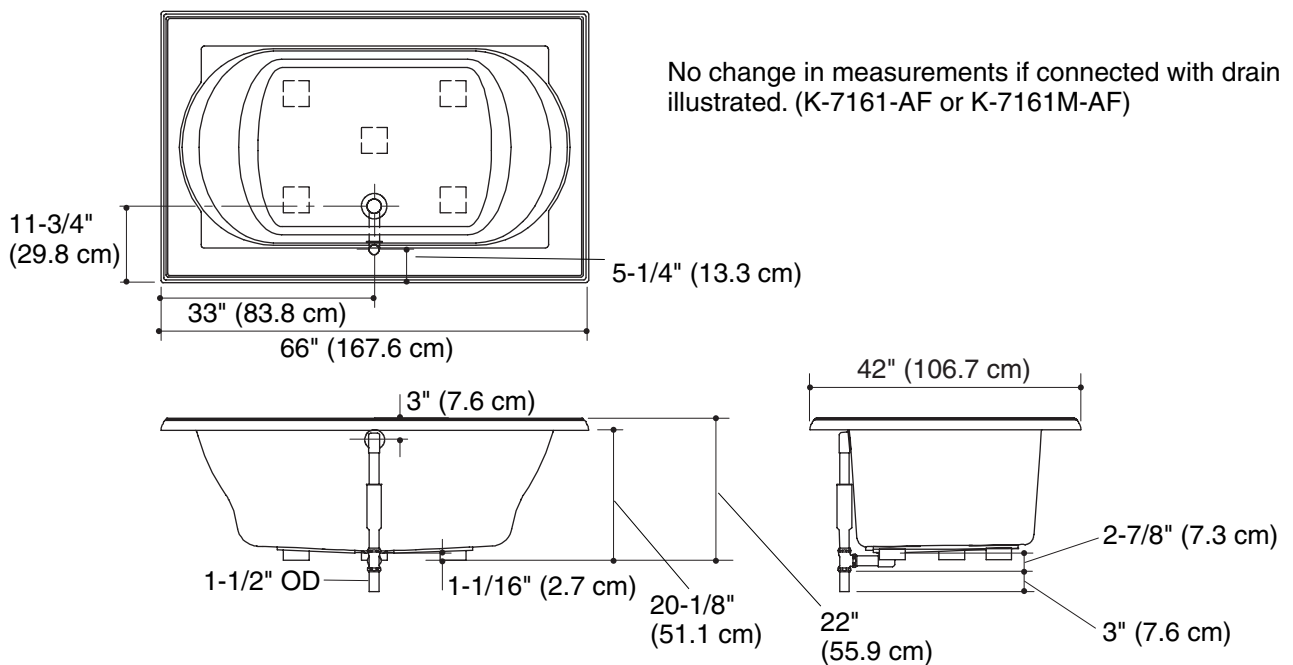
Install this product according to the installation guide.

Floor support under bath must provide for a minimum of 40 lbs (196 kg).

Hot water supply should be 70% of capacity or greater. Installations will vary.

If installing a rim-mount faucet, make sure there is no interference with drain overflow before drilling any holes. Consult local and national codes for minimum air gap requirements if installing a spout on the faucet deck.

This bath is designed for drop-in installation only. It is not suited for use in a three-wall alcove with an overhead shower.



Product Diagram