



### Features

- Integral flange.
- Right drain.
- Slotted overflow for deep soaking.
- Chromatherapy lighting allows you to select a preferred color scheme to suit your mood.
- Integral lumbar support.
- 60" (1524 mm) x 30" (762 mm) x 19" (483 mm)

### Material

- Acrylic

### Hydrotherapy

- 122 BubbleMassage™ airjets. 18 levels of massage intensity.
- Zones of Control feature allows you to target massage to back, midsection, or feet.
- Automatic purge cycles remove residual water from air channels after use.
- Built-in 300 W heater.
- Lighted keypad control.

### Installation

- Alcove

### Required Accessories

K-7271 Brass Slotted Overflow Bath Drain

or

K-7272 PVC Slotted Overflow Bath Drain

### Recommended Accessories

K-1491 Bath/Whirlpool Pillow

K-1601 Bath/Whirlpool Footstop

K-1705 Whirlpool/BubbleMassage™ Remote Control

K-9497 2-1/2" Keypad Trim

K-24916 Wireless Music Kit

K-9498 3" Keypad Trim

K-702200-G54 Frameless Sliding Bath Door

K-702200-G73 Frameless Sliding Bath Door

K-702200-L Frameless Sliding Bath Door

K-702205-L Frameless Sliding Bath Door

K-706000-D3 Frameless Sliding Bath Door

K-706000-L Frameless Sliding Bath Door

K-706003-L Frameless Sliding Bath Door

K-706004-D3 Frameless Sliding Bath Door

K-706004-L Frameless Sliding Bath Door

K-706007-L Frameless Sliding Bath Door



### ADA

### Codes/Standards

ASME A112.19.7/CSA B45.10

CSA B45.5/IAPMO Z124

ASTM E162

ASTM E662

UL 1795

CSA C22.2 No. 218.2

Greenguard UL 2818 - Gold

ADA

ICC/ANSI A117.1

CARB P2

### KOHLER® One-Year Limited Warranty

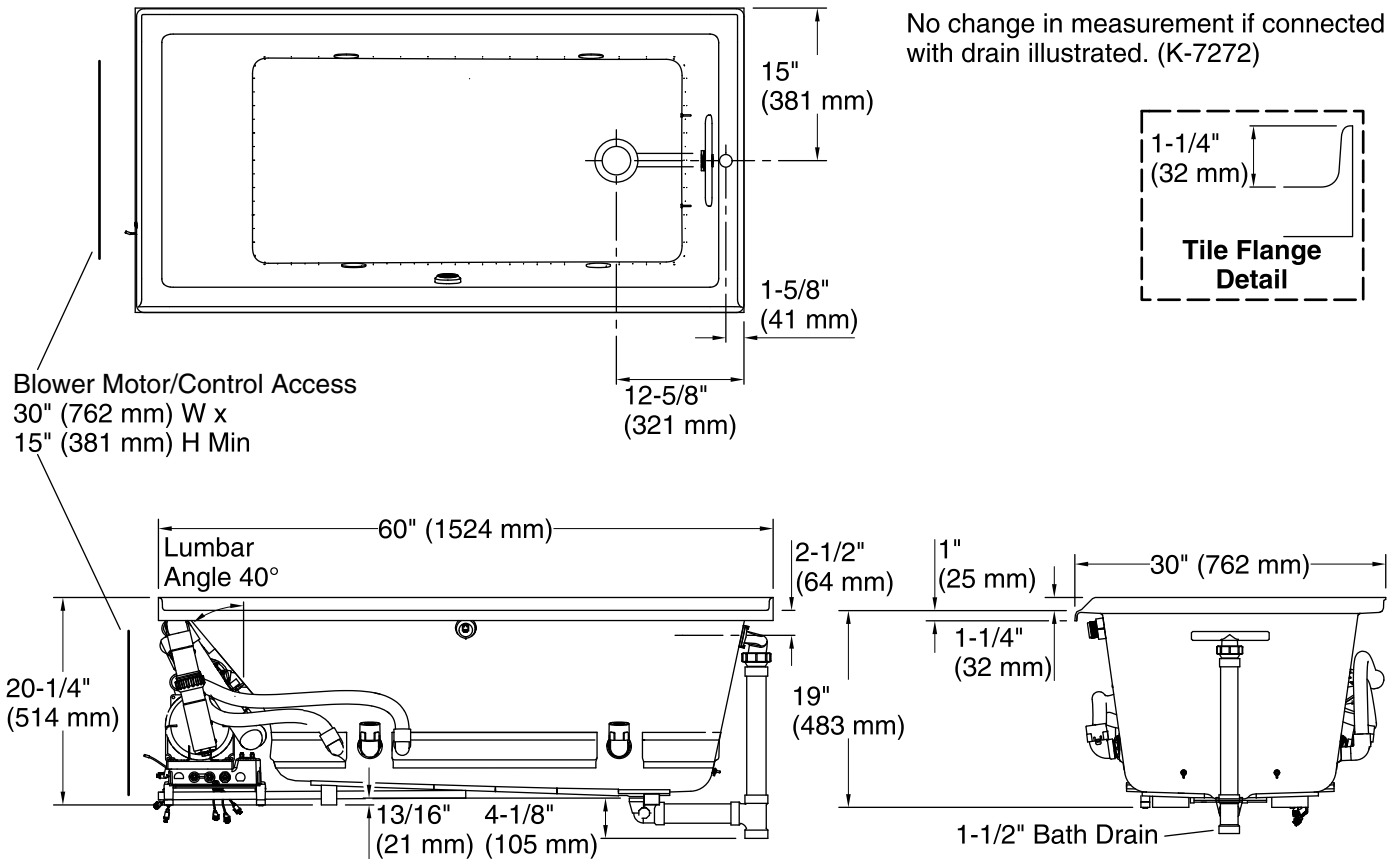
See website for detailed warranty information.

### Available Color/Finishes

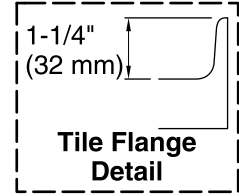
*Color tiles intended for reference only.*

Color	Code	Description
	0	White
	96	Biscuit
	47	Almond
	NY	Dune
	95	Ice™ Grey
	G9	Sandbar
	33	Mexican Sand™

No change in measurement if connected with drain illustrated. (K-7272)



Blower Motor/Control Access  
30" (762 mm) W x  
15" (381 mm) H Min



### Required Electrical Service

One dedicated circuit required, protected with Class A Ground-Fault Circuit-Interrupter (GFCI) or Residual Current Device (RCD).

Blower: 240 V, 15 A, 50/60 Hz

### Technical Information

All product dimensions are nominal.

Installation: 3-Wall Alcove

Drain location: Right

Basin area, bottom: 42-3/8" x 20" (1076 mm x 508 mm)

Basin area, top: 54-3/8" x 24-5/16" (1381 mm x 618 mm)

Weight: 100 lbs (45.4 kg)

Minimum floor load: 44 lbs/ft<sup>2</sup> (214.8 kg/m<sup>2</sup>)

Water depth: 15-1/16" (383 mm)

Water capacity: 59.8 gal (226.4 L)

Electrical component rating: Blower: 240 V, 15 A, 50/60 Hz, 300 W

Blower speed: Variable

Minimum flat for door: 2-1/2" (63 mm)

### Notes

Measure your actual product for rough-in details.

Install this product according to the installation instructions.

The hot water supply should be 70% of the capacity of the bath or greater. Installations will vary.

If relocating the blower motor, do not relocate or alter the PVC tee or coiled flexible tubing connected to the blower. Follow the blower relocation instructions exactly. Provide access for servicing the blower.

ADA compliant when installed to the specific requirements of these regulations.