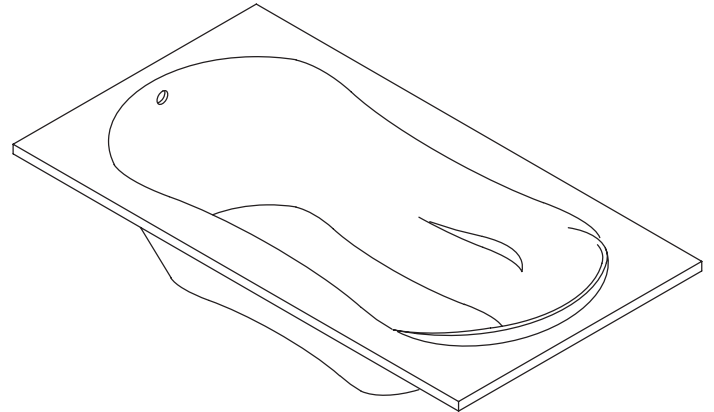


#### FEATURES

- 72" (182.9cm) x 36" (91.4cm) x 20-1/8" (51.1cm)
- Acrylic
- Drop-in or three wall alcove
- Molded lumbar supports and armrests
- Optional K-1283 separate apron
- Optional K-1491 removable pillow

## K-1159, K-1159-L/-R



#### CODES/STANDARDS APPLICABLE

Specified model meets or exceeds the following:

- ANSI Z124.1
- IAPMO/UPC
- State of Massachusetts

#### COLORS/FINISHES

- 0 White
- Other Refer to Fixtures Price Book for additional colors

#### Accessories:

- CP Polished Chrome
- PB Polished Brass

#### SPECIFIED MODEL:

Model	Description	Colors/Finishes	
K-1159	Bath, drop-in (shown)	<input type="checkbox"/> 0 White	<input type="checkbox"/> Other _____
K-1159-L	Bath, left drain, tile flange	<input type="checkbox"/> 0 White	<input type="checkbox"/> Other _____
K-1159-R	Bath, right drain, tile flange	<input type="checkbox"/> 0 White	<input type="checkbox"/> Other _____

Recommended Accessories			
K-11677	Drain	<input type="checkbox"/> CP	<input type="checkbox"/> PB

Optional Accessories			
K-1283	Separate apron with removable panel for front access	<input type="checkbox"/> 0 White	<input type="checkbox"/> Other _____
K-1491	Pillow	<input type="checkbox"/> 0 White	<input type="checkbox"/> Other _____

#### PRODUCT SPECIFICATION:

The bath shall be 72" (182.9cm) in length, 36" (91.4cm) in width, and 20-1/8" (51.1 cm) in height. Bath shall be made of acrylic, drop-in or three wall alcove installation. Bath shall have molded lumbar supports and armrests. Bath shall have optional K-1283 separate apron. Bath shall be Kohler Model K-1159-\_\_\_\_\_-\_\_\_\_\_.

# PROFLEX™ 7236

## PRODUCT INFORMATION

Fixture*:	basin area	top area	weight
Bathing well	55" (139.7cm) x 21" (53.3cm)	65" (165.1cm) x 26" (66cm)	52 lbs. (23.6kg)
	water depth	capacity	
To overflow	15" (38.1cm)	72 gal. (272.5L)	

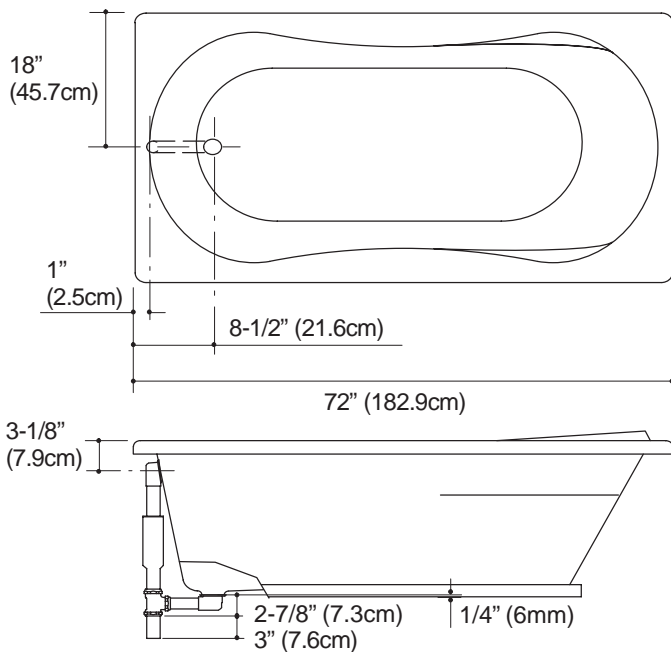
\* Approximate measurements for comparison only.

## INSTALLATION NOTES

Install this product according to the installation guide.

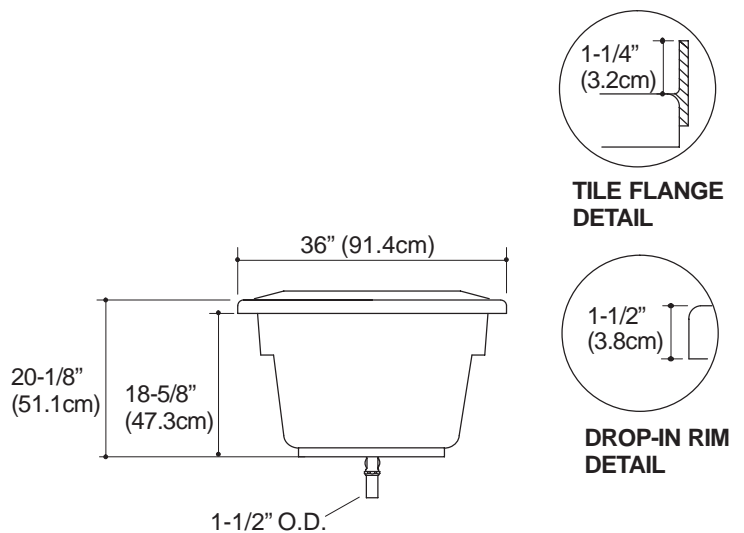
Floor support under bath must provide for a minimum of 80 lbs./square foot (390 Kg./square meter) loading.

The apron must be installed before the finish floor and wall materials are installed.



No change in measurements if connected with drain illustrated. (K-11677 or K-11677M)

Drop-in cut-out	70-1/2" (179.1cm) x 34-1/2" (87.6cm)
-----------------	--------------------------------------



## PRODUCT DIAGRAM