



**Escale®**  
 6' BubbleMassage™ Bath  
**K-11343-G**



**Features**

- Center drain.
- Integral lumbar support.
- Coordinates with other products in the Escale collection.
- 71-5/8" (1819 mm) x 35-5/8" (905 mm) x 24-1/8" (613 mm)

**Material**

- Acrylic

**Hydrotherapy**

- 122 BubbleMassage™ airjets. 18 levels of massage intensity.
- Zones of Control feature allows you to target massage to back, midsection, or feet.
- Automatic purge cycles remove residual water from air channels after use.
- Built-in 300 W heater.
- Lighted keypad control.

**Installation**

- Drop-in

**Recommended Accessories**

- K-1601 Bath/Whirlpool Footstop
- K-1676 Bath/Pillow
- K-1705 Whirlpool/BubbleMassage™ Remote Control
- K-18486-4 Roman Bath Filler
- K-7214 27" Cable Bath Drain
- K-7219 Bath Drain
- K-9498 3" Keypad Trim
- K-24916 Wireless Music Kit



**Codes/Standards**




- ASME A112.19.7/CSA B45.10
- CSA B45.5/IAPMO Z124
- ASTM E162
- ASTM E662
- UL 1795
- Greenguard UL 2818 - Gold
- CARB P2

**KOHLER® One-Year Limited Warranty**

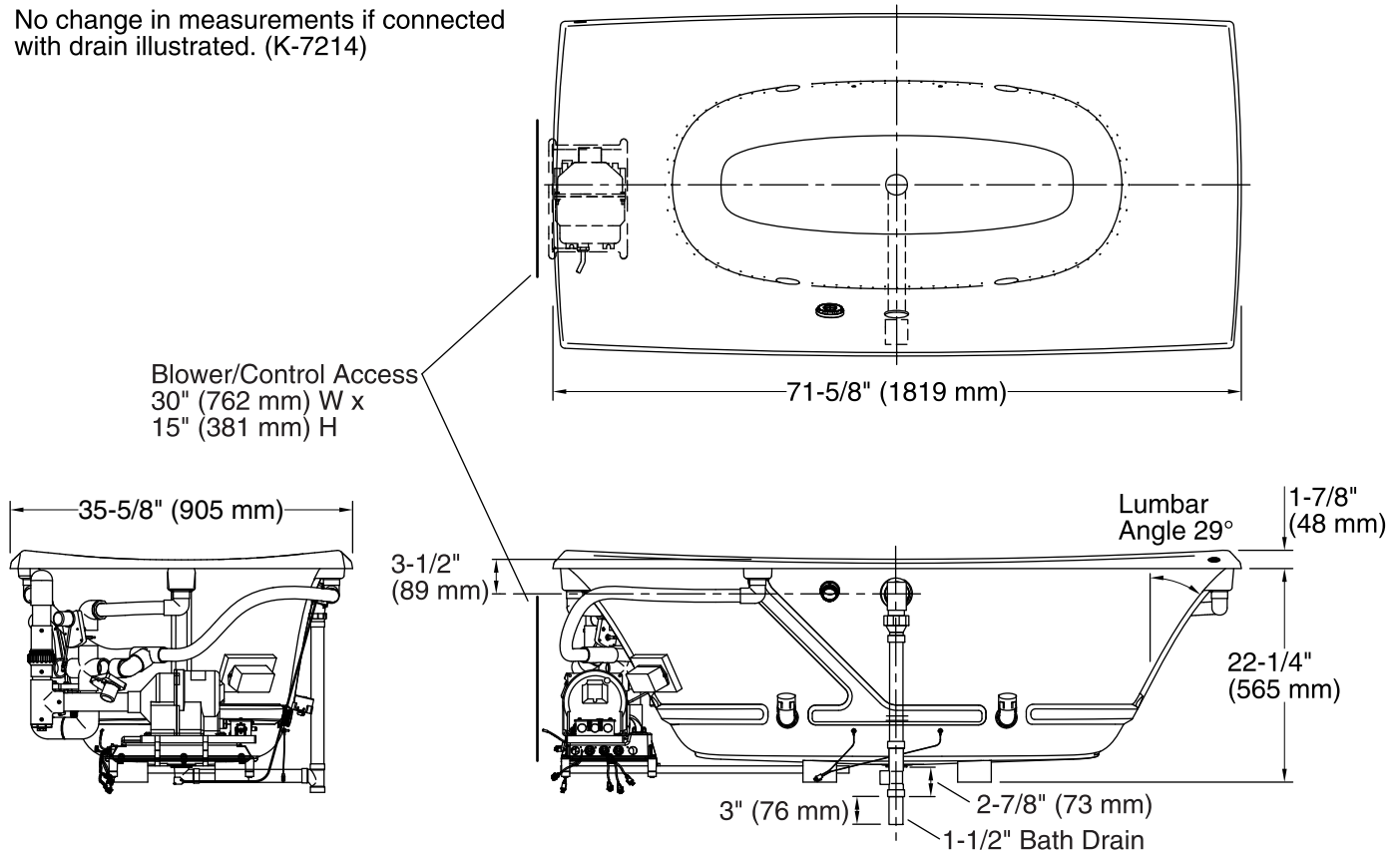
See website for detailed warranty information.

**Available Color/Finishes**

*Color tiles intended for reference only.*

Color	Code	Description
	0	White
	96	Biscuit
	47	Almond

No change in measurements if connected with drain illustrated. (K-7214)



## Required Electrical Service

One dedicated circuit required, protected with Class A Ground-Fault Circuit-Interrupter (GFCI) or Residual Current Device (RCD).

Blower: 240 V, 15 A, 50/60 Hz

## Technical Information

All product dimensions are nominal.

Installation: Drop-in  
 Drain location: Center  
 Basin area, bottom: 46-3/4" x 21-5/8" (1187 mm x 549 mm)  
 Basin area, top: 69-15/16" x 34-3/8" (1776 mm x 873 mm)  
 Weight: 130 lbs (59 kg)  
 Minimum floor load: 42 lbs/ft<sup>2</sup> (205.1 kg/m<sup>2</sup>)  
 Water depth: 16-1/2" (419 mm)  
 Water capacity: 71 gal (268.8 L)  
 Template: Drop-in, 1054544-7, required, included  
 Electrical component rating: Blower: 220-240 V, 5 A, 50/60 Hz, 300 W  
 Blower speed: Variable

## Notes

Measure your actual product for rough-in details.

Install this product according to the installation instructions.

The hot water supply should be 70% of the capacity of the bath or greater. Installations will vary.

This bath is designed for drop-in installation only. It is not suited for use in a three wall alcove with an overhead shower.