

Product Information

Applicable product:		
Integral apron, left drain	K-1113-LA	shown
Integral apron, right drain	K-1113-RA	not shown

Fixture*:	basin area	top area	weight
Bathing well	43" (109.2 cm) x 20-1/2" (52.1 cm)	53-1/2" (135.9 cm) x 32-1/8" (81.6 cm)	80 lbs (36 kg)
	water depth	capacity	
To overflow	15" (38.1 cm)	57 gal (215.9 L)	

* Approximate measurements for comparison only.

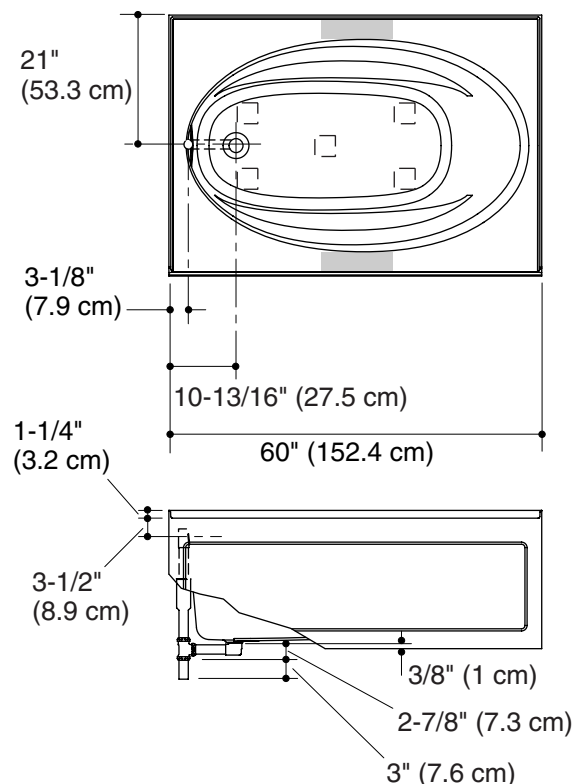
Installation Notes

Install this product according to the installation guide.

Floor support under the bath must provide for a minimum of 33 lbs/square foot (162 kg/square meter) loading.

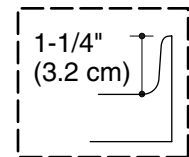
If installing a rim-mount faucet, make sure there is no interference with the drain overflow before drilling any holes. Consult local and national codes for minimum air gap requirements if installing a spout on the faucet deck.

Fixtures conforms to ANSI Standard Z124.1. All dimensions are nominal.



No change in measurements if connected with drain illustrated. (K-11677 or K-11677M)

Recommended faucet area



Tile Flange Detail

