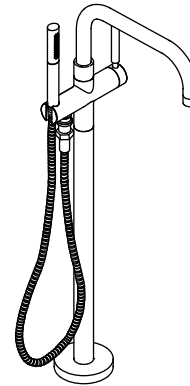


Features

- Brass construction
- Floor mount installation
- 12-1/16" (306 mm) spout reach
- Non-laminar flow
- Integral valve
- Includes handshower
- Includes aerator, hardware kit, and escutcheon
- Complements Purist® Suite

**FLOOR MOUNT BATH FILLER WITH HANDSHOWER
K-10129-4**



Codes/Standards Applicable

Specified model meets or exceeds the following:

- ASME A112.18.1/CSA B125.1
- ASSE 1014

Colors/Finishes

- CP: Polished Chrome

Specified Model

Model	Description	Colors/Finishes
K-10129-4	Floor-mount bath filler with handshower	<input type="checkbox"/> CP

Product Specification

The floor-mount bath filler shall be made of brass construction. Product shall be floor-mount installation. Product shall have 12-1/16" (306 mm) spout reach. Product shall have a non-laminar flow. Bath filler shall include handshower, aerator, hardware kit, and escutcheon. Product shall have an integral valve. Product shall complement Purist suite. Bath filler shall be Kohler Model K-10129-4-CP.

PURIST®

Installation Notes

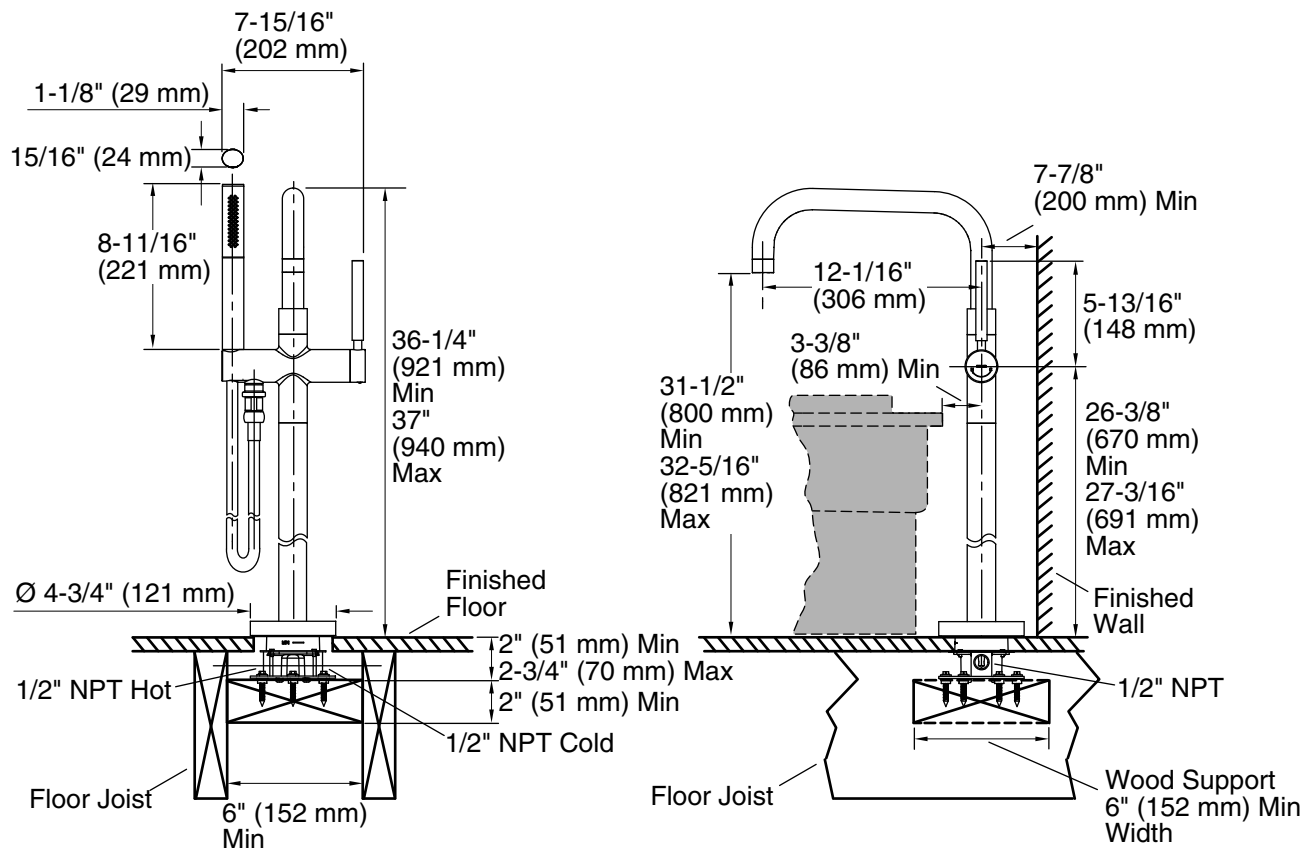
Install this product according to the installation guide.



WARNING: Risk of personal injury. Do not use the bath filler as a grab bar or support bar when entering or exiting the bath. The bath filler is not designed to support weight.

NOTICE: Adequate floor support is required. The wood support must be a minimum of 2" (51 mm) thick by 6" (152 mm) wide. **2x6 lumber is NOT adequate for this application.**

Consult local codes for the appropriate air gap requirements.



Product Diagram