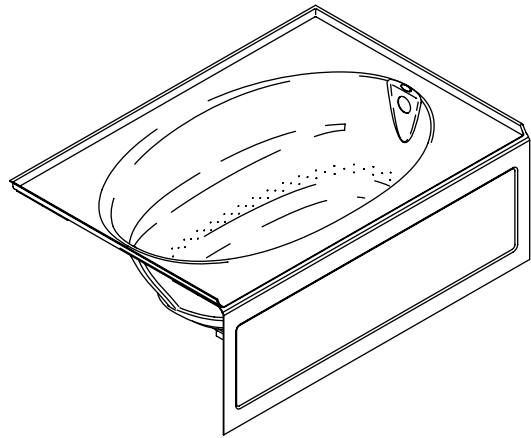


Features

- Acrylic
- Rectangular shape
- Integral apron with removable access panel
- 120 BubbleMassage™ airjets
- 1 hp blower motor with 300 W heater, and electronic back-lit user control
- Blower motor is supplied with a grounding-type plug-in cord
- Molded lumbar supports and armrests
- 60" (152.4 cm) x 42" (106.7 cm) x 21" (53.3 cm)

BATH WITH AIRJETS, INTEGRAL APRON

K-1112-GLA ALSO K-1112-GRA



Codes/Standards Applicable

Specified model meets or exceeds the following:

- ANSI Z124.1.2
- IAPMO/UPC IGC 171
- Underwriters Laboratories (UL)

Colors/Finishes

- 0: White
- Other: Refer to Price Book for additional colors/finishes

Accessories:

- CP: Polished Chrome
- Other: Refer to Price Book for additional colors/finishes

Specified Model

Model	Description	Colors/Finishes	
K-1112-GLA	Integral apron, left drain (not shown)	<input type="checkbox"/> 0	<input type="checkbox"/> Other _____
K-1112-GRA	Integral apron, right drain (shown)	<input type="checkbox"/> 0	<input type="checkbox"/> Other _____

Recommended Accessories			
K-7166-AF	Pop-up drain with tailpiece – above or through-the-floor installation OR	<input type="checkbox"/> CP	<input type="checkbox"/> Other _____
K-11677	Trip lever drain with tailpiece – through-the-floor installation	<input type="checkbox"/> CP	<input type="checkbox"/> Other _____

Product Specification

The acrylic bath with airjets shall be 60" (152.4 cm) in length, 42" (106.7 cm) in width, and 21" (53.3 cm) in height. Product shall have an integral apron with removable access panel. Product shall have a 1 hp blower motor with 300 W heater, and an electronic back-lit user control. Product shall include a blower motor which is supplied with a grounding-type plug-in cord. Bath shall feature 120 BubbleMassage airjets, molded lumbar supports, and molded armrests. Bath shall be rectangular in shape. Bath with airjets shall be Kohler Model K-1112-____-____.

WINDWARD™

Technical Information

Fixture*:	
Bathing well:	
Basin area bottom	43" (109.2 cm) x 24-5/8" (62.5 cm)
Basin area top	53-1/2" (135.9 cm) x 32-1/8" (81.6 cm)
Weight	120 lbs (55 kg)
To overflow	
Water depth	15" (38.1 cm)
Capacity	57 gal (215.9 L)
* Approximate measurements for comparison only.	

Drop-in cutout dimensions:	
58-1/2" (148.6 cm) x 40-1/2" (102.9 cm)	

Blower motor	Heater	V	Hz	A
1 Hp	300 W	120	60	5
Minimum access panel blower motor:				
20" (50.8 cm) W x 15" (38.1 cm) H			required	

Required Electrical Service

Dedicated circuit required, protected with a Class A Ground-Fault Circuit-Interrupter (GFCI):	
Pump/control	120 V, 5 A, 60 Hz
Locate the outlet behind the bath and within 24" (61 cm) of the pump.	

Installation Notes

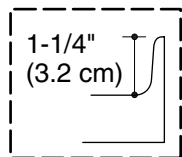
Install this product according to the installation guide.

Floor support under this must provide for a minimum of 36 lbs/square foot (174 kg/square meter) loading.

If installing a rim-mount faucet, make sure there is no interference with the drain overflow and circulating system before drilling any holes. Consult local and national codes for minimum air gap requirements if installing a spout on the faucet deck.

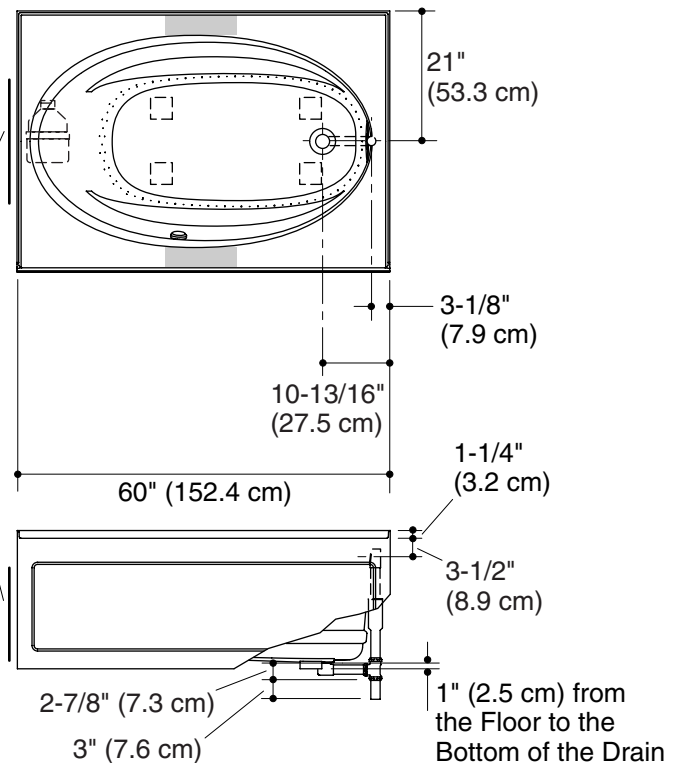
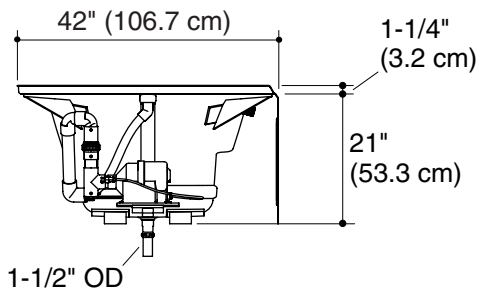
No change in measurements if connected with drain illustrated. (K-11677 or K-11677M)

 Recommended faucet area



Tile Flange Detail

Blower/Control Access
20" (50.8 cm) W x
15" (38.1 cm) H Min



Product Diagram