

Features

- Ceramic spout.
- Brushed nickel lever handle and valve.
- One-piece self-contained ceramic disc valve allows both volume and temperature control.
- Touch-activated drain with tailpiece.
- 4-1/2" (114 mm) spout reach.
- Single-hole mounting.
- 1.5 gal/min (5.7 l/min) maximum flow rate [max at 60 psi (4.14 bar)].



ADA

CSA B651

OBC

Codes/Standards

ASME A112.18.1/CSA B125.1

NSF 61

NSF 372

All applicable US Federal and State material regulations

DOE - Energy Policy Act 1992

EPA WaterSense®

ADA

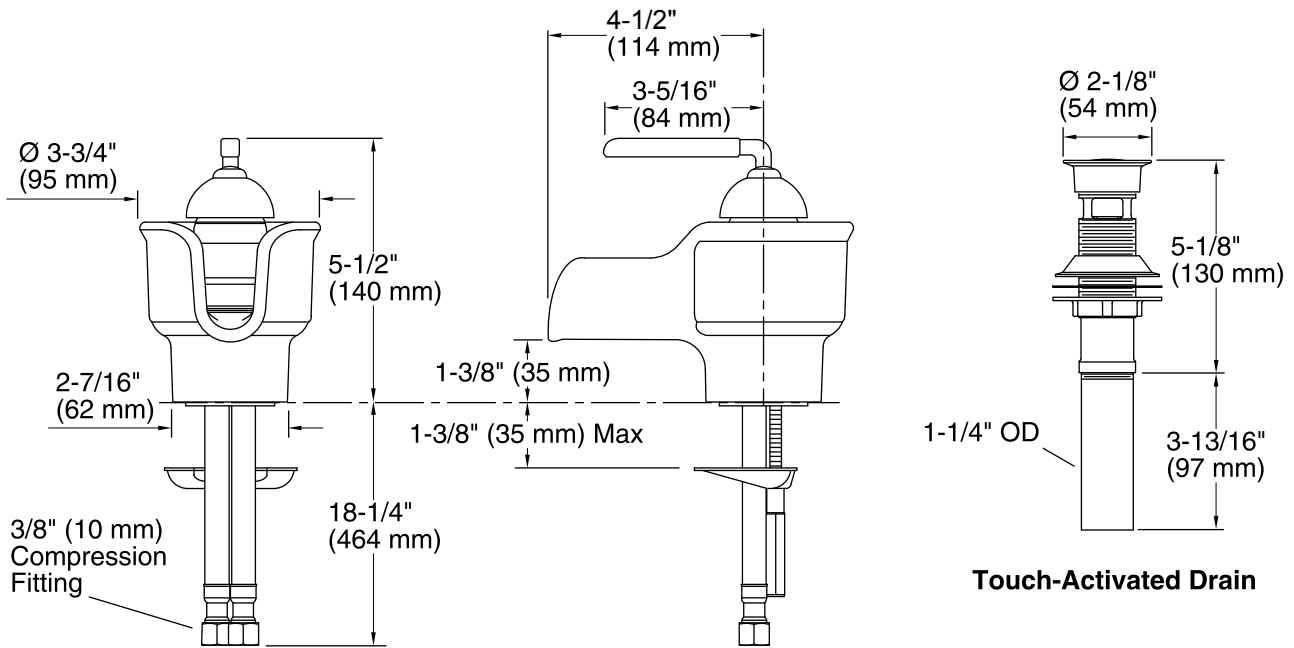
ICC/ANSI A117.1

CSA B651

OBC

KOHLER® Faucet Lifetime Limited Warranty

See website for detailed warranty information.



Technical Information

All product dimensions are nominal.

Drain included: YES
Drain tailpiece included: YES

Spout:

Spout reach: 4-1/2" (114 mm)
Handle clearance: 3-5/16" (84 mm)

Faucet:

Flow rate: 1.5 gal/min (5.7 l/min)
Pressure: 60 psi (4.1 bar)

Notes

Install this product according to the installation guide.

ADA, OBC, CSA B651 compliant when installed to the specific requirements of these regulations.