

Features

- Metal construction
- Intended for use with Rite-Temp® or HiFlow Rite-Temp® valves
- Variety of handle style options
- Available with 5-1/4" (13.3 cm) diverter bath spout with NPT or slip-fit connection

PRESSURE-BALANCING BATH AND SHOWER VALVE TRIM

K-T10276

ALSO K-T10277, K-10280, K-10281

ADA

Codes/Standards Applicable

Specified model meets or exceeds the following:

- ASME A112.18.1/CSA B125.1
- IAPMO/cUPC
- ADA



Colors/Finishes

- CP: Polished Chrome
- Other: Refer to Price Book for additional colors/finishes

Specified Model

Model	Description	Colors/Finishes	
K-T10276-4	Shower only trim*, sculpted lever handle, showerhead	<input type="checkbox"/> CP	<input type="checkbox"/> Other ____
K-T10276-4A	Shower only trim*, traditional lever handle, showerhead	<input type="checkbox"/> CP	<input type="checkbox"/> Other ____
K-T10277-4	Valve only trim*, sculpted lever handle	<input type="checkbox"/> CP	<input type="checkbox"/> Other ____
K-T10277-4A	Valve only trim*, traditional lever handle	<input type="checkbox"/> CP	<input type="checkbox"/> Other ____
K-10280-4	Sculpted NPT diverter bath spout	<input type="checkbox"/> CP	<input type="checkbox"/> Other ____
K-10280-4A	Traditional NPT diverter bath spout	<input type="checkbox"/> CP	<input type="checkbox"/> Other ____
K-10281-4	Sculpted slip-fit diverter bath spout	<input type="checkbox"/> CP	<input type="checkbox"/> Other ____
K-10281-4A	Traditional slip-fit diverter bath spout	<input type="checkbox"/> CP	<input type="checkbox"/> Other ____

*Rite-Temp valve must be ordered to complete faucet.

Product Specification

Rite-Temp pressure-balancing single-control bath and shower faucet trim shall be of brass construction. Shower trim shall include showerhead with arm and flange, and faceplate with handle. Valve only trim shall include faceplate with handle. Faucet trim shall be K-____-____-____ and Rite-Temp valve shall be K-304-____-NA OR K-306-KS-NA HiFlow Rite-Temp valve.

FORTÉ® RITE-TEMP®

Technical Information

Required Accessories		
K-304-K	Rite-Temp valve without stops, NPT connections OR	<input type="checkbox"/> NA
K-304-KS	Rite-Temp valve with stops, NPT connections OR	<input type="checkbox"/> NA
K-306-KS	HiFlow Rite-Temp valve with stops, NPT connections OR	<input type="checkbox"/> NA
K-304-KP	Rite-Temp valve with PVC connections	<input type="checkbox"/> NA

Recommended Accessories	
HiFlow Rite-Temp thin wall installation kit*	88526
* Required when using the K-306-KS valve in a fiberglass or acrylic installation.	

Optional Accessories	
Forté deep roughing-in kit for Rite-Temp valve (lever handles)	1025388

Install this product according to the installation guide.

Install Rite-Temp valve according to valve installation guide. Avoid cross-flow conditions. Do not install shut-off device on either valve outlet.

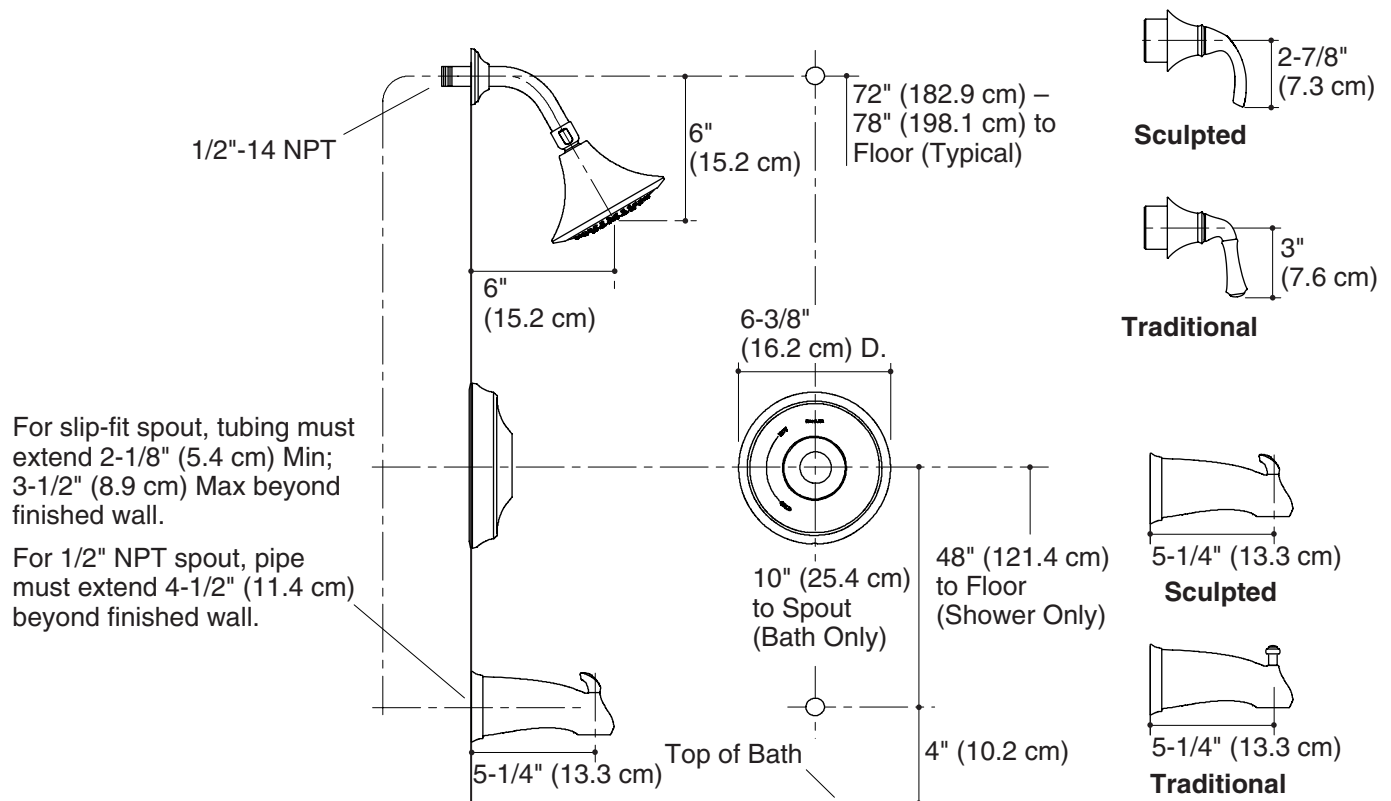
Cap shower outlet if deck-mounted spout, diverter, or handshower is connected to the spout outlet.

Install straight pipe or tube drop of 7" (17.8 cm) to 18" (45.7 cm) with single elbow between valve and wall-mount spout.

Installation Notes



WARNING: Risk of damage to the K-306-KS valve assembly. When using the K-306-KS valve in a fiberglass or acrylic installation, use the thin wall installation kit (88526).



Product Diagram