

**LAVATORY FAUCET
K-10269**

ADA

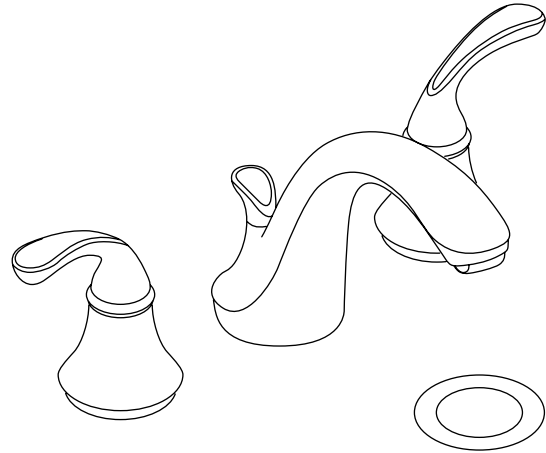
Features

- Metal construction
- Flexible connections for easy installation
- Brass valve bodies
- Pop-up drain with lift rod and tailpiece
- ADA compliant lever handles
- Vandal-resistant aerator
- Red and blue index rings
- Quarter-turn washerless ceramic disc valves
- 5-1/8" (13 cm) spout length
- 2.2 gallons (8.3 L) per minute

Codes/Standards Applicable

Specified model meets or exceeds the following:

- ASME 112.18.1/CSA B125
- Energy Policy Act of 1992
- ADA
- NSF 61
- ICC/ANSI A117.1



Colors/Finishes

- CP: Polished Chrome

Specified Model

Model	Description	ADA	ADA
K-10269-4	Lavatory faucet with sculpted lever handle and metal drain (shown)	<input type="checkbox"/> CP	
K-10269-4A	Lavatory faucet with traditional lever handle and metal drain		<input type="checkbox"/> CP

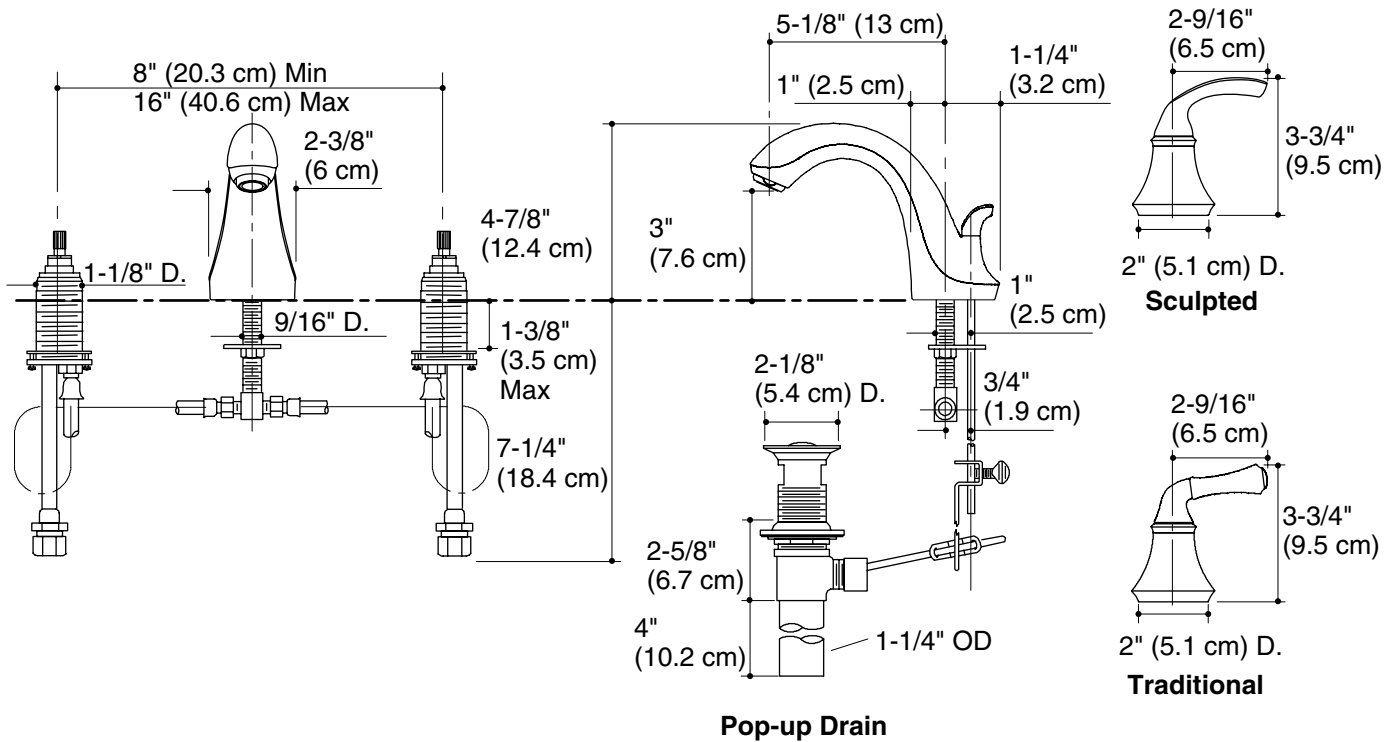
Product Specification

Two-handle widespread lavatory faucet shall be of metal construction. Faucet shall have a vandal-resistant aerator and red and blue index rings. Faucet shall feature quarter-turn washerless ceramic disc valves. The faucet shall be of 2.2 gallons (8.3 L) per minute. Product shall include flexible connections for easy installations, 5-1/8" (13 cm) spout length, pop-up drain with lift rod and tailpiece, and lever handles. Faucet shall be Kohler Model K-_____-_____.

FORTÉ®

Installation Notes

Install this product according to the installation guide.



Product Diagram