



# Iron Plains®

33" oval drop-in / undermount / vessel bathroom sink  
K-20213-PAG

## Features

- Elongated oval basin
- No faucet holes; requires wall- or counter-mount faucet
- With overflow
- Enameled Aspen Green interior and painted Aspen Green underside

## Material

- KOHLER® enameled cast iron
- Acid-resistant enamel finish

## Installation

- Vessel, drop-in, or undermount

## Recommended Products/Accessories

- K-23726 Drain treatment
- K-23725 Cast iron cleaner

## Included Components

- 1193643 Basin clamps



ADA

CSA B651

## Codes/Standards

ASME A112.19.1/CSA B45.2  
ADA  
ICC/ANSI A117.1  
CSA B651  
IAPMO Certification

## KOHLER® Enameled Cast Iron Kitchen and Bathroom Sink Lifetime Limited Warranty

See website for detailed warranty information.

## Available Colors/Finishes

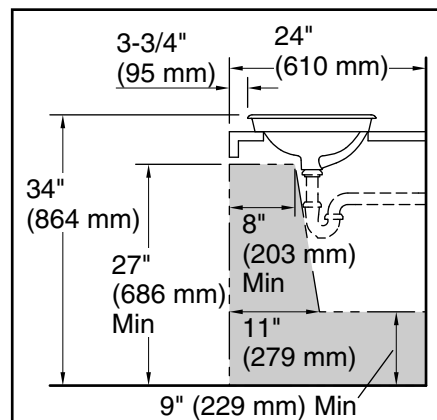
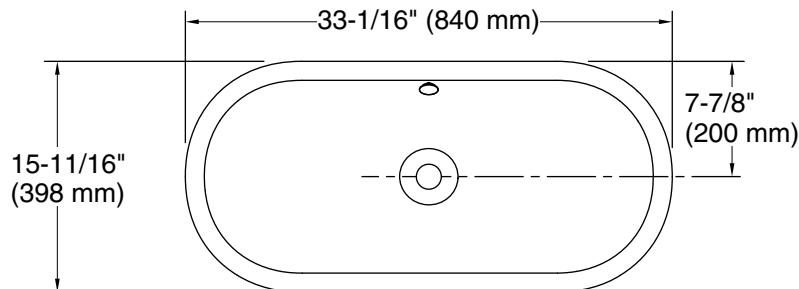
*Color tiles intended for reference only.*

### Color Code Description

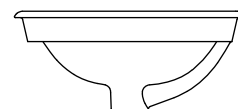
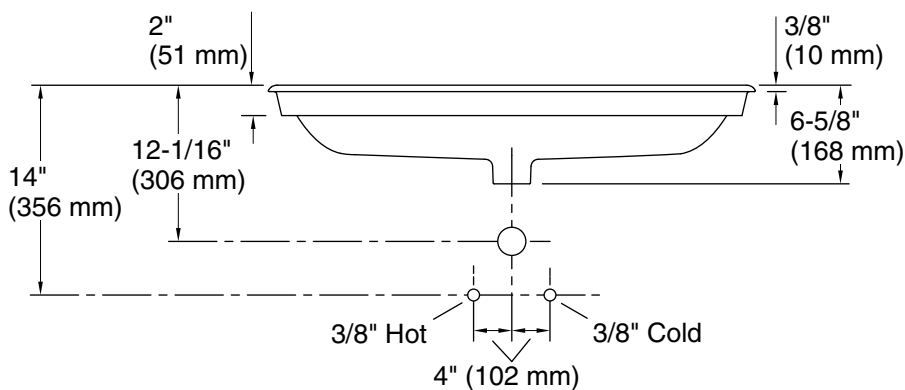
	42	Aspen Green
---	----	-------------



**Iron Plains®**  
33" oval drop-in / undermount / vessel bathroom sink  
**K-20213-PAG**



**Recommended ADA Installation**



**Technical Information**

All product dimensions are nominal.

- Bowl configuration: Single
- Bowl area (Only): Length: 31-13/16" (808 mm)  
Width: 14-7/16" (367 mm)  
Bowl depth: 4-11/16" (120 mm)  
Water depth: 3-1/4" (83 mm)
- With overflow: Yes
- Drain hole: 1-3/4" (44 mm)
- Template: 1319049-7, required, included

**Notes**

Install this product according to the installation instructions.

**NOTICE:** Countertop manufacturer or cutter must use the current product template available at [www.kohler.com](http://www.kohler.com) or by calling 1-800-4KOHLER. Kohler Co. is not responsible for cutout errors when the incorrect cut-out template is used.

ADA, CSA B651 compliant when installed to the specific requirements of these regulations.