

### Features

- Sleek, exposed roller design allows for effortless opening and closing of the sliding panel
- Frameless design emphasizes glass and creates a sleek, minimalist look
- Controlled Close® innovative soft-close with double-dampening technology eliminates slamming and brings door to a secure close
- Back-to-back 11-1/2" (292 mm) vertical handles
- CleanCoat®+ glass coating creates a hydrophobic barrier that repels water, soap scum, and residue, saving time and protecting shower doors 10 times longer than original CleanCoat. (Based on 2021 internal wear/abrasion testing using a microfiber cloth.)
- Coordinates with other products in the Composed® collection

### Material

- Frameless, heavy 3/8" (10 mm) thick Crystal Clear tempered glass door and in-line panel
- Anodized aluminum prevents rust and corrosion

### Installation

- 78" (1981 mm) high, with a lofty 74-7/8" (1902 mm) minimum head clearance
- Fits opening widths 56-1/8"–59-7/8" (1426 mm–1521 mm)
- 3-3/4" (95.25 mm) width adjustment
- Out-of-plumb adjustability simplifies installation
- Door can be installed to open to the left or right to suit your bathroom layout
- For residential use only
- Not for use in hospitality
- Not for use with cast iron shower bases

### Recommended Products/Accessories

K-23723 Faucet cleaner



### Codes/Standards

ANSI Z97.1  
CAN/CGSB-12.1  
CPSC 16CFR 1201

### KOHLER® One-Year Limited Warranty

See website for detailed warranty information.

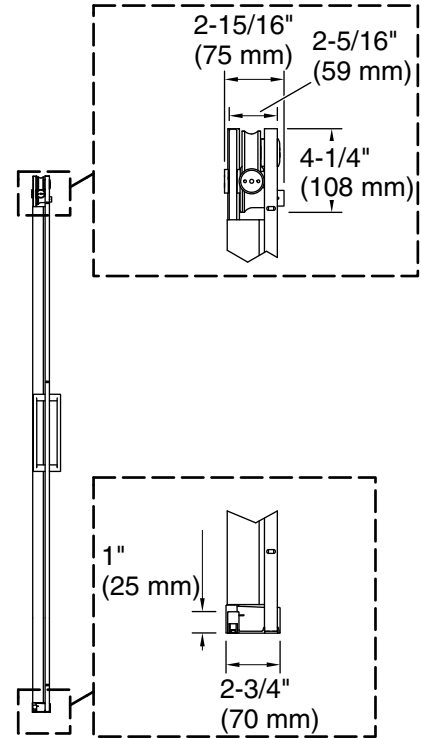
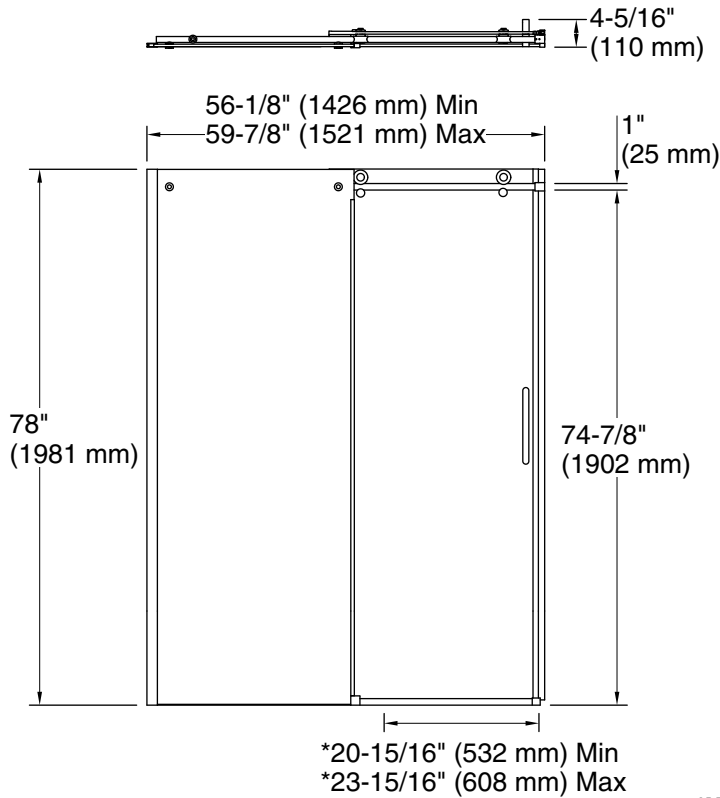
### Available Colors/Finishes

*Color tiles intended for reference only.*

Color	Code	Description
	SHP	Bright Polished Silver
	BL	Matte Black
	BNK	Anodized Brushed Nickel

### Available Glass Options

Code	Description
L	Crystal Clear



### \*Walk-through

### Technical Information

All product dimensions are nominal.

Installation type: For shower base installation

Base-To-Wall 3/8" (10 mm)

Radius – Max:

Glass coating: CleanCoat+

### Notes

The vertical opening should be a minimum of 80" (2032 mm) to allow for installation clearance.