

Features

- Integral apron creates a clean, finished look
- Low step-over height allows easy entry and exit
- Round overflow
- Integral lumbar support
- Textured bottom surface

Material

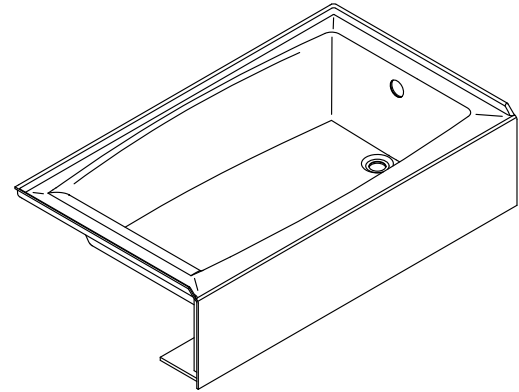
- Acrylic

Installation

- Alcove
- Integral flange
- Right drain

Recommended Products/Accessories

- K-7213 27" Cable Bath Drain
- K-7214 27" Cable Bath Drain
- K-11660 Bath Drain
- K-23726 Drain treatment
- K-23732 Tub & shower cleaner



ADA

Codes/Standards

- CSA B45.5/IAPMO Z124
- ASTM E162
- ASTM E662
- ADA
- ICC/ANSI A117.1


KOHLER® Plastic Baths and Shower Bases Lifetime Limited Warranty

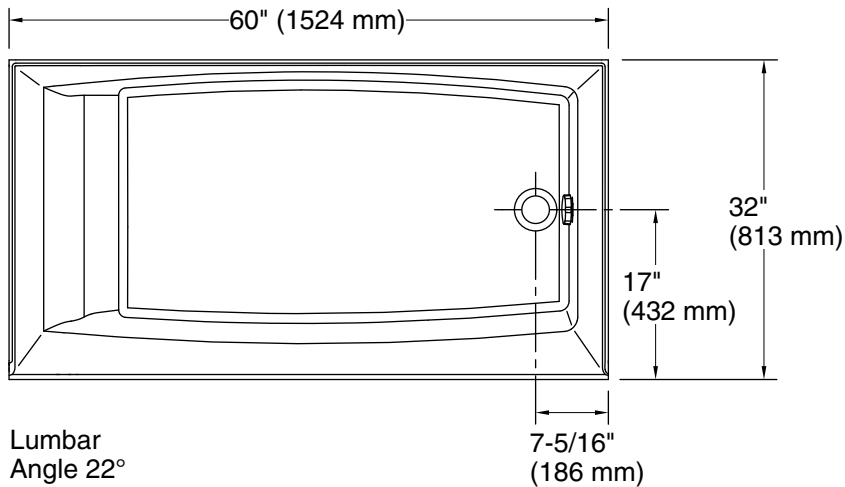
See website for detailed warranty information.

Available Colors/Finishes

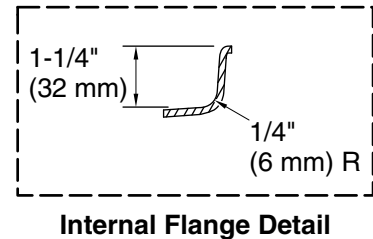
Color tiles intended for reference only.

Color Code Description

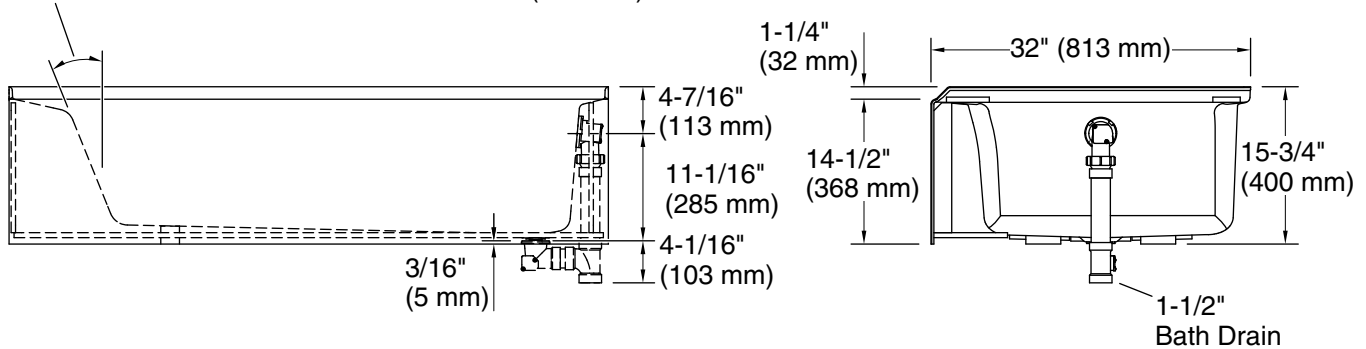
	0	White
---	---	-------



No change in measurements if connected with drain illustrated. (K-7213)



Lumbar Angle 22°



Technical Information

All product dimensions are nominal.

Installation:	Three-wall alcove
Drain location:	Right
Basin area, bottom:	45-1/16" x 24-3/8" (1145 mm x 619 mm)
Basin area, top:	53-1/16" x 26-3/8" (1348 mm x 670 mm)
Weight:	61 lbs (27.7 kg)
Minimum floor load:	36 lbs/ft ² (175.8 kg/m ²)
Water depth:	9-1/8" (232 mm)
Water capacity:	40.6 gal (153.7 L)
Minimum flat for door:	2-7/8" (73 mm)

Notes

Measure your actual product for rough-in details.

Install this product according to the installation instructions.

The hot water supply should be 70% of the capacity of the bath or greater. Installations will vary.

ADA compliant when installed to the specific requirements of these regulations.