

Features

- Freestanding design creates a striking focal point in your bathing area
- 18" (457 mm) depth offers a deep soaking experience
- Integral lumbar support
- Slotted overflow allows for deep soaking
- Center toe-tap drain color-matched to the bath

Material

- Acrylic

Installation

- Freestanding
- Center drain

Included Components

1381626-0 Drain Assembly, White



Codes/Standards

CSA B45.5/IAPMO Z124
ASTM E162
ASTM E662
IAPMO Certification

KOHLER® Plastic Baths and Shower Bases Lifetime Limited Warranty

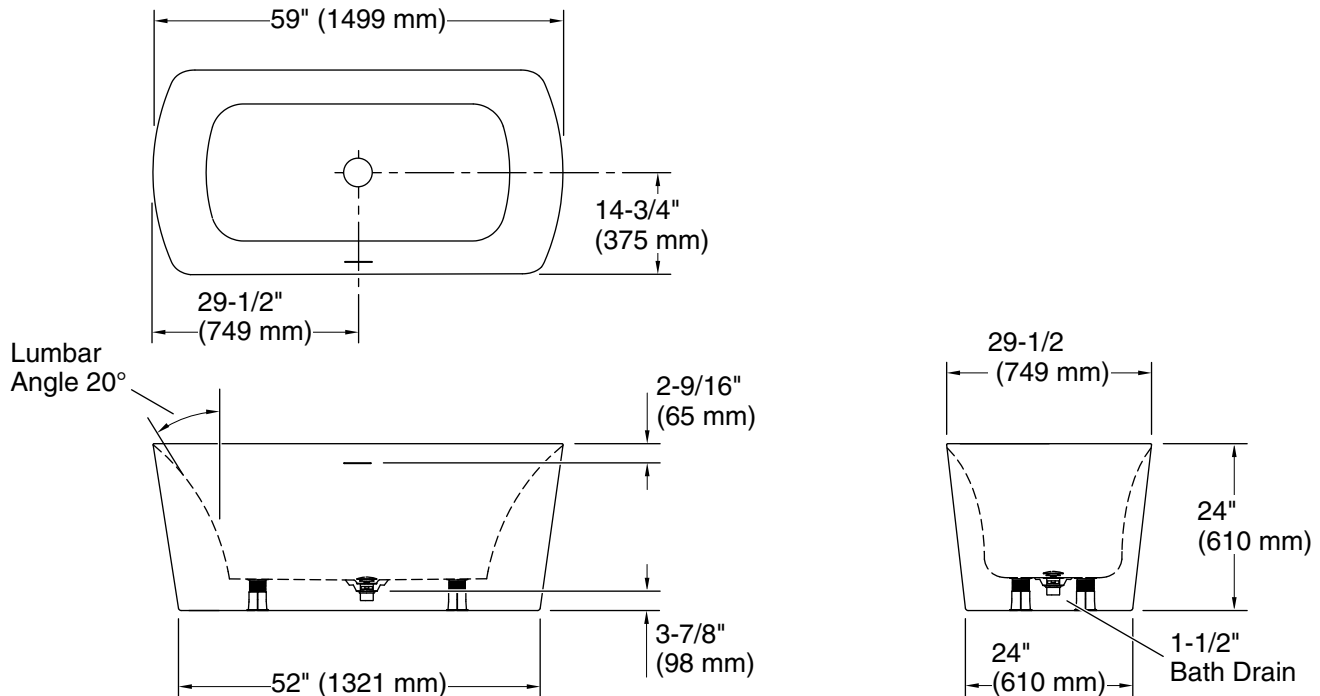
See website for detailed warranty information.

Available Colors/Finishes

Color tiles intended for reference only.

Color	Code	Description
-------	------	-------------

	0	White
---	---	-------



Technical Information

All product dimensions are nominal.

Drain location:	Center
Basin area, bottom:	43-11/16" x 19-5/8" (1110 mm x 498 mm)
Basin area, top:	58-5/16" x 28-3/4" (1481 mm x 731 mm)
Weight:	90 lbs (40.8 kg)
Water depth:	15-13/16" (402 mm)
Water capacity:	68 gal (257.4 L)

Notes

Measure your actual product for rough-in details.

Install this product according to the installation instructions.

The hot water supply should be 70% of the capacity of the bath or greater. Installations will vary.