

Features

- 36" (914 mm) minimum base cabinet width.
- Large/medium bowls.
- 9-1/2" (241 mm) depth provides generous workspace.
- Smart Divide® feature offers a lower bowl divider that increases workspace versatility.
- Versatile design allows large bowl to be installed on the right or left.
- No faucet holes; requires wall- or deck-mount faucet.
- Matte finish offers rich, dimensional color.

Material

- KOHLER Neoroc® composite is durable and built to withstand day-to-day cleaning tasks.
- Solid color throughout the sink.
- Heat-resistant up to 750°F.
- Scratch-, stain-, chip-, and thermal-shock-resistant.

Installation

- Undermount.
- Easy to install in a one-person, single-day project.

Recommended Products/Accessories

K-8801 Sink drain and strainer with tailpiece
K-8799 Sink drain and strainer basket
K-23726 Drain treatment
K-23730 Neoroc® cleaner

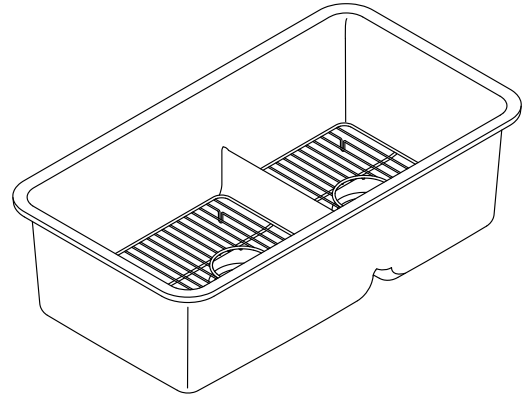
Optional Products/Accessories

K-11352 Disposal Flange with Stopper
K-9000 P-Trap

Included Components

Additional Components:

5198
5655



Codes/Standards

CSA B45.5/IAPMO Z124

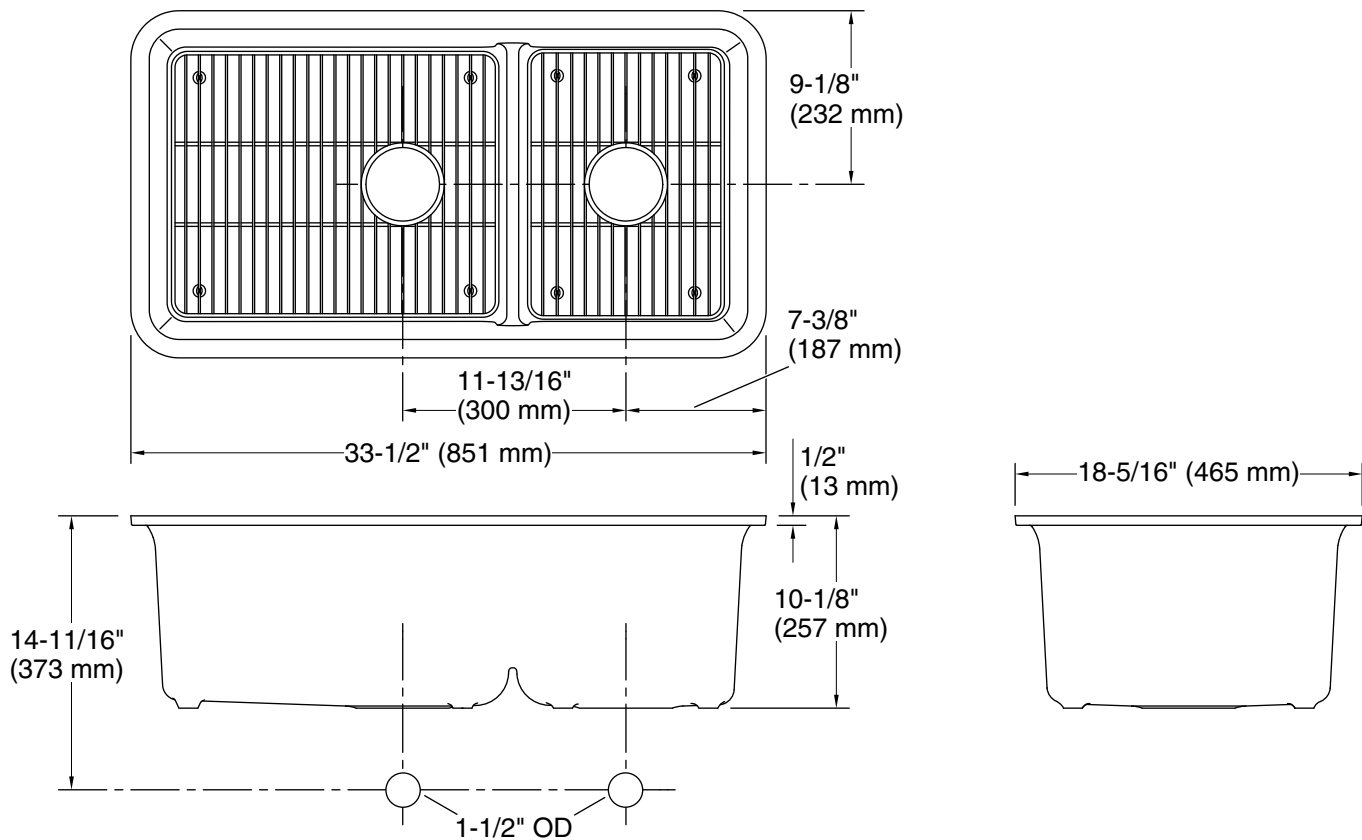
KOHLER® Neoroc® Sinks Lifetime Limited Warranty

See website for detailed warranty information.

Available Colors/Finishes

Color tiles intended for reference only.

Color	Code	Description
	CM6	
	CM7	
	CM8	
	CM1	
	CM2	
	CM3	
	CM4	



Technical Information

All product dimensions are nominal.

Bowl configuration: Off-set Large/small

Installation: Undermount

Min. base cabinet width: 36" (914 mm)

Bowl area (Left):
Length: 18-5/16" (465 mm)
Width: 15-3/8" (391 mm)
Bowl depth: 9-1/2" (241 mm)
Water depth: 4-1/2" (114 mm)

Bowl area (Right):
Length: 11-5/8" (295 mm)
Width: 15-3/8" (391 mm)
Bowl depth: 9-1/2" (241 mm)
Water depth: 4-1/2" (114 mm)

With overflow: No

Drain hole: 3-7/8" (98 mm)

Template: Undermount, 1256394-7, required, included

Notes

Install this product according to the installation instructions.