

### Features

- Single-function handshower delivers a full, consistent spray, regardless of water pressure
- Full Coverage with Katalyst technology delivers a drenching spray experience, ideal for rinsing shampoo from hair
- MasterClean™ sprayface features an easy-to-clean surface that withstands mineral buildup
- Optimized sprayface for maximum performance
- 1.75 gpm (6.6 lpm) maximum flow rate at 80 psi (5.5 bar)
- Part of the Occasion bathroom faucet and accessory collection

### Material

- Premium material construction for durability and reliability
- KOHLER® finishes resist corrosion and tarnishing

### Technology

- Katalyst® air-induction technology infuses water with air, creating bigger drops for a more powerful spray

### Installation

- G 1/2 inlet and outlet
- Requires shower hose (sold separately)
- Bracket or slidebar required for wall-mount installation
- Deck-mount holder required for deck-mount installation

### Water Conservation & Rebates

- This product can help a building earn Water Efficiency points in LEED® Green Building Rating System

### Recommended Products/Accessories

- K-9514 60" Shower Hose
- K-8593 72" Shower Hose
- K-26309 Wall-mount handshower holder
- K-26310 Wall-mount handshower holder with supply elbow and check valve
- K-26312 32-1/8" slidebar
- K-26313 40" slidebar
- K-26314 31-1/2" deluxe slidebar with integrated water supply
- K-23723 Faucet cleaner



### Codes/Standards



ASME A112.18.1/CSA B125.1  
DOE - Energy Policy Act 1992  
EPA WaterSense®  
California Energy Commission (CEC)

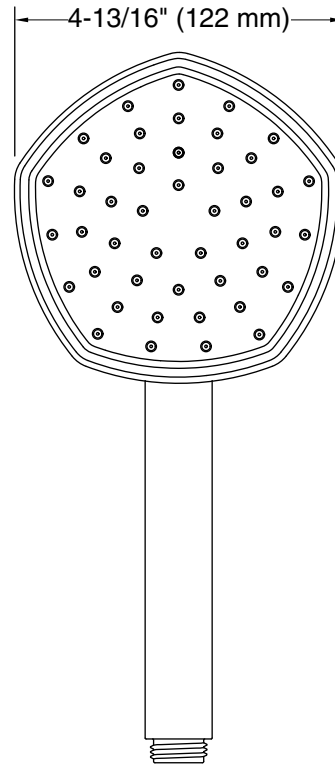
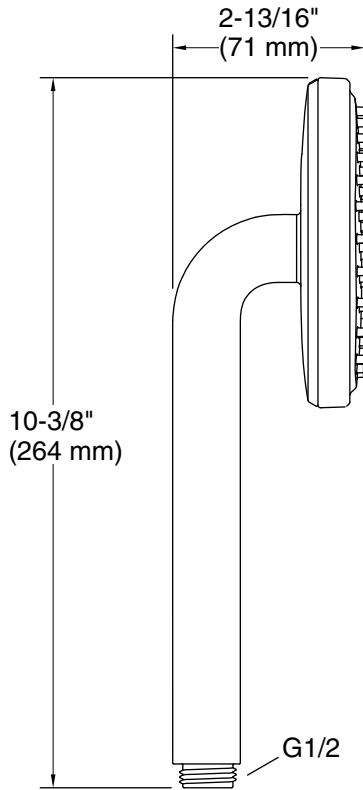
### KOHLER® Faucet Lifetime Limited Warranty

See website for detailed warranty information.

### Available Colors/Finishes

*Color tiles intended for reference only.*

Color	Code	Description
	BV	Vibrant® Brushed Bronze
	TT	Vibrant Titanium



### Technical Information

All product dimensions are nominal.

#### Handshower:

Rated maximum flow: 1.75 gal/min (6.6 l/min)  
Pressure: 80 psi (5.5 bar)

### Notes

For use with automatic compensating valves rated at 1.75 gal/min (6.6 l/min) or less.