

### Features

- Column lets you customize your shower with a showerhead and handshower.
- Single-function showerhead and handshower provide superior spray coverage.
- 1.5 gpm (5.7 lpm) maximum flow rate showerhead/handshower allows you to save water without sacrificing performance or coverage.
- Variable-flow lever lets you adjust from 1.5 gpm (5.7 lpm) down to 0.5 gpm (1.9 lpm) water pause for greater conservation during your shower routine.
- Silicone showerhead and handshower sprayfaces are easy to clean.
- Slidebar bracket allows you to adjust height and angle of handshower.
- Diverter at base of column makes for easy toggling between handshower and showerhead.

### Material

- Premium metal shower column for durability and reliability.
- KOHLER finishes resist corrosion and tarnishing.
- Hose is a durable, flexible polymer blend with soft-touch finish for a hassle-free drape.

### Technology

- Katalyst® air-induction technology infuses water with air, creating bigger drops for a more powerful spray.

### Installation

- Wall-mount.
- For use in shower-only installations.
- Installs in less than 60 minutes without changes to in-wall plumbing (subject to condition of existing installation).
- May require additional service parts based on installation type (see installation guide for details).
- Includes an adapter that will fit with most installations but may require K-1194630, K-1187917 or K-1194302.

### Recommended Products/Accessories

K-23723 Faucet cleaner

### Included Components

Additional Components:

20998  
20999  
21049  
45906



ADA

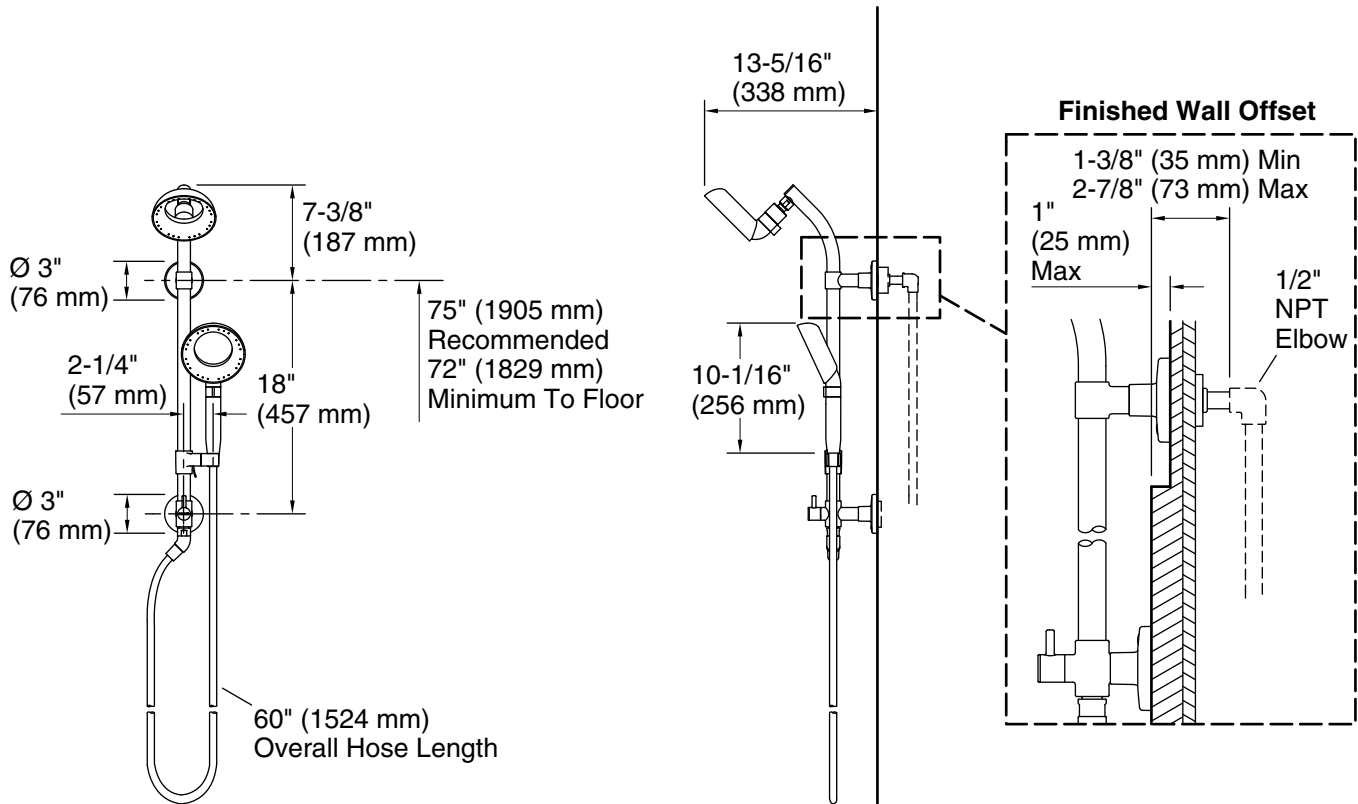
OBC

### Codes/Standards

ASME A112.18.1/CSA B125.1  
DOE - Energy Policy Act 1992  
EPA WaterSense®  
California Energy Commission (CEC)  
ADA  
ICC/ANSI A117.1  
OBC

### KOHLER® Faucet Lifetime Limited Warranty

See website for detailed warranty information.



### Technical Information

All product dimensions are nominal.

#### Handshower:

Rated maximum flow: 1.5 gal/min (5.7 l/min)

Pressure: 45 psi (3.1 bar)

#### Showerhead/Body Spray:

Rated maximum flow: 1.5 gal/min (5.7 l/min)

Pressure: 45 psi (3.1 bar)

### Notes

Install this product according to the installation instructions.

ADA, OBC compliant when installed to the specific requirements of these regulations.