

Features

- No faucet holes; requires wall- or counter-mount faucet
- Brass drain and color-matched brass drain cover
- With overflow
- Rectangular basin
- No faucet holes; requires counter-mount faucet with lift rod

Material

- Vitreous china

Installation

- Undermount



ADA

CSA B651

OBC

Codes/Standards

ASME A112.19.2/CSA B45.1

ADA

ICC/ANSI A117.1

CSA B651

OBC

KOHLER® One-Year Limited Warranty

See website for detailed warranty information.

Available Colors/Finishes

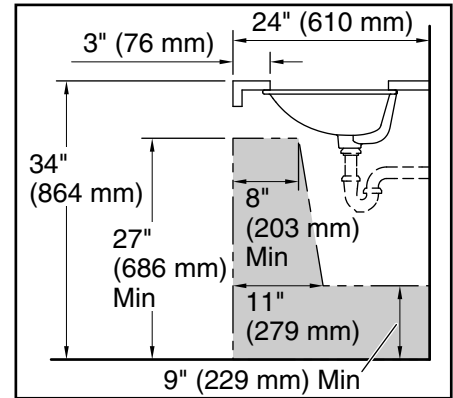
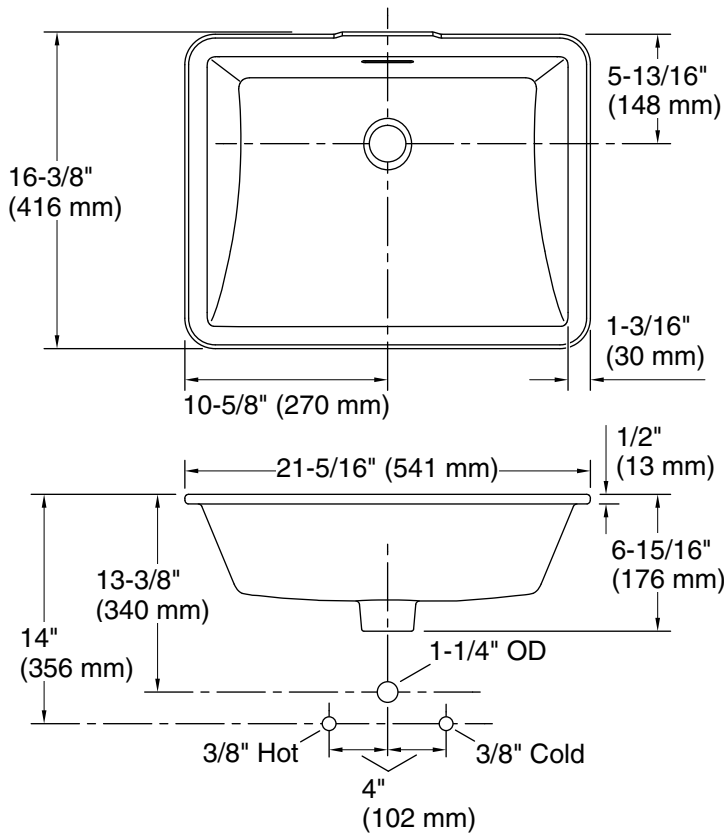
Color tiles intended for reference only.

Color	Code	Description
-------	------	-------------

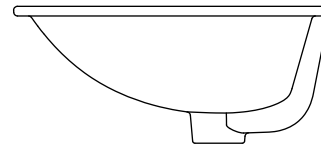


0

White



Recommended ADA Installation



Technical Information

All product dimensions are nominal.

Bowl area (Only): Length: 19" (482 mm)
Width: 13-7/8" (352 mm)
Bowl depth: 5-1/8" (130 mm)

Drain hole: 1-3/4" (45 mm)

Template: 1483028-7, required, included

Notes

Install this product according to the installation instructions.

ADA, OBC, CSA B651 compliant when installed to the specific requirements of these regulations.